

Diameter:

400 mm

R09_-40AP_-ES25C-05B09



Nominal data according to standard IEC 60034 (max. load):

Phase	1~
Nominal voltage	230 V
Nominal voltage range	200-253 V
Frequency	50-60 Hz
Input power	135 W
Input current	1.05 A
Nominal speed	1080 RPM
Min. ambient temperature	-25 °C
Protection class	IP54
Insulation class	130

ErP data according to EU regulation 327/2011:

Overall efficiency	41.6 %
Measurement category	A
Efficiency category	static
Efficiency grade N	53.4
Variable speed drive	INTEGRATED
Power input	140 W
Air flow	2709 m ³ /h
Pressure drop	67 Pa
Rotational speed	1079 RPM
Specific ratio	1.00

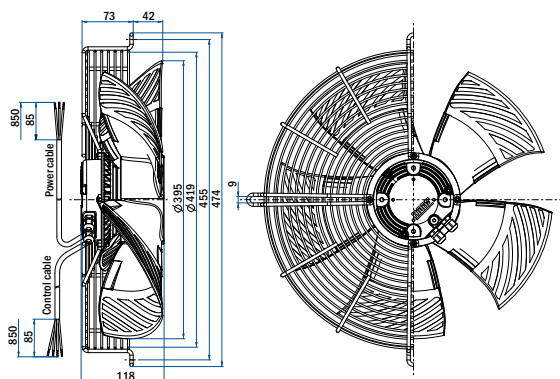
General notes

Connection diagram: 0302-0-0008	See section Connection diagrams
Guard grills & wall-plates	See section Accessories
Standards compliance	See introduction page

Dimensions and fan ordering information

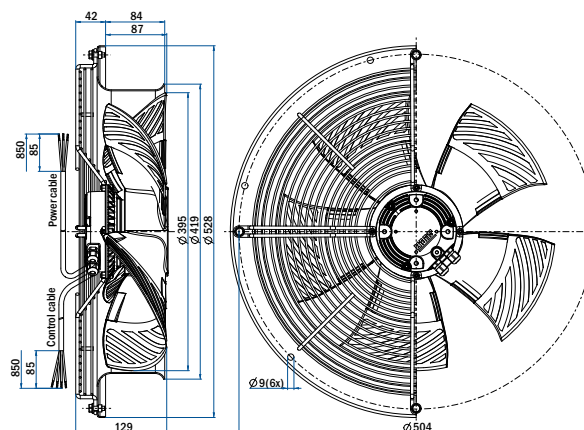
Airflow direction - sucking

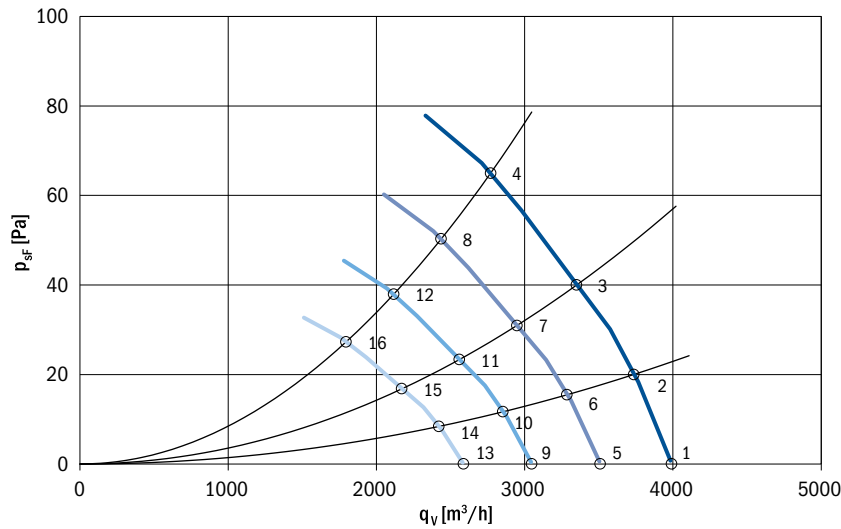
Type: R09R-40APS-ES25C-05B09
Code: 0309-4-3004
Weight: 4.1 kg



Airflow direction - sucking

Type: R09P-40APS-ES25C-05B09
Code: 0309-4-3005
Weight: 6.4 kg





Aerodynamic characteristic:

- measured in full bell mouth without guard grill
- installation category A according to ISO 5801

Sound power level:

- measured on pressure side
- fan mounted in full bell mouth without guard grill
- measured according to ISO 3741; installation type A

The values given may vary according to actual installation in the unit.

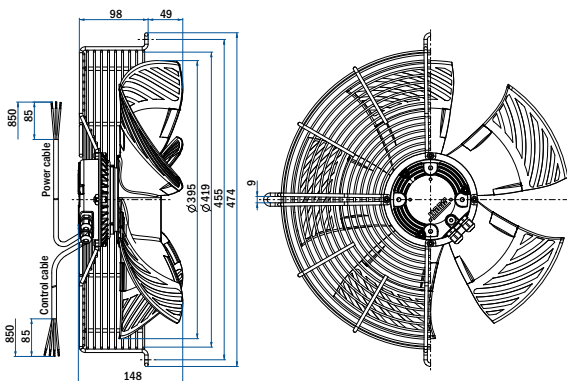
Definition of symbols

U [V]	Supply voltage
f [Hz]	Frequency
n [RPM]	Fan speed
q_v [m³/h]	Air flow
p_{sf} [Pa]	Pressure drop
P_e [W]	Power input
I [A]	Current
L_{WA} [dB (A)]	Sound power level A weighted
T_{a max} [°C]	Max. ambient temperature

	U [V]	f [Hz]	n [RPM]	q _v [m³/h]	p _{sf} [Pa]	P _e [W]	I [A]	L _{WA out} [dB (A)]	T _{a max} [°C]
1	230	50	1080	3990	0	108	0.87	65	60
2	230	50	1080	3735	20	120	0.94	64	60
3	230	50	1080	3350	40	130	1.02	61	60
4	230	50	1080	2770	65	135	1.04	60	60
5	230	50	950	3510	0	74	0.59	62	60
6	230	50	950	3285	15	82	0.64	60	60
7	230	50	950	2947	31	88	0.69	57	60
8	230	50	950	2437	50	92	0.71	56	60
9	230	50	825	3048	0	48	0.39	58	60
10	230	50	825	2853	12	53	0.42	56	60
11	230	50	825	2559	23	58	0.45	53	60
12	230	50	825	2116	38	60	0.46	52	60
13	230	50	700	2586	0	29	0.24	53	60
14	230	50	700	2421	8	33	0.26	51	60
15	230	50	700	2171	17	35	0.28	49	60
16	230	50	700	1795	27	37	0.28	48	60



Type: R09R-40APB-ES25C-05B09
Code: 0309-4-3012
Weight: 4.3 kg



Type: R09P-40APB-ES25C-05B09
Code: 0309-4-3013
Weight: 6.6 kg

