

R09_-3330H_-4M-4259

Diameter:

330 mm

Nominal data according to standard EN 60335:

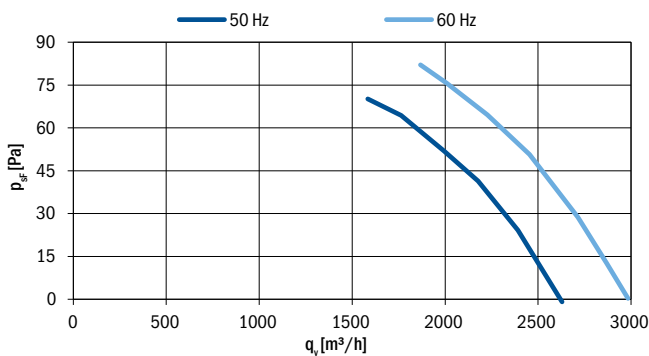
Phase	1~
Nominal voltage	230 V
Frequency	50/60 Hz
Rated power input	120/150 W
Rated current	0.55/0.67 A
Rated speed	1350/1510 RPM
Min. ambient temperature	-30 °C
Max. ambient temperature	70/70 °C
Sound power level A weighted	70/74 dB (A)
Condensator	4 µF/450 V
Connection	terminal box
Insulation class	155
Protection class	IP54

ErP data according to EU regulation 327/2011:

Is not subject to the EU regulation 327/2011.

Power input lower than 125 W.

Aerodynamic characteristic

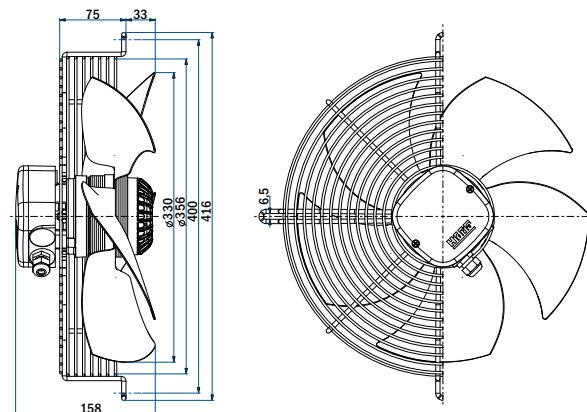


Fan characteristic measured in full bell mouth with guard grill.



Fan with guard grill

Airflow Direction	Type	Code	Weight (kg)
Sucking	R09R-3330HA-4M-4259	0309-4-1127	3.5
Blowing	R09R-3330HP-4M-4259	On request	



Fan with plate

Airflow Direction	Type	Code	Weight (kg)
Sucking	R09P-3330HA-4M-4259	On request	
Blowing	R09P-3330HP-4M-4259	On request	

Fan without guard grill

Airflow Direction	Type	Code	Weight (kg)
Sucking	R09E-3330HA-4M-4259	On request	
Blowing	R09E-3330HP-4M-4259	On request	

General notes

Connection diagrams:

Sucking 0301-1-0043 See section
Blowing 0301-1-0044 Connection diagrams

Guard grills & wall-plates See section Accessories

Standards compliance See introduction page