

Diameter:

315 mm

R09_-3130H_-ES25C-01A04



Nominal data according to standard EN 60335:

Phase	1~
Nominal voltage	230V
Nominal voltage range	230 V
Frequency	50-60Hz
Input power	120 W
Input current	1.0 A
Nominal speed	1650 RPM
Min. ambient temperature	-25 °C
Protection class	IP44
Insulation class	130

ErP data according to EU regulation 327/2011:

Is not subject to the EU regulation 327/2011.

Power input lower than 125 W.

General notes

Connection diagram: 0302-1-0000	See section Connection diagrams
Guard grills & wall-plates	See section Accessories
Standards compliance	See introduction page

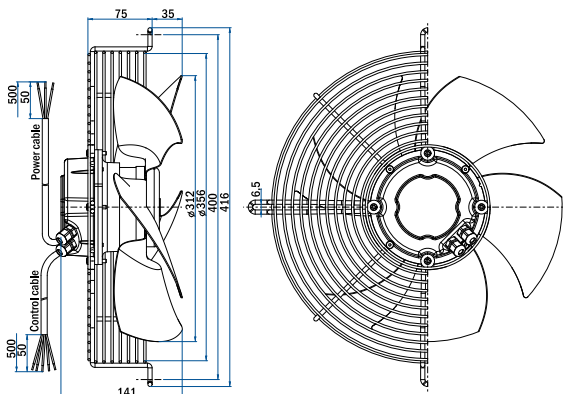
Dimensions and fan ordering information

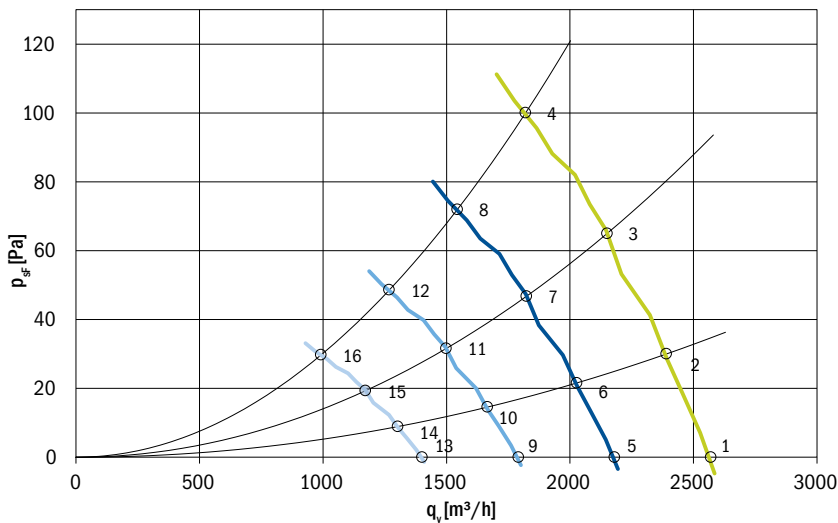
Airflow direction - sucking

Type: R09R-3130HS-ES25C-01A04
Code: 0309-4-2002
Weight: 3.3kg

Airflow direction - sucking

Type: R09P-3130HS-ES25C-01A04
Code: On request
Weight:





Aerodynamic characteristic:

- measured in full bell mouth without guard grill
- installation category A according to ISO 5801

Sound power level:

- measured on pressure side
- fan mounted in full bell mouth without guard grill
- measured according to ISO 3741; installation type A

The values given may vary according to actual installation in the unit.

Definition of symbols

- U [V]** Supply voltage
- f [Hz]** Frequency
- n [RPM]** Fan speed
- q_v [m³/h]** Air flow
- p_{sF} [Pa]** Pressure drop
- P_e [W]** Power input
- I [A]** Current
- L_{WA} [dB (A)]** Sound power level A weighted
- T_{a max} [°C]** Max. ambient temperature

	U [V]	f [Hz]	n [RPM]	q _v [m³/h]	p _{sF} [Pa]	P _e [W]	I [A]	L _{WA} out [dB (A)]	T _{a max} [°C]
1	230	50	1650	2570	0	84	0.69	66	65
2	230	50	1650	2390	30	99	0.80	65	65
3	230	50	1650	2150	65	112	0.88	64	65
4	230	50	1650	1820	100	123	0.96	64	65
5	230	50	1400	2181	0	53	0.46	62	65
6	230	50	1400	2028	22	66	0.52	61	65
7	230	50	1400	1824	47	71	0.57	60	65
8	230	50	1400	1544	72	77	0.63	60	65
9	230	50	1150	1791	0	31	0.27	57	65
10	230	50	1150	1666	15	37	0.32	56	65
11	230	50	1150	1498	32	41	0.34	55	65
12	230	50	1150	1268	49	45	0.37	55	65
13	230	50	900	1402	0	18	0.16	51	65
14	230	50	900	1304	9	20	0.17	50	65
15	230	50	900	1173	19	23	0.20	49	65
16	230	50	900	993	30	24	0.20	49	65



Type: R09R-3130HB-ES25C-01A04
Code: On request
Weight:



Type: R09P-3130HB-ES25C-01A04
Code: On request
Weight:

