

Diameter:

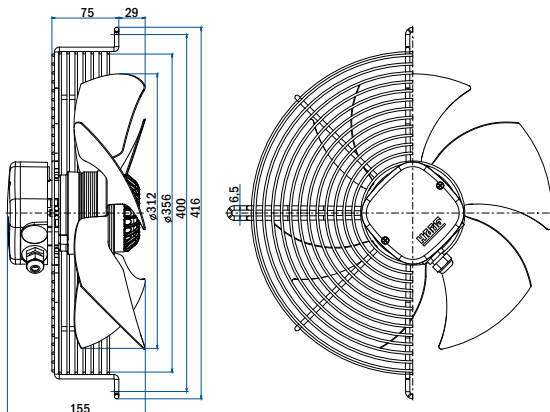
**315 mm**

**R09\_-3130H\_-4T-3524**



### Fan with guard grill

Airflow Direction	Type	Code	Weight (kg)
Sucking	R09R-3130HA-4T-3524	0309-4-1039	3.4
Blowing	R09R-3130HP-4T-3524	On request	



### Fan with plate

Airflow Direction	Type	Code	Weight (kg)
Sucking	R09P-3130HA-4T-3524	On request	
Blowing	R09P-3130HP-4T-3524	On request	

### Fan without guard grill

Airflow Direction	Type	Code	Weight (kg)
Sucking	R09E-3130HA-4T-3524	On request	
Blowing	R09E-3130HP-4T-3524	On request	

#### Nominal data according to standard EN 60335:

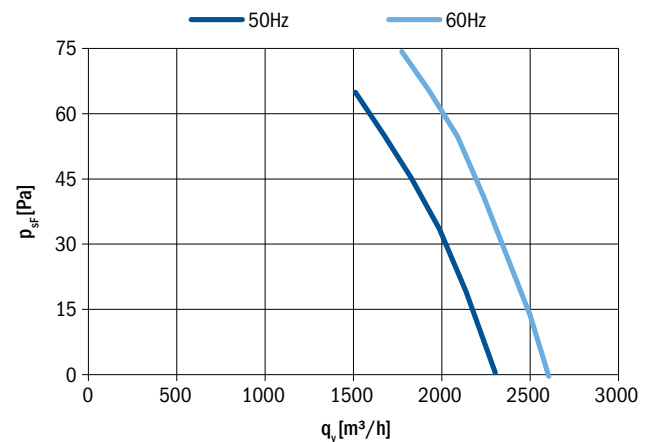
Phase	3~
Nominal voltage	400/230 V
Frequency	50/60 Hz
Rated power input	100/120 W
Rated current	0.23/0.41/0.22/0.39 A
Rated speed	1340/1490 RPM
Min. ambient temperature	-30 °C
Max. ambient temperature	55 °C
Sound power level A weighted	69/73 dB (A)
Connection	terminal box
Insulation class	155
Protection class	IP54

#### ErP data according to EU regulation 327/2011:

**Is not subject to the EU regulation 327/2011.**

Power input lower than 125 W.

### Aerodynamic characteristic



Fan characteristic measured in full bell mouth with guard grill.

#### General notes

Connection diagrams:

Sucking 0301-1-0049 See section  
Blowing 0301-1-0049 Connection diagrams

Guard grills & wall-plates See section Accessories

Standards compliance See introduction page