

**R09\_-3030H\_-4M-2543**

**Diameter:**

**300 mm**

**Nominal data according to standard EN 60335:**

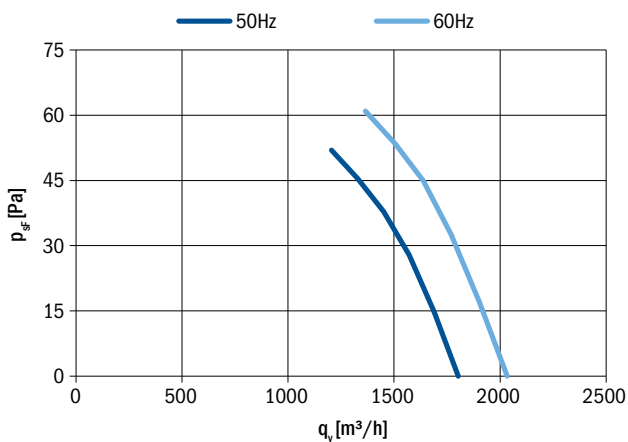
Phase	1~
Nominal voltage	230 V
Frequency	50/60 Hz
Rated power input	65/90 W
Rated current	0.30/0.40 A
Rated speed	1400/1500 RPM
Min. ambient temperature	-30 °C
Max. ambient temperature	70 °C
Sound power level A weighted	66/71 dB (A)
Condensator	2 µF/450 V
Connection	terminal box
Insulation class	155
Protection class	IP54

**ErP data according to EU regulation 327/2011:**

**Is not subject to the EU regulation 327/2011.**

Power input lower than 125 W.

**Aerodynamic characteristic**

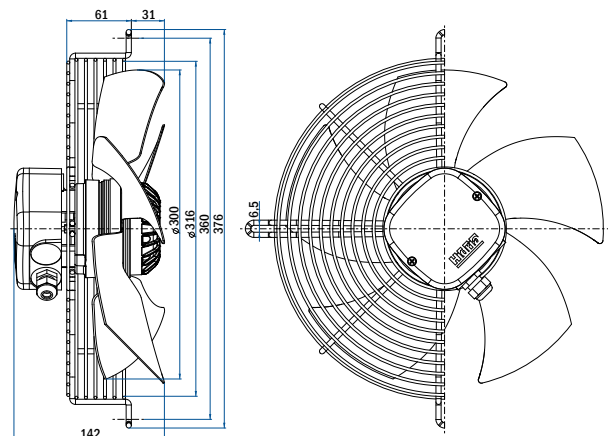


Fan characteristic measured in full bell mouth with guard grill.



**Fan with guard grill**

Airflow Direction	Type	Code	Weight (kg)
Sucking	R09R-3030HA-4M-2543	0309-4-1112	3.0
Blowing	R09R-3030HP-4M-2543	0309-4-1050	



**Fan with plate**

Airflow Direction	Type	Code	Weight (kg)
Sucking	R09P-3030HA-4M-2543	0309-4-1025	4.5
Blowing	R09P-3030HP-4M-2543	0309-4-1078	

**Fan without guard grill**

Airflow Direction	Type	Code	Weight (kg)
Sucking	R09E-3030HA-4M-2543	On request	
Blowing	R09E-3030HP-4M-2543	On request	

**General notes**

Connection diagrams:

Sucking 0301-1-0043 See section  
Blowing 0301-1-0044 Connection diagrams

Guard grills & wall-plates See section Accessories

Standards compliance See introduction page