

R09_-2525_-4M-2516

Diameter:

250 mm

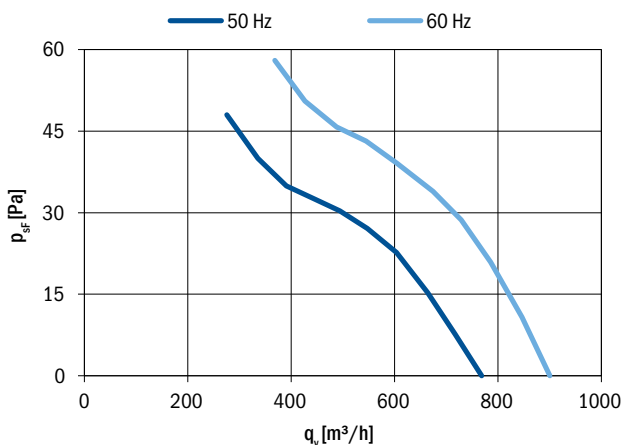
Nominal data according to standard EN 60335:

Phase	1~
Nominal voltage	230 V
Frequency	50/60 Hz
Rated power input	35/44 W
Rated current	0.16/0.18 A
Rated speed	1430/1680 RPM
Min. ambient temperature	-30 °C
Max. ambient temperature	70 °C
Sound power level A weighted	59/61 dB (A)
Condensator	1.5 µF/450 V
Connection	cabie
Insulation class	155
Protection class	IP44

Is not subject to the EU regulation 327/2011.

Power input lower than 125 W.

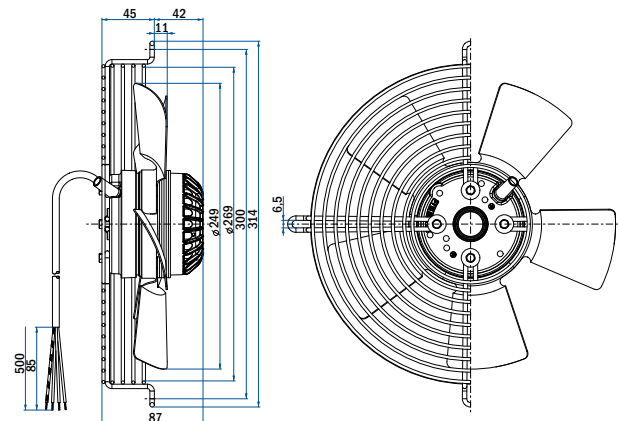
Aerodynamic characteristic



Fan characteristic measured in full bell mouth with guard grill.

Fan with guard grill

Airflow Direction	Type	Code	Weight (kg)
Sucking	R09R-2525A-4M-2516	0309-4-0199	2.1
Blowing	R09R-2525P-4M-2516	0309-4-0217	



Fan with plate

Airflow Direction	Type	Code	Weight (kg)
Sucking	R09P-2525A-4M-2516	On request	
Blowing	R09P-2525P-4M-2516	On request	

Fan without guard grill

Airflow Direction	Type	Code	Weight (kg)
Sucking	R09E-2525A-4M-2516	On request	
Blowing	R09E-2525P-4M-2516	On request	

General notes

Connection diagrams:

Sucking 0301-1-0026 See section
Blowing 0301-1-0002 Connection diagrams

Guard grills & wall-plates See section Accessories

Standards compliance See introduction page