

Diameter:

250 mm

R09_-2525_-2M-3539



Nominal data according to standard EN 60335:

Phase	1~
Nominal voltage	230 V
Frequency	50/60 Hz
Rated power input	95/130 W
Rated current	0.44/0.58 A
Rated speed	2700/2950 RPM
Min. ambient temperature	-30 °C
Max. ambient temperature	65 °C
Sound power level A weighted	72/73 dB (A)
Condensator	2 µF/450 V
Connection	cable
Insulation class	155
Protection class	IP44

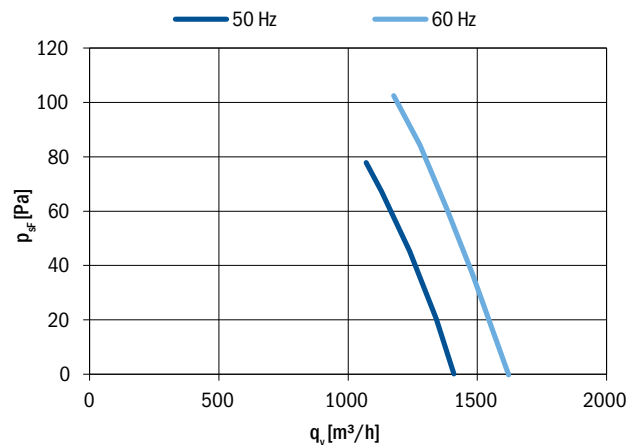
Is not subject to the EU regulation 327/2011.

Power input lower than 125 W.

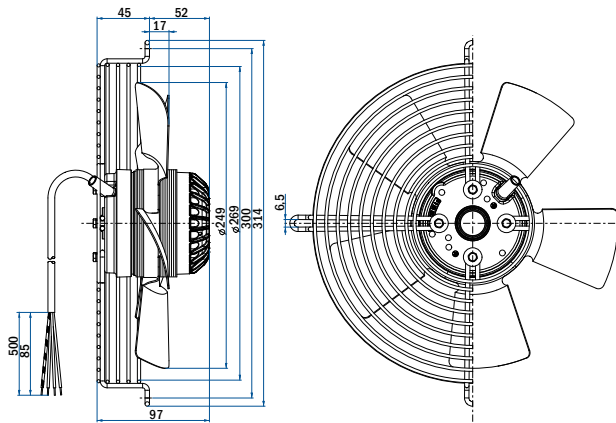
Fan with guard grill

Airflow Direction	Type	Code	Weight (kg)
Sucking	R09R-2525A-2M-3539	0309-4-0198	2.5
Blowing	R09R-2525P-2M-3539	On request	

Aerodynamic characteristic



Fan characteristic measured in full bell mouth with guard grill.



Fan with plate

Airflow Direction	Type	Code	Weight (kg)
Sucking	R09P-2525A-2M-3539	On request	
Blowing	R09P-2525P-2M-3539	On request	

Fan without guard grill

Airflow Direction	Type	Code	Weight (kg)
Sucking	R09E-2525A-2M-3539	On request	
Blowing	R09E-2525P-2M-3539	On request	

General notes

Connection diagrams:		
Sucking	0301-1-0026	See section
Blowing	0301-1-0002	Connection diagrams
Guard grills & wall-plates	See section Accessories	
Standards compliance	See introduction page	