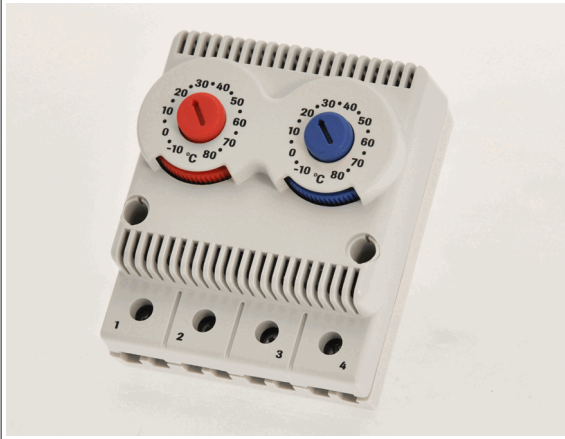
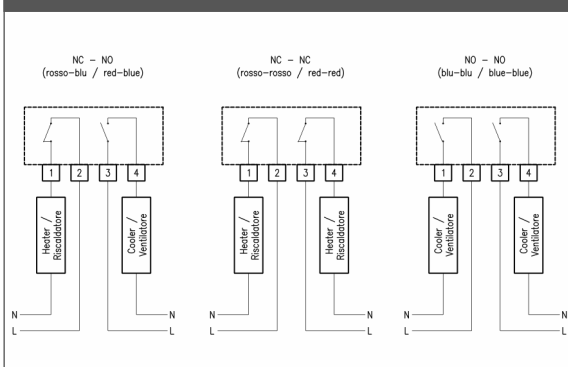
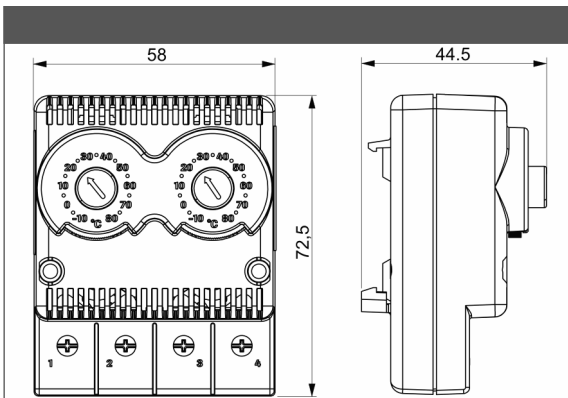


MECHANICAL THERMOSTAT

Description: **Twin Thermostat for rail**



| | |
|----------------------------------|--|
| Version | NC-NO (red-blue) ; NC-NC (red-red) ; NO-NO (blue-blue) |
| Enclosure material | PC/ABS Alloy |
| Color | grey RAL 7035 |
| Protection degree: | IP20 |
| Rated Current: | terminals 1-2: 10A terminals 3-4: 10A |
| Appliance class: | class II |
| Mounting on: | DIN rail 35 mm (EN 50 022) |
| Fixing method: | snap on |
| Electrical connection: | screw terminals |
| Electrical section wires: | from 0.75 mm ² to 2.5 mm ² |
| Sensing element type: | bi-metallic |
| Setting/indexing: | external Knob / 5°C |
| Storage temperature: | from -40°C to +90°C |
| Max air humidity | 95% RH at 25°C (not condensing) |
| Temperature scale: | available with Fahrenheit degree scale (°F) |
| External dimensions: | 58x72.5x44.5 mm |
| Endurance: | 100.000 + 100.000 cycles |
| Applicable standards: | EN 60730-1 |
| Approvals: | CE, cURus |



| Model | Rated Voltage Range | Rated Current | Contact Current | Setting Range | Differential (referred to set point) | Accuracy | Net Weight |
|-------------------|---------------------------|---------------|-----------------|---------------|--|----------|------------|
| | | (A) * | (A) | (°C) | (°C) | (°C) | (kg) |
| TRT2-10A230V-NCNC | 60 V d.c.; 110-250 V a.c. | 10 + 10 | 15 + 15 | -10 ~ 80 | -3 | ±3 | 0.1 |
| TRT2-10A230V-NCNO | 60 V d.c.; 110-250 V a.c. | 10 + 10 | 15 + 15 | -10 ~ 80 | -3 (NC) / +4 if A < 5 ; +7 if A > 5 (NO) | ±3 | 0.1 |
| TRT2-10A230V-NONO | 60 V d.c.; 110-250 V a.c. | 10 + 10 | 15 + 15 | -10 ~ 80 | +4 if A < 5 ; +7 if A > 5 | ±3 | 0.1 |

(*) resistive load (or 1/6 hp motor load + 1/6 hp motor load)

All specifications, data and drawing are subject to change without notice and are approximate. Please refer to our terms of sales including our warranty and limited liabilities clauses.