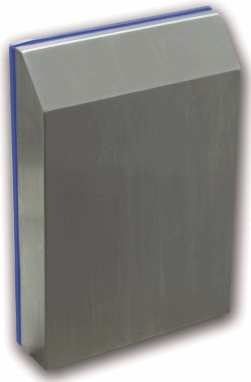


## Hose-proof protection hood

Description: for FF13



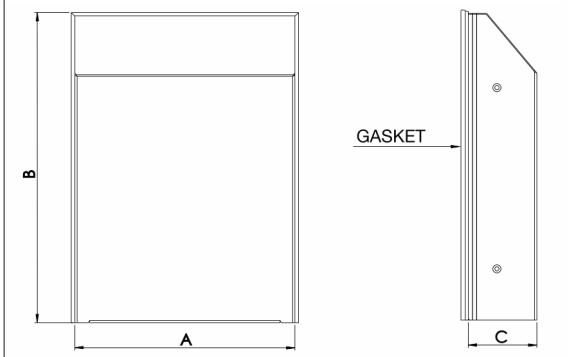
**Type of material:**  
**Protection degree:**

Stainless Steel AISI 304  
Type 1,2,3,3X,3R,3RX,3S,3SX,  
4,4X,5,12,12K,13 according to UL 50E std.  
when installed according to instruction  
manual

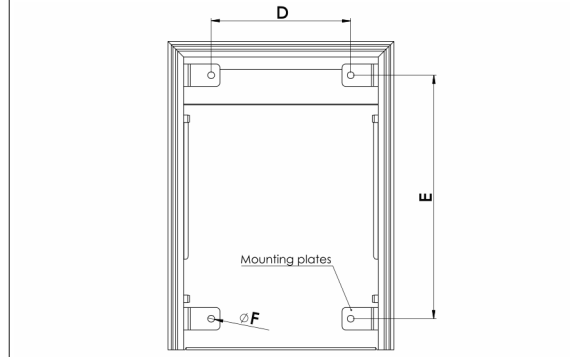
**Gasket:**  
**Approvals:**  
**Note:**

sanitary FDA compliant silicone gasket  
CE, cURus (E237844), cULus (E500932)  
Type ratings and UL approvals only in  
combination with FF13 exhaust filters and  
filter fans series

### technical drawing



### mounting cut-out



Model	DIMENSIONS					
	A (mm)	B (mm)	C (mm)	D (mm)	E (mm)	F (mm)
SSC-13A	233 (9.17 in)	330 (12.99 in)	55 (2.17 in)	168 (6.61 in)	241 (9.49 in)	6.5 (0.26 in)