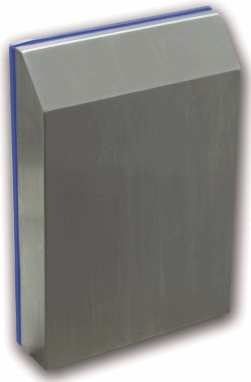


Hose-proof protection hood

Description: for FF08



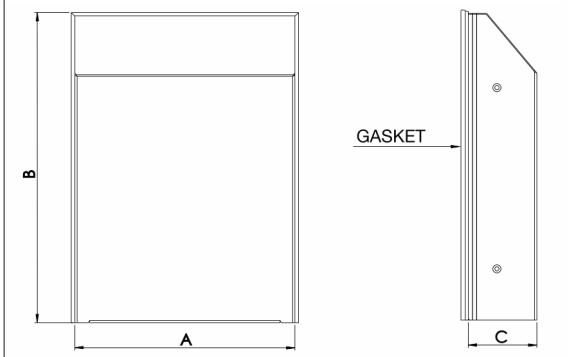
Type of material:
Protection degree:

Stainless Steel AISI 304
Type 1,2,3,3X,3R,3RX,3S,3SX,
4,4X,5,12,12K,13 according to UL 50E std.
when installed according to instruction
manual

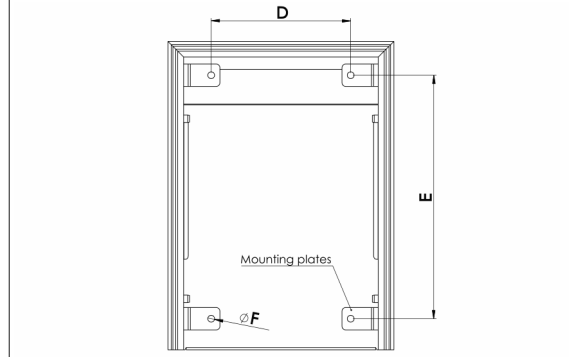
Gasket:
Approvals:
Note:

sanitary FDA compliant silicone gasket
CE, cURus (E237844), cULus (E500932)
Type ratings and UL approvals only in
combination with FF08 exhaust filters and
filter fans series

technical drawing



mounting cut-out



Model	DIMENSIONS					
	A (mm)	B (mm)	C (mm)	D (mm)	E (mm)	F (mm)
SSC-08A	150 (5.91 in)	230 (9.06 in)	40 (1.57 in)	80 (3.15 in)	164 (6.46 in)	5.5 (0.22 in)