

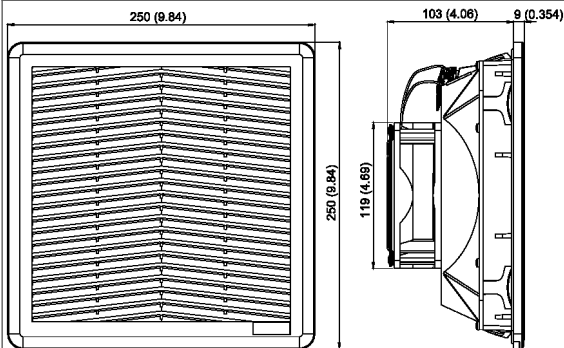
## "FF15PD" SERIES FAN FILTERS TYPE 3R

Description: Fan Filters 24/48 Vd.c. IP55

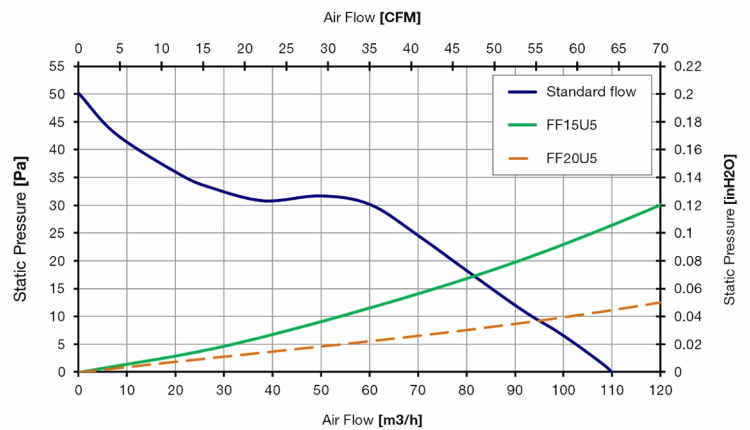
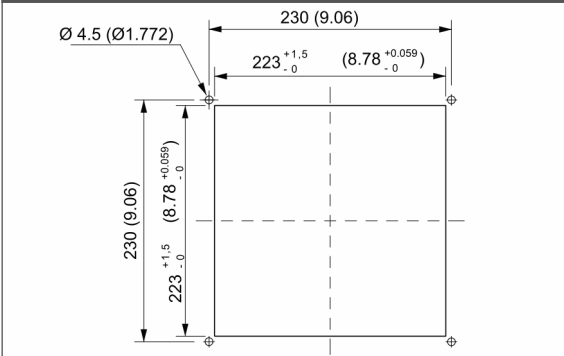


<b>Type of material:</b>	PBT glass reinforced suitable for outdoor use with respect to UV light and water exposure; PA 66 IGF13 HSL glass fiber reinforced for elastics clips
<b>Standard color:</b>	RAL 9005
<b>Protection degree:</b>	IP55, according to EN 60529 Std Type 3R, according to UL 508 Std
<b>Fixing system:</b>	by elastic clips
<b>Plate thickness:</b>	from 1.3 to 3.7 mm (from 0.051 to 0.146 in), up to 4 mm (0.157 in) with cut-out max tolerance
<b>Storage temperature:</b>	from -40°C to +70°C (from -40°F to 158°F)
<b>Motor Lifetime L10 at 25°C:</b>	100,000 h
<b>Motor protection:</b>	auto restart and polarity protection
<b>Electrical connection:</b>	by screwless terminal block, 2.5 mm <sup>2</sup> (20 - 14 AWG)
<b>Appliance class:</b>	class III
<b>Type of filter media:</b>	thermo-linked progressive structure synthetic fibre
<b>Filtering class:</b>	class G4, according to EN 779
<b>Degree of separation:</b>	94% - DIN 24185
<b>Dust retention capacity:</b>	600 g/m <sup>2</sup>
<b>Note:</b>	filter media is washable about 10 times
<b>Weight:</b>	1.20 Kg (2.65 lb)
<b>Approvals:</b>	CE; UL E237844

### technical drawing



### mounting cut-out



Model	Voltage	Frequency	Rated Current	Rated Power	Max Air Flow**	Static Pressure	Fan Noise	Rated Temp. Range	Approvals
	(V)	(Hz)	(A)	(W)	(m3/h)	(Pa)	[db(A)]	(°C)	
FF15PD24NN53	24 V d.c.	-	0.32	7.6	110	50	42.5	-10 ÷ +55	CE; UR
FF15PD48NN53	48 V d.c.	-	0.18	8.6	110	50	42.5	-10 ÷ +55	CE; UR

data with uncertainty of 15%

All specifications, data and drawing are subject to change without notice. Please refer to our terms of sales including our warranty and limited liabilities clauses.