

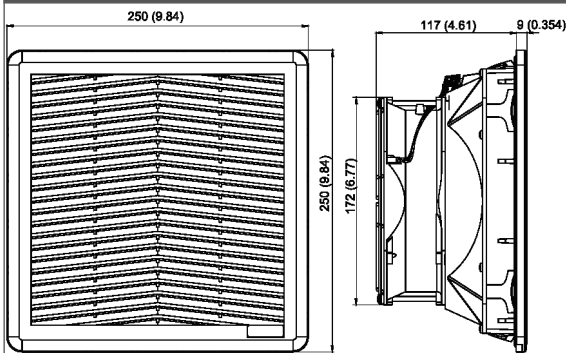
## "FF15DF" SERIES FAN FILTERS TYPE 3R

Description: Fan Filter 24 Vd.c.

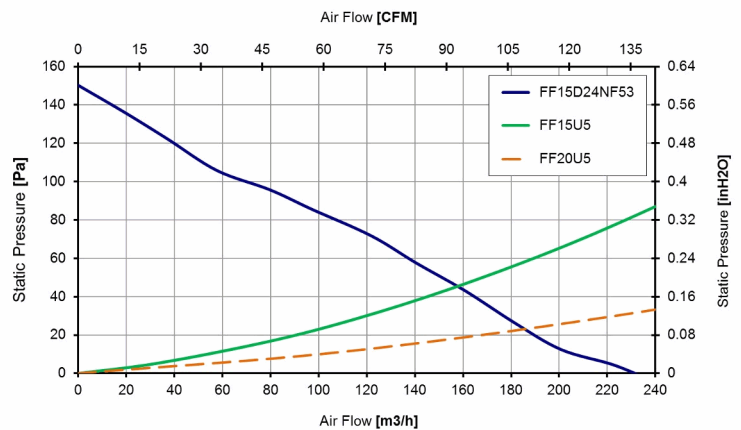
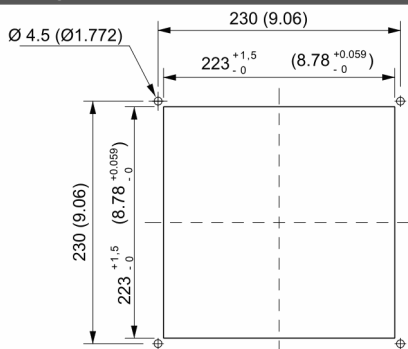


<b>Type of material:</b>	PC/ABS Alloy, PA 66 GF13 HSL for elastic clips
<b>Standard color:</b>	RAL 9005
<b>Protection degree:</b>	IP55, according to EN 60529 Std Type 3R, according to UL 508 Std
<b>Fixing system:</b>	by elastic clips
<b>Plate thickness:</b>	from 1.3 to 3.7 mm (from 0.051 to 0.146 in), up to 4 mm (0.157 in) with cut-out max tolerance
<b>Storage temperature:</b>	from -40°C to +70°C (from -40°F to 158°F)
<b>Motor Lifetime L10 at 40°C:</b>	70,000 h
<b>Motor protection:</b>	IC
<b>Electrical connection:</b>	by screwless terminal block, 2.5 mm <sup>2</sup> (20 - 14 AWG)
<b>Appliance class:</b>	class III
<b>Type of filter media:</b>	thermo-linked progressive structure synthetic fibre
<b>Filtering class:</b>	class G4, according to EN 779
<b>Degree of separation:</b>	94% - DIN 24185
<b>Dust retention capacity:</b>	600 g/m <sup>2</sup>
<b>Note:</b>	filter media is washable about 10 times
<b>Weight:</b>	1.7 Kg (3.74 lb)
<b>Approvals:</b>	CE; UL E237844

### technical drawing



### mounting cut-out



Model	Voltage	Frequency	Rated Current	Rated Power	Max Air Flow**	Static Pressure	Fan Noise	Rated Temp. Range	Approvals
	(V)	(Hz)	(A)	(W)	(m <sup>3</sup> /h)	(Pa)	[db(A)]	(°C)	
FF15D24NF53	24 V d.c.	-	1.3	31	230	150	59.0	-10 + +55	CE; cURus

data with uncertainty of 15%