

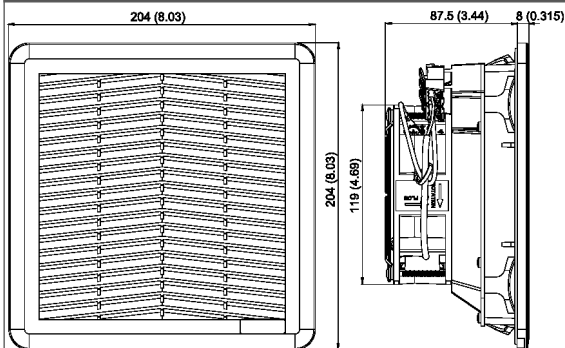
"FF13PAF" SERIES FAN FILTERS TYPE 3R

Description: Fan Filter 115/230 Va.c.

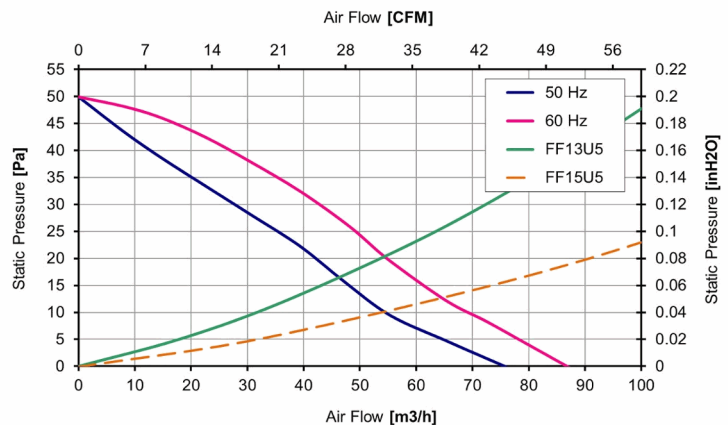
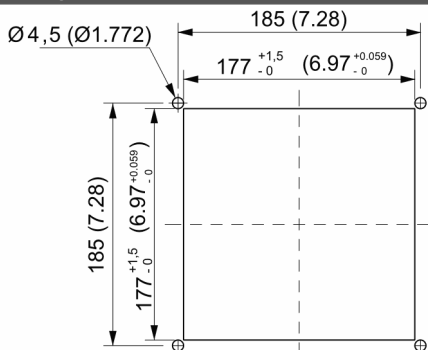


Type of material:	PBT glass reinforced suitable for outdoor use with respect to UV light and water exposure; PA 66 IGF13 HSL glass fiber reinforced for elastics clips
Standard color:	RAL 9005
Protection degree:	IP55, according to EN 60529 Std Type 3R, according to UL 508 Std
Fixing system:	by elastic clips
Plate thickness:	from 1.3 to 3.2 mm (from 0.051 to 0.126 in)
Storage temperature:	from -40°C to + 70°C (from -40°F to 158°F)
Motor Lifetime L10 at 25°C:	57,000 h
Motor protection:	impedance
Electrical connection:	by screwless terminal block 3 poles L-N-PE, 2.5 mm ² (20 - 14 AWG)
Earth connection:	by PE pole
Appliance class:	class I
Type of filter media:	thermo-linked progressive structure synthetic fibre
Filtering class:	class G4, according to EN 779
Degree of separation:	94% - DIN 24185
Dust retention capacity:	600 g/m ²
Note:	filter media is washable about 10 times
Weight:	1.1 Kg (2.43 lb)
Approvals:	CE; UL E237844

technical drawing



mounting cut-out



Model	Voltage (V)	Frequency (Hz)	Rated Current (A)	Rated Power (W)	Max Air Flow** (m3/h)	Static Pressure (Pa)	Fan Noise [db(A)]	Rated Temp. Range (°C)	Approvals
FF13PA115NF53	115 V a.c.	50/60	0.210/0.200	18/18	75/87	50/50	46.0/49.0	-10 + +55	CE; cURus
FF13PA230NF53	230 V a.c.	50/60	0.106/0.100	18/18	75/87	50/50	46.0/49.0	-10 + +55	CE; cURus

data with uncertainty of 15%

All specifications, data and drawing are subject to change without notice. Please refer to our terms of sales including our warranty and limited liabilities clauses.