

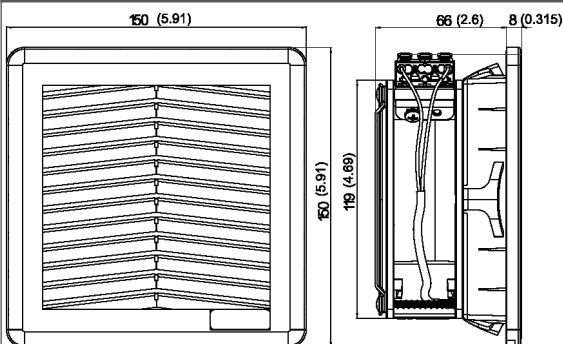
"FF12AF" SERIES FAN FILTERS TYPE 3R

Description: Fan Filter 115/230 Va.c.

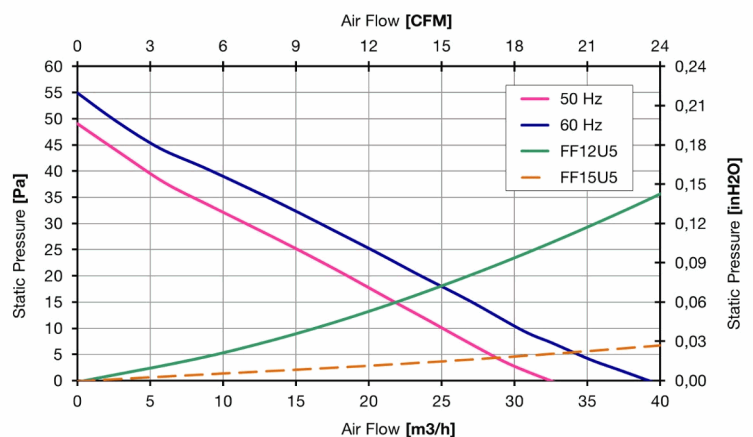
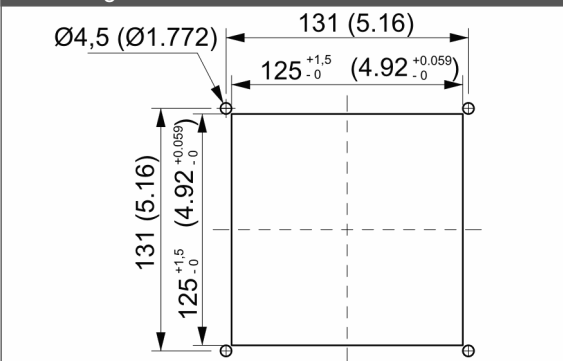


Type of material:	PBT fiberglass reinforced suitable for outdoor use with respect to UV light and water exposure; PA 66 IGF13 HSL glass fiber reinforced for elastics clips
Standard color:	RAL 9005
Protection degree:	IP55, according to EN 60529 Std Type 3R, according to UL 508 Std
Fixing system:	by elastic clips
Plate thickness:	from 1.3 to 3.2 mm (from 0.051 to 0.126 in)
Storage temperature:	from -40°C to +70°C (from -40°F to 158°F)
Motor Lifetime L10 at 25°C:	57,000 h
Motor protection:	impedance
Electrical connection:	by screwless terminal block 3 poles L-N-PE, 2.5 mm ² (20 - 14 AWG)
Earth connection:	by PE pole
Appliance class:	class I
Type of filter media:	thermo-linked progressive structure synthetic fibre
Filtering class:	class G4, according to EN 779
Degree of separation:	94% - DIN 24185
Dust retention capacity:	600 g/m ²
Note:	filter media is washable about 10 times
Weight:	0.8 Kg (1.76 lb)
Approvals:	CE; UL E237844

technical drawing



mounting cut-out



Model	Voltage	Frequency	Rated Current	Rated Power	Max Air Flow**	Static Pressure	Fan Noise	Rated Temp. Range	Approvals
	(V)	(Hz)	(A)	(W)	(m3/h)	(Pa)	[db(A)]	(°C)	
FF12A115NF53	115 V a.c.	50/60	0.200/0.180	16/15	33/39	49/55	46.0/49.0	-10 + +55	CE; cURus
FF12A230NF53	230 V a.c.	50/60	0.110/0.100	18/17	33/39	49/55	49.0/49.0	-10 + +55	CE; cURus

data with uncertainty of 15%

All specifications, data and drawing are subject to change without notice. Please refer to our terms of sales including our warranty and limited liabilities clauses.