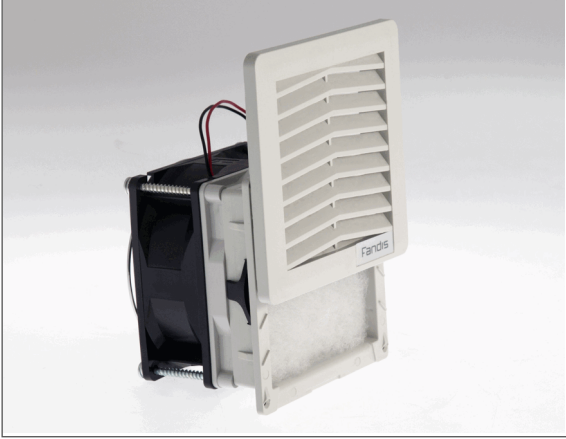


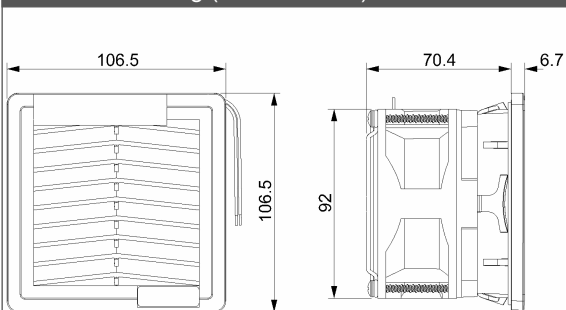
## "FF08GDN" SERIES FAN FILTERS

Description: Fan Filter 24 Vd.c.

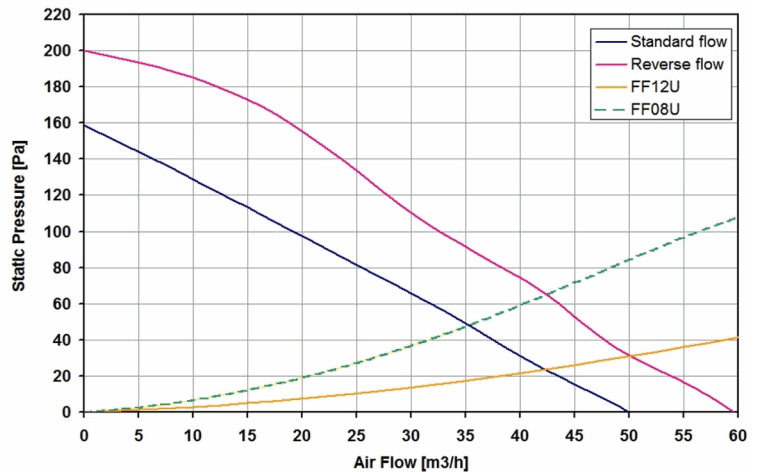
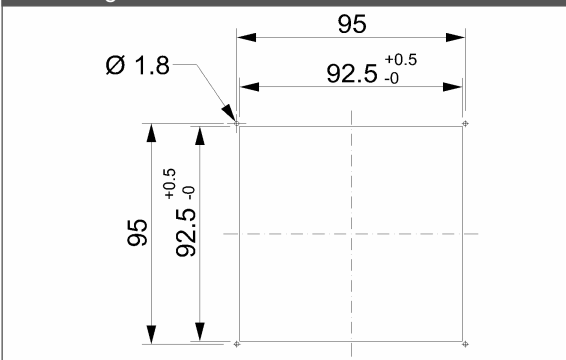


<b>Type of material:</b>	PC/ABS Alloy, PA 66 GF13 HSL for elastic clips
<b>Standard color:</b>	RAL 7035, other colors on request
<b>Protection degree:</b>	IP44 (FF08GD24UN) and IP54 (FF08GD24UNR), according to EN 60529 std Type 1, according to UL 508 std
<b>Fixing system:</b>	by elastic clips
<b>Plate thickness:</b>	from 1 mm to 2 mm
<b>Storage temperature:</b>	from -40°C to +70°C
<b>Motor Lifetime L10 at 25°C:</b>	100,000 h
<b>Motor protection:</b>	auto restart and polarity protection
<b>Electrical connection:</b>	by 2 wires +(red), -(black), 26 AWG
<b>Appliance class:</b>	class III
<b>Type of filter media:</b>	thermo-linked progressive structure synthetic fibre
<b>Filtering class:</b>	class G3, according to EN 779
<b>Degree of separation:</b>	85% - DIN 24185
<b>Dust retention capacity:</b>	600 g/m <sup>2</sup>
<b>Note:</b>	filter media is washable about 10 times
<b>Weight:</b>	0.35 Kg
<b>Approvals:</b>	CE; UL E237844; CSA

### technical drawing (standard flow)



### mounting cut-out



Model	Voltage (V)	Frequency (Hz)	Rated Current (A)	Rated Power (W)	Max Air Flow (m <sup>3</sup> /h)	Static Pressure (Pa)	Fan Noise [db(A)]	Rated Temp. Range (°C)	Approvals
FF08GD24*NR	24 V d.c.	-	0.710	17	60	200	59.0	-10 + +55	CE; cURus; cCSAus; cULus
FF08GD24UN	24 V d.c.	-	0.610	15	50	160	59.0	-10 + +55	CE; cURus; cCSAus; cULus

data with uncertainty of 15%

All specifications, data and drawing are subject to change without notice. Please refer to our terms of sales including our warranty and limited liabilities clauses.