

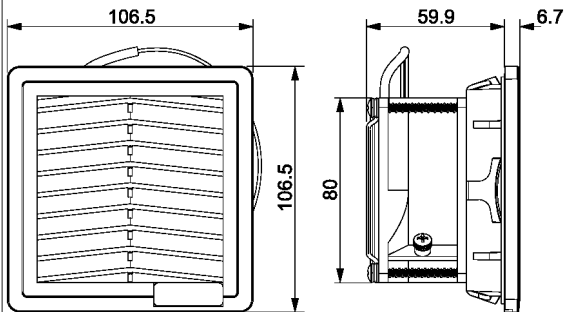
"FF08AF" SERIES FAN FILTERS

Description: Fan Filter 230 V.a.c.

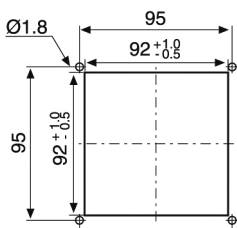


Type of material:	PC/ABS Alloy, PA 66 GF13 HSL for elastic clips
Standard color:	RAL 7035, other colors on request
Protection degree:	IP54, according to EN 60529 std
Fixing system:	by elastic clips
Plate thickness:	from 1 mm to 2 mm
Storage temperature:	from -40°C to +70°C
Motor Lifetime L10 at 40°C (approx.):	40,000 h
Motor protection:	impedance
Earth connection:	by M4 screw on fan's casing
Electrical connection:	by 2 wires L-N, 22 AWG, color black
Appliance class:	class I
Type of filter media:	thermo-linked progressive structure synthetic fibre
Filtering class:	class G3, according to EN 779
Degree of separation:	85% - DIN 24185
Dust retention capacity:	600 g/m ²
Note:	filter media is washable about 10 times
Weight:	0.46 Kg

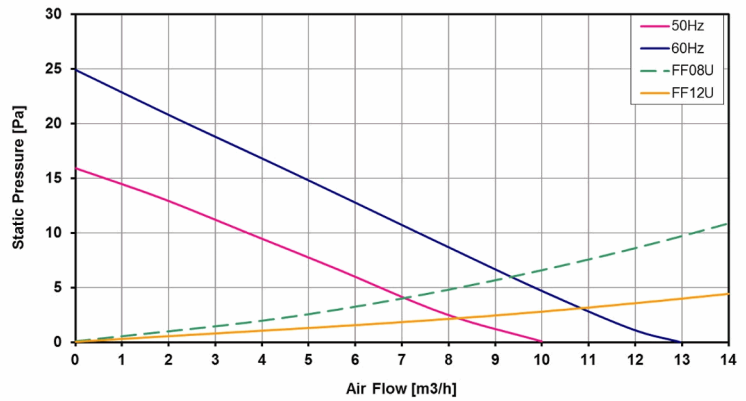
technical drawing



mounting cut-out



IP 54



Model	Voltage (V)	Frequency (Hz)	Rated Current (A)	Rated Power (W)	Max Air Flow** (m ³ /h)	Static Pressure (Pa)	Fan Noise [db(A)]	Rated Temp. Range (°C)	Approvals
FF08A230UF	230 V a.c.	50/60	0.085/0.071	14/11	10/13	16/25	32.0/36.0	-10 ÷ +70	CE

data with uncertainty of 15%