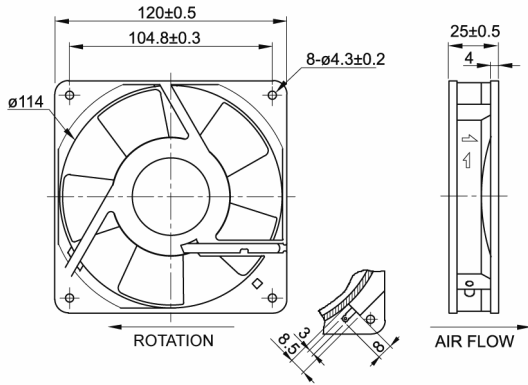
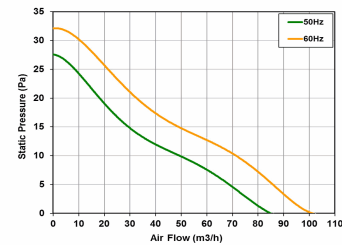
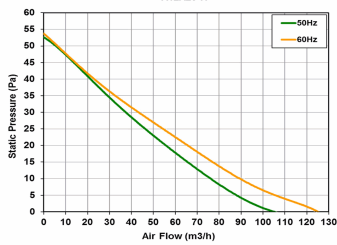
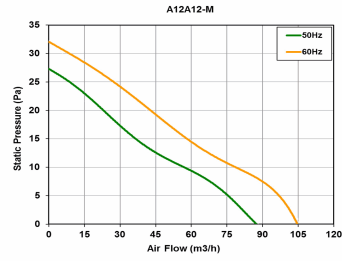
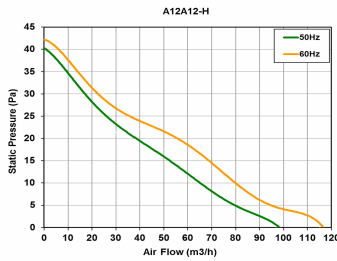


## "A12AF" SERIES COSTECH FANS

Description: Axial fan a.c. 120X120x25mm



<b>Casing material:</b>	Black varnished aluminum
<b>Impeller material</b>	Black fibreglass reinforced plastic (PBT) UL 94V-0
<b>Protection degree:</b>	IP20 for A12A12MT* and A12A23MT*, IP44 for A12A12HT* and A12A23HT*, according to EN 60529 standard
<b>Fixing system:</b>	by No 4 M4 screws
<b>Motor protection:</b>	Impedance
<b>Storage temperature:</b>	from -40°C to +80°C
<b>Rated temperature range:</b>	from -40°C to +70°C
<b>Lifetime L10 at 40°C:</b>	over 40,000 h (ball bearing); over 15,000 h (sleeve bearing)
<b>Electrical connection:</b>	flat terminals 110 series (2.8x0.5 mm)
<b>Approvals:</b>	UL E223195
<b>Weight:</b>	0.33 kg



Model	Bearing	Voltage	Frequency	Rated Current	Rated Power	Max Air Flow	Static Pressure	Noise	RPM	Approvals
		(V)	(Hz)	(A)	(W)	(m3/h)	(Pa)	[db(A)]	(rpm)	
A12A12HTBF00	Ball	115 V a.c.	50/60	0.150/0.120	14/11	99/117	42/40	38.0/42.0	2,400/2,900	CE; cURus;
A12A12HTSF00	Sleeve	115 V a.c.	50/60	0.150/0.120	14/11	99/117	42/40	38.0/42.0	2,400/2,900	CE; cURus;
A12A12MTBF00	Ball	115 V a.c.	50/60	0.150/0.120	14/11	87/105	27/32	33.0/35.0	2,050/2,500	CE; cURus;
A12A12MTSF00	Sleeve	115 V a.c.	50/60	0.150/0.120	14/11	87/105	27/32	33.0/35.0	2,050/2,500	CE; cURus;
A12A23HTBF00	Ball	230 V a.c.	50/60	0.080/0.070	16/14	109/127	52/52	38.0/42.0	2,400/2,900	CE; UR;
A12A23HTSF00	Sleeve	230 V a.c.	50/60	0.080/0.070	16/14	109/127	52/52	38.0/42.0	2,400/2,900	CE; UR;
A12A23MTBF00	Ball	230 V a.c.	50/60	0.070/0.060	16/14	87/102	27/32	34.0/36.0	2,000/2,400	CE; UR;
A12A23MTSF00	Sleeve	230 V a.c.	50/60	0.070/0.060	16/14	87/102	27/32	34.0/36.0	2,000/2,400	CE; UR;