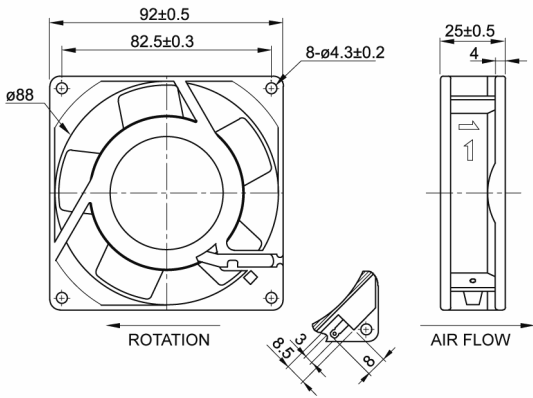


## "A09AF" SERIES COSTECH FANS

Description: Axial fan a.c. 92x92x25mm



**Casing material:**  
**Impeller material**

**Protection degree:**  
**Fixing system:**

**Motor protection:**  
**Storage temperature:**

**Rated temperature range:**  
**Lifetime L10 at 40°C:**

**Electrical connection:**  
**Approvals:**

**Weight:**

Black warrnished aluminum

Black fibreglass reinforced plastic (PBT PC)  
UL 94V-0

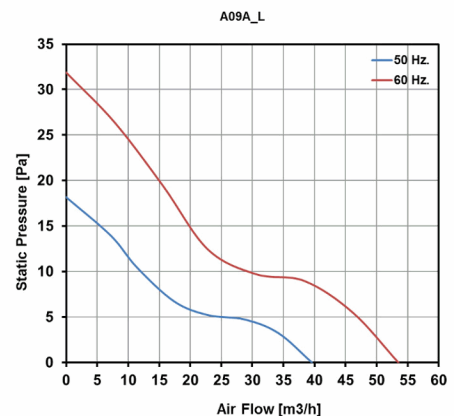
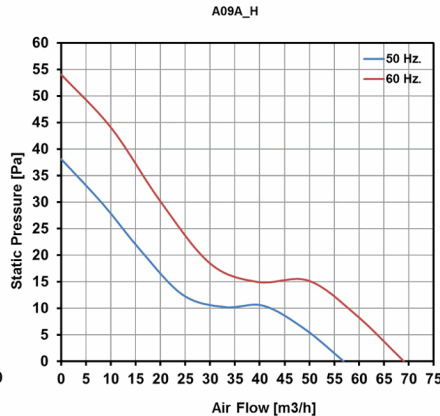
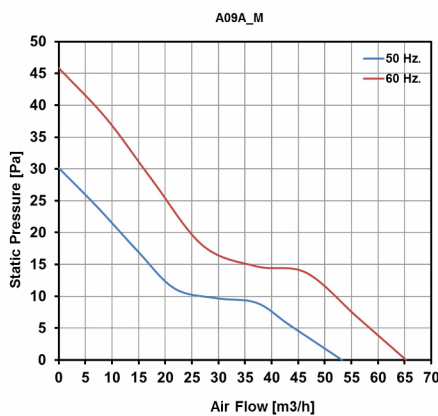
IP44, according to EN 60529 standard  
by No 4 M4 screws

Impedance  
from -40°C to +80°C

from -40°C to +70°C (ball bearing)  
over 40,000 h (ball bearing);  
over 15,000 h (sleeve bearing)

flat terminals 110 series (2.8x0.5 mm)  
UL E223195

0.28 kg



Model	Bearing	Voltage	Frequency	Rated Current	Rated Power	Max Air Flow**	Static Pressure	Noise	RPM	Approvals
		(V)	(Hz)	(A)	(W)	(m3/h)	(Pa)	[db(A)]	(rpm)	
A09A12HTBF00	Ball	115 V a.c.	50/60	0.150/0.120	14/11	56/68	37/54	32.0/36.0	2,500/3,000	CE; cURus
A09A12HTSF00	Sleeve	115 V a.c.	50/60	0.150/0.120	14/11	56/68	37/54	32.0/36.0	2,500/3,000	CE; cURus
A09A23HTBF00	Ball	230 V a.c.	50/60	0.080/0.070	16/14	56/68	37/54	32.0/36.0	2,500/3,000	CE; UR
A09A23HTSF00	Sleeve	230 V a.c.	50/60	0.080/0.070	16/14	56/68	37/54	32.0/36.0	2,500/3,000	CE; UR
A09A23LTBF00	Ball	230 V a.c.	50/60	0.070/0.060	16/14	39/53	17/32	28.0/32.0	1,800/2,300	CE
A09A23LTSF00	Sleeve	230 V a.c.	50/60	0.070/0.060	16/14	39/53	17/32	28.0/32.0	1,800/2,300	CE; cURus
A09A23MTBF00	Ball	230 V a.c.	50/60	0.070/0.060	16/14	51/63	30/45	28.0/32.0	2,200/2,750	CE; UR
A09A23MTSF00	Sleeve	230 V a.c.	50/60	0.070/0.060	16/14	51/63	30/45	28.0/32.0	2,200/2,750	CE; UR