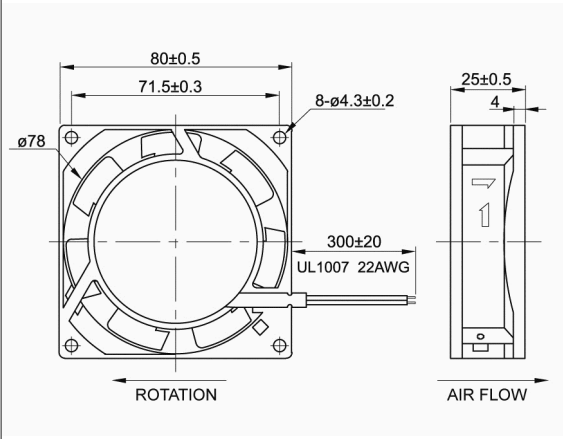
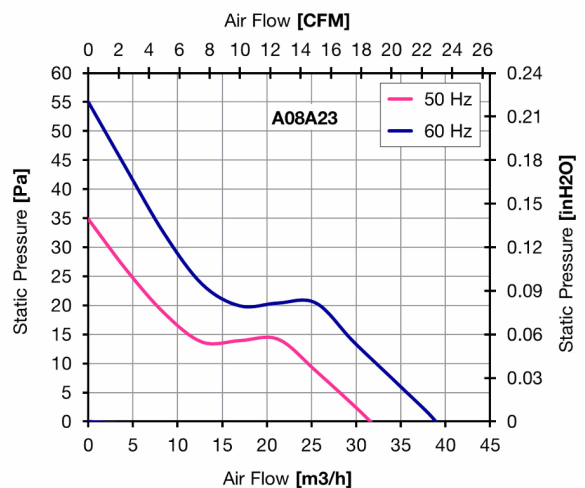
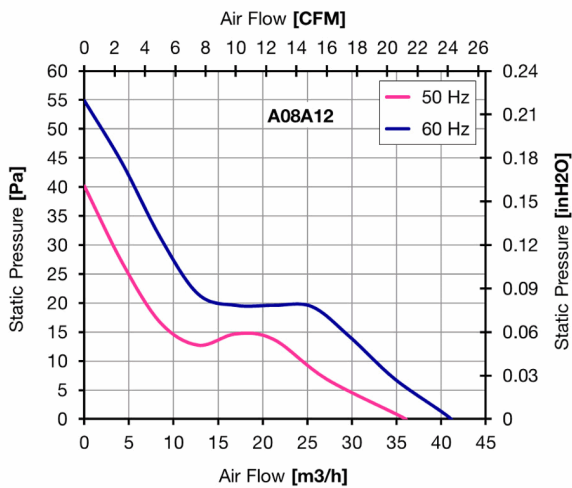


"A08AF" SERIES COSTECH FANS

Description: Axial fan a.c. 80x80x25mm



Casing material:	aluminium die casting alloy ADC-12
Impeller material	black fibreglass reinforced plastic (PBT) UL 94V-0
Protection degree:	IP44, according to EN 60529 standard
Fixing system:	4 holes Ø4.3 mm
Motor protection:	impedance
Storage temperature:	from -40°C to +80°C
Rated temperature range:	from -40°C to +70°C
Lifetime L10 at 40°C:	40,000 h ball bearing 15,000 h sleeve bearing
Electrical connection:	2 leads 22AWG UL 1007, 300 mm long
Weight:	0.26 kg
Approvals:	CE; UL E223195



Model	Bearing	Voltage	Frequency	Rated Current	Rated Power	Max Air Flow**	Static Pressure	Noise	RPM	Approvals
		(V)	(Hz)	(A)	(W)	(m3/h)	(Pa)	[db(A)]	(rpm)	
A08A12HWBF00	Ball	115 V a.c.	50/60	0.150/0.120	14/11	36/41	40/55	32.0/35.0	2,600/3,100	CE; cURus
A08A12HWSF00	Sleeve	115 V a.c.	50/60	0.150/0.120	14/11	36/41	40/55	32.0/35.0	2,600/3,100	CE; cURus
A08A23HWBF00	Ball	230 V a.c.	50/60	0.080/0.070	16/14	32/39	35/55	32.0/35.0	2,600/3,100	CE; UR
A08A23HWSF00	Sleeve	230 V a.c.	50/60	0.080/0.070	16/14	32/39	35/55	32.0/35.0	2,600/3,100	CE; UR