

W1G200-EX95-01

II 3G Ex nA IIA T4 Gc (-30°C ≤ TA ≤ +35°C) X
ITS14ATEX47658X

EC axial fan - ESM

sickled blades (S series), single inlet
ESM wall ring



ebm-papst Mulfingen GmbH & Co. KG

Bachmühle 2 · D-74673 Mulfingen

Phone +49 7938 81-0

Fax +49 7938 81-110

info1@de.ebmpapst.com

www.ebmpapst.com

Limited partnership · Headquarters Mulfingen
County court Stuttgart · HRA 590344

General partner Elektrobau Mulfingen GmbH · Headquarters Mulfingen
County court Stuttgart · HRB 590142

Nominal data

Type	W1G200-EX95-01		
Motor	M1G055-BD		
Phase		1~	1~
Nominal voltage	VAC	115	115
Frequency	Hz	50/60	50/60
Type of data definition			ml
Speed	min ⁻¹	1500	2100
Power input	W	-	31
Current draw	A	-	0.46
Max. back pressure	Pa		55
Min. ambient temperature	°C	-30	-30
Max. ambient temperature	°C	35	35

ml = Max. load · me = Max. efficiency · fa = Running at free air · cs = Customer specs · cu = Customer unit
Subject to alterations



W1G200-EX95-01

⊕ II 3G Ex nA IIA T4 Gc (-30°C ≤ TA ≤ +35°C) X
ITS14ATEX47658X

EC axial fan - ESM

sickled blades (S series), single inlet
ESM wall ring



Technical features

Mass	1 kg
Size	200 mm
Material of blades	PA plastic
Material of wall ring	PC / ABS plastic
Number of blades	5
Direction of air flow	"V"
Direction of rotation	Counter-clockwise, seen on rotor
Type of protection	IP 54
Insulation class	"B"
Humidity class	F3-1
Max. permissible ambient motor temp. (transp./ storage)	+ 80 °C
Min. permissible ambient motor temp. (transp./storage)	- 40 °C
Mounting position	Any
Condensate discharge holes	None
Operation mode	S1
Motor bearing	Ball bearing
Speed steps	2
EMC interference immunity	Acc. to EN 61000-6-2 (industrial environment)
EMC harmonics	Acc. to EN 61000-3-2/3
EMC interference emission	Acc. to EN 61000-6-3 (household environment)
Motor protection	Thermal overload protector (TOP) wired internally
Cable exit	Lateral
Protection class	II
Product conforming to standard	EN 60335-1; EN 60335-2-89; 3G; CE
Approval	EAC; 3G
Remark	Fan application category BV-3



W1G200-EX95-01

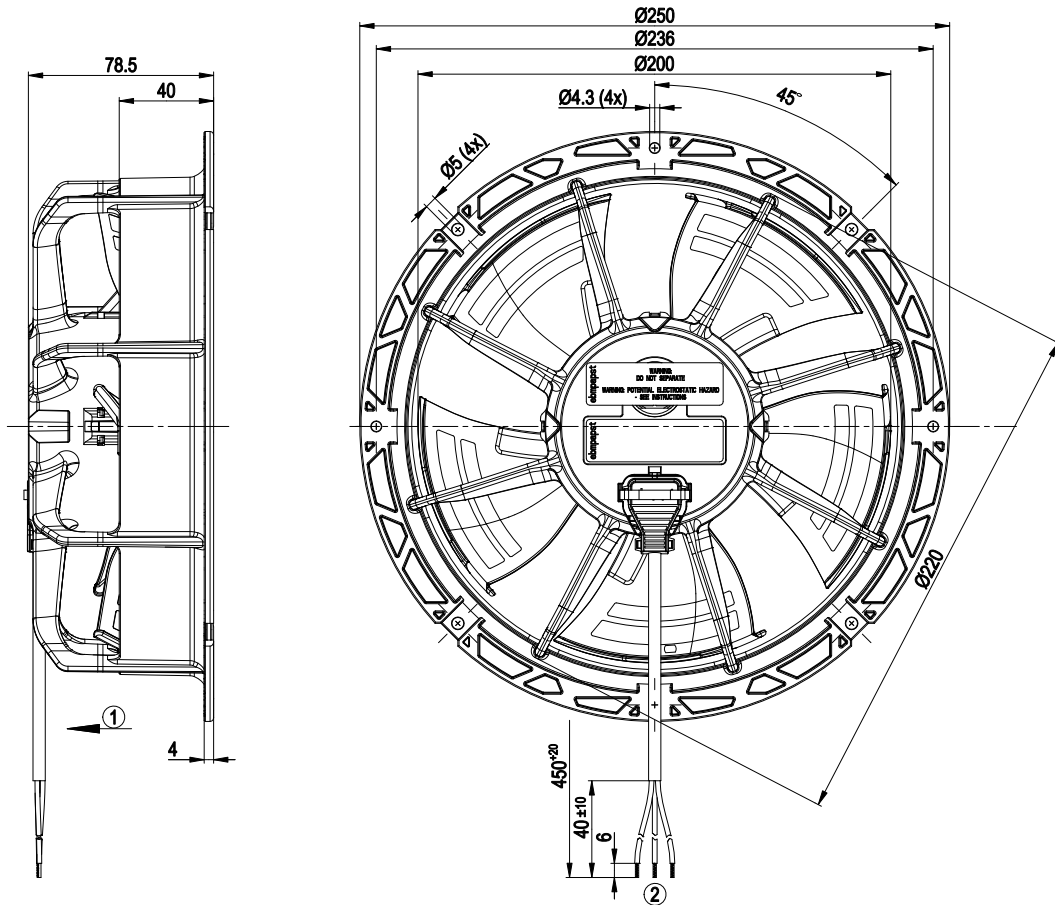
II 3G Ex nA IIA T4 Gc (-30°C ≤ TA ≤ +35°C) X
ITS14ATEX47658X

EC axial fan - ESM

sickled blades (S series), single inlet
ESM wall ring

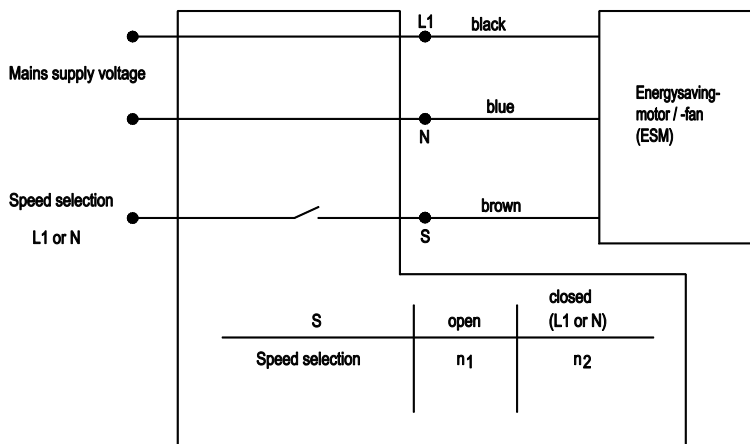


Product drawing



- 1 Direction of air flow "V"
- 2 Connection line PVC 3X AWG20, 3x brass lead tips crimped

Connection screen



W1G200-EX95-01

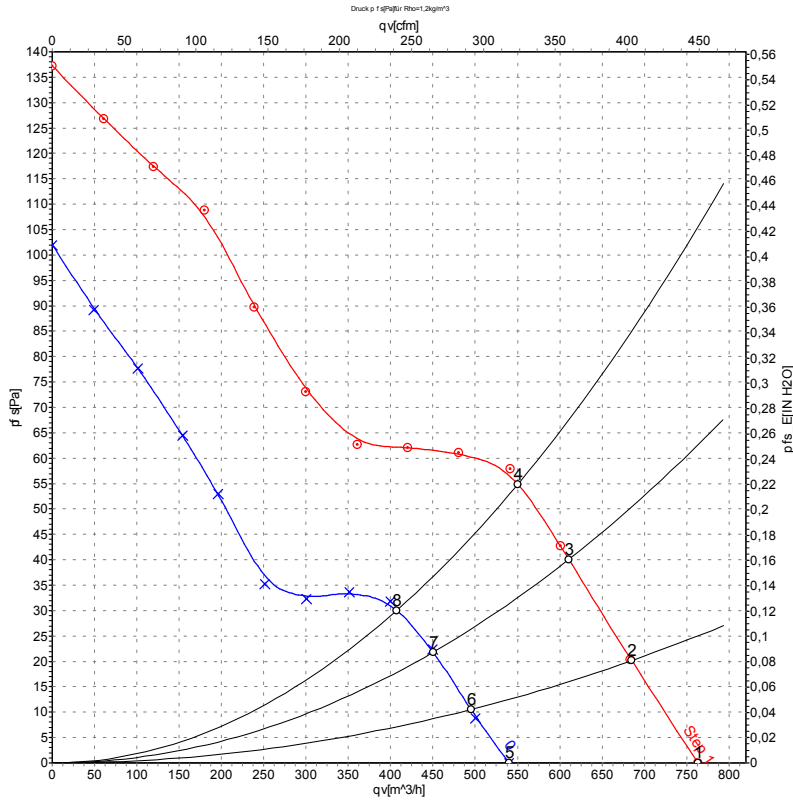
II 3G Ex nA IIA T4 Gc (-30°C ≤ TA ≤ +35°C) X
ITS14ATEX47658X

EC axial fan - ESM

sickled blades (S series), single inlet
ESM wall ring



Charts: Air flow 50 Hz



Measurement: LU-127262
Measurement: LU-127268

Air performance measured as per ISO 5801 Installation category A. For detailed information on the measuring set-up, please contact ebm-papst. Suction-side noise levels: L_{wA} measured as per ISO 13347 / L_{pA} measured with 1m distance to fan axis. The values given are valid under the measuring conditions mentioned above and may vary according to the actual installation situation. With any deviation from the standard set-up, the specific values have to be checked and reviewed with the unit installed.

Measured values

	Stage	U	f	n	P _{ed}	I	L _{wA_{in}}	qv	p _{fs}
		V	Hz	min ⁻¹	W	A	dB(A)	m ³ /h	Pa
1	1	115	50	2100	28	0.42	62	765	0
2	1	115	50	2100	30	0.45	61	685	20
3	1	115	50	2100	31	0.46	60	610	40
4	1	115	50	2100	31	0.46	62	550	55
5	1	115	50	1500	14	0.22	54	540	0
6	1	115	50	1500	15	0.22	54	495	10
7	1	115	50	1500	16	0.26	53	450	22
8	1	115	50	1500	16	0.26	55	405	30

U = Supply voltage · f = Frequency · n = Speed · P_{ed} = Power input · I = Current draw · L_{wA_{in}} = Sound power level inlet side · qv = Air flow · p_{fs} = Pressure increase

