



W3G300EQ Series

Axial

Ø 300mm

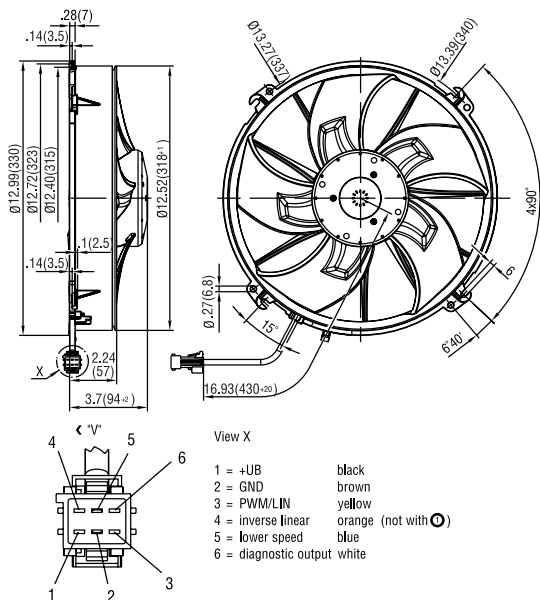
- Material: Wall ring made of plastic PP - color:black, impeller made of plastic PA - color:black
- Bearings: Maintenance-free ball bearings
- Connector plug: AMP Junior Power Timer, 6-pole coded; connection lead (450 mm) with mating plug (part no.02002-4-1021, not included)
- EMC directives: VDE 0879-2, interference suppression grade 5
- Motor protection: Over-temperature protection, re-battery and locked-rotor protection, load dump, under-voltage detection
- Insulation class: "B" according to EN 60335-1
- Direction of air flow: "V" / clockwise as seen on r (Opposite air flow direction available)
- Type of protection: IP 24 KM
- UL, CSA, VDE approvals on most models, please contact application engineering.

Part Number	Curve	CFM @ D	VDC	Volt. Range	Power (W)	dBA	Max Amb. Temp C	Bearing Type	Speed (RPM)	Wgt. (lbs)
W3G300-EQ22-90 ⁽¹⁾	①	1377	13	9-15	118	67	70	Ball	2430	5.73
W3G300-EQ20-03 ⁽²⁾	②	1560	26	19-31	160	69	70	Ball	2700	5.73
W3G300-EQ12-03 ⁽²⁾	③	1689	26	19-31	194	71	70	Ball	2930	5.73

subject to alterations

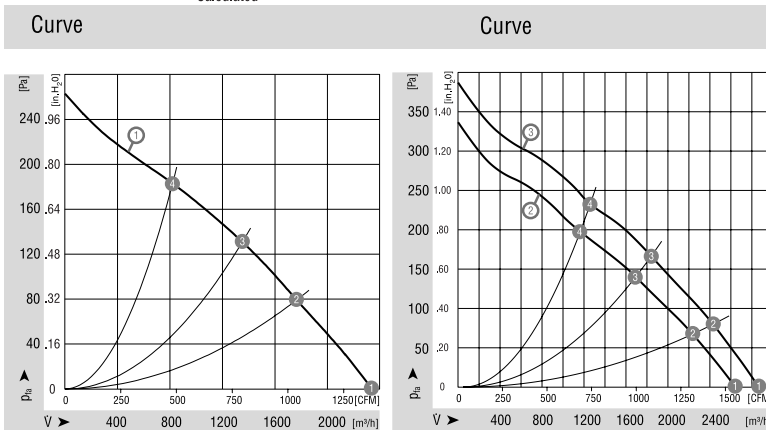
⁽¹⁾ 12 V variant

⁽²⁾ 24 V variant



	n [RPM]	P ₁ [W]	L _{pA} [dBA]	n [RPM]	P ₁ [W]	L _{pA} [dBA]	n [RPM]	P ₁ [W]	L _{pA} [dBA]
① ①	2430	118	67	② ①	2700	160	③ ①	2930	194
① ②	2390	125	68*	② ②	2670	167	③ ②	2890	206
① ③	2370	128	69*	② ③	2660	171	③ ③	2870	211
① ④	2290	146	71*	② ④	2610	186	③ ④	2820	226

*Calculated



Mouser Electronics

Authorized Distributor

Click to View Pricing, Inventory, Delivery & Lifecycle Information:

[ebm-papst:](#)

[W3G300-EQ12-03](#) [W3G300-EQ20-03](#) [W3G300-EQ22-90](#)

