

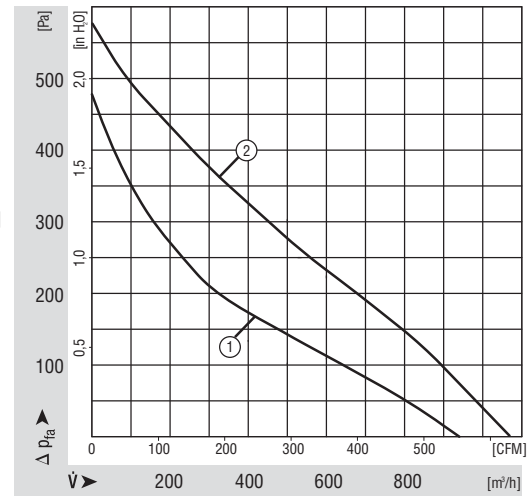
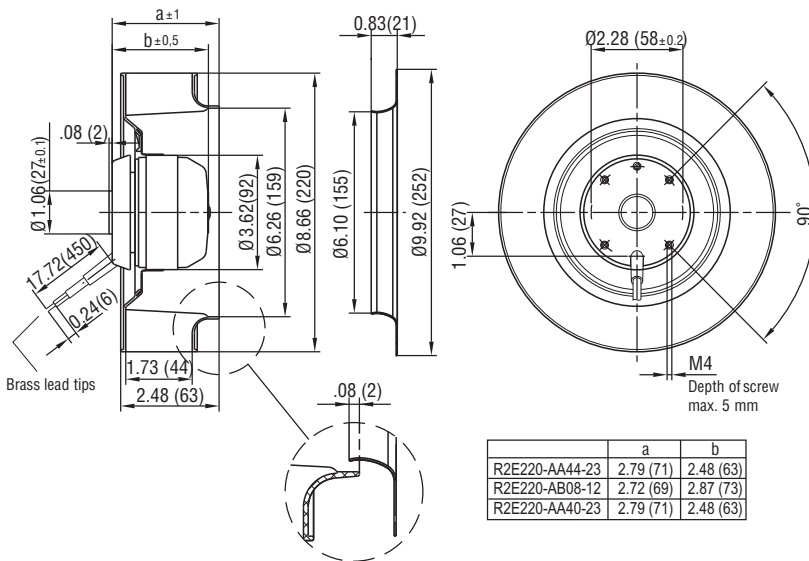


# R2E220 Series Motorized Impeller

## Ø 220mm Backward Curved

- Backward curved centrifugal fans feature extremely long blades. These impellers are highly resistant to dirt and dust. Their hydraulic efficiency is very high.
- Impeller completely made of plastic PA 6.6.
- Maintenance-free ball bearings.
- Insulation class "B". Cable exit: variable. Direction of rotation is CW as seen from intake side.
- UL, CSA, VDE approvals on most models, please contact application engineering.
- Recommended inlet ring: 9609-2-4013.

Part Number	Curve	CFM @ 0	VAC	Hertz	Power (W)	dBA	Max Amb. Temp C	Speed (RPM)	Bearing Type	Features	Capacitor (µF)	Wgt. (lbs)
R2E220-AA44-23	1	530	115	50/60	100	74	60	2550	Ball	Leads	10	3.50
R2E220-AB08-12	2	629.5	115	50/60	125	75	30	3050	Ball	Leads	10	3.30
R2E220-AA40-23	1	530	230	60	100	74	55	2550	Ball	Leads	2	3.50



e-mail: [sales@us.ebmpapst.com](mailto:sales@us.ebmpapst.com) · TEL: 860-674-1515 · FAX: 860-674-8536

ebm-papst Inc., 100 Hyde Road, Farmington, CT 06034 USA

ebm-papst Inc., 2006 © ebm-papst Inc. reserves the right to change any specifications or data without notice



# Mouser Electronics

Authorized Distributor

Click to View Pricing, Inventory, Delivery & Lifecycle Information:

[ebm-papst:](#)

[R2E220-AA44-23](#) [R2E-220-AA40-05](#) [R2E220-AA40-23](#) [R2E220-AB08-12](#)

