

W2S130-AA03-01

AC axial compact fan



ebm-papst Mulfingen GmbH & Co. KG

Bachmühle 2

D-74673 Mulfingen

Phone: +49(0)7938/81-0

Fax: +49(0)7938/81-110

info1@de.ebmpapst.com

www.ebmpapst.com

Nominal data

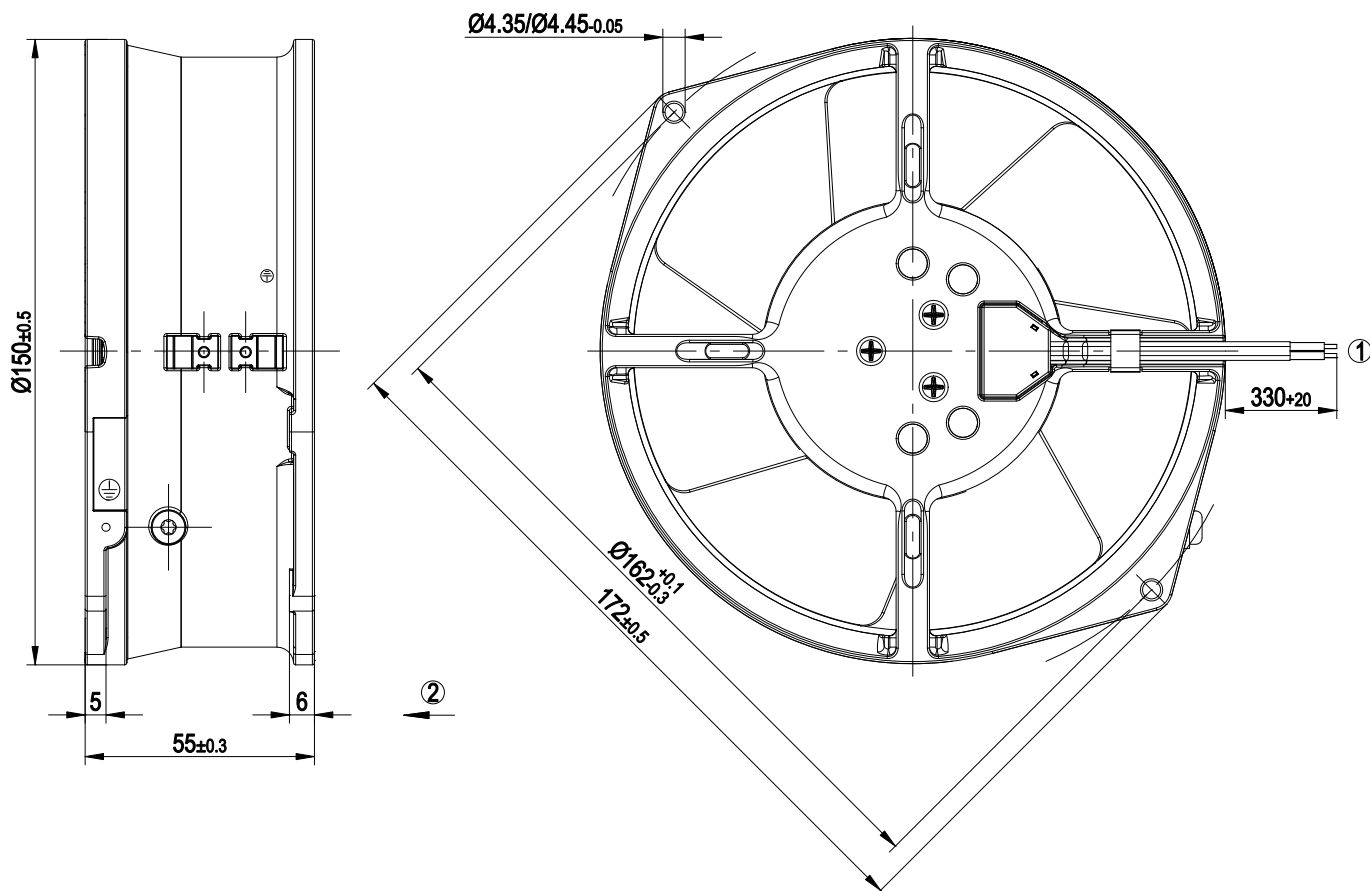
Type	W2S130-AA03-01		
Motor	M2S052-CA		
Phase		1~	1~
Nominal voltage	[V]	230	230
Frequency	[Hz]	50	60
Type of data definition		rfa	rfa
Valid for approval / standard		CE	CE
Speed	[min ⁻¹]	2800	3250
Power input	[W]	45	39
Current draw	[A]	0.31	0.25
Max. back pressure	[Pa]	80	120
Max. ambient temperature	[°C]	50	70

ml = max. load · me = max. efficiency · rfa = running at free air · cs = customer specs · cu = customer unit
Subject to alterations

Technical features

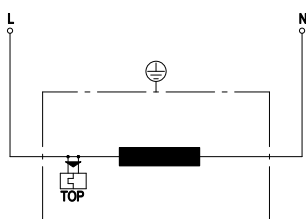
Leakage current	< 0.75 mA
Size	130 mm
Operation mode	S1
Direction of rotation	Counter-clockwise, seen on rotor
Mounting position	Any
Direction of air flow	"V"
Insulation class	"B"
Condensate discharge holes	None
Bearing motor	Ball bearing
Mass	1.1 kg
Material of impeller	Sheet steel, coated in black
Material of wall ring	Die-cast aluminium, coated in black
Motor protection	Thermal overload protector (TOP) wired internally
Product conforming to standard	CE; EN 60335-1
Surface of rotor	Rotor open, coated in black
Number of blades	7
Type of protection	IP 20
Protection class	I
Max. permissible ambient motor temp. (transp./ storage)	+ 80 °C
Min. permissible ambient motor temp. (transp./storage)	- 40 °C
Approval	CCC; CSA C22.2 Nr.113; GOST; UL 507; VDE

Product drawing



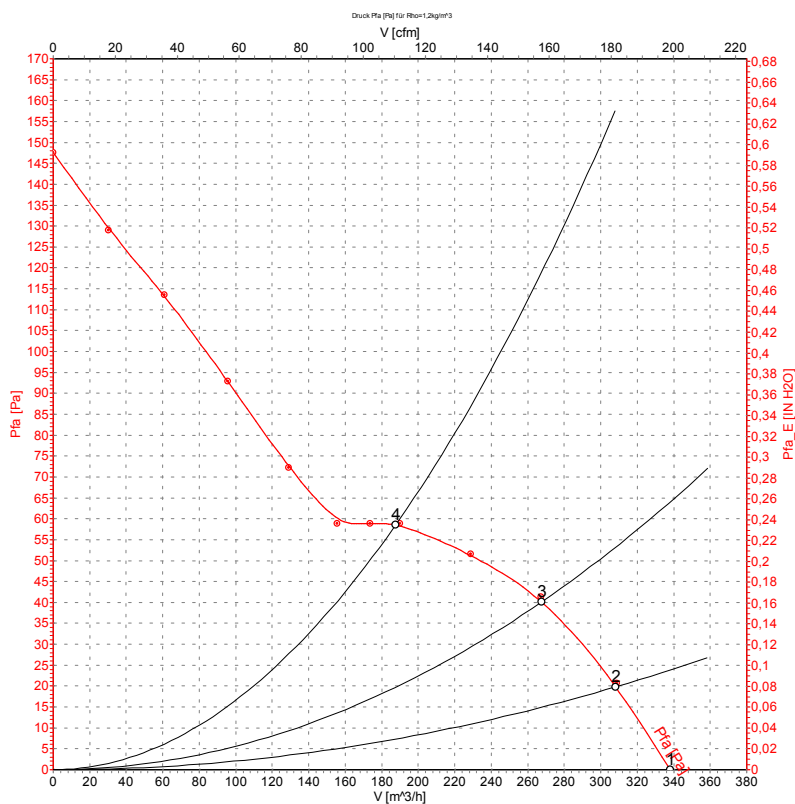
- | | |
|---|--|
| 1 | Connecting cable AWG 20, 2 x brass lead tips crimped |
| 2 | Direction of air flow "V" |

Connection screen



- | | |
|-----|------------------------------|
| L | = black |
| N | = black |
| TOP | = Thermal overload protector |

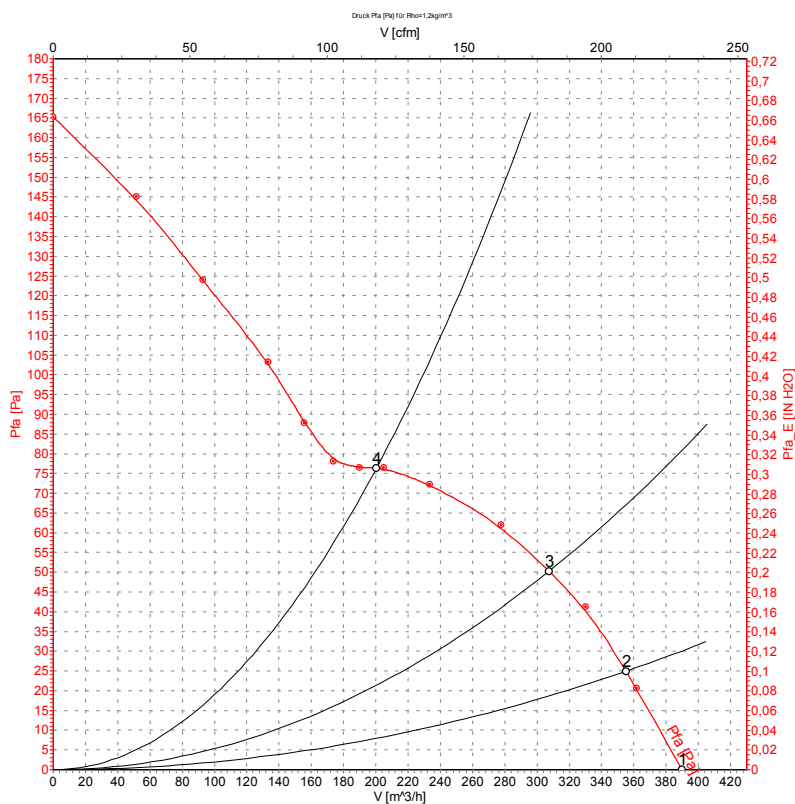
Charts: Air flow 50 Hz



Measured values

	U	f	n	P ₁	I	Ṃ	P _{fa}
	[V]	[Hz]	[min ⁻¹]	[W]	[A]	[m ³ /h]	[Pa]
1	230	50	2800	45	0.31	340	0
2	230	50	2795	45	0.31	310	20
3	230	50	2780	46	0.31	270	40
4	230	50	2780	46	0.31	190	59

Charts: Air flow 60 Hz



Measured values

	U	f	n	P ₁	I	Ṃ	P _{fa}
	[V]	[Hz]	[min ⁻¹]	[W]	[A]	[m ³ /h]	[Pa]
1	230	60	3250	39	0.25	390	0
2	230	60	3200	42	0.25	355	25
3	230	60	3165	43	0.26	305	50
4	230	60	3170	43	0.26	200	75