

Radial blowers with EC internal-rotor motor

RLB 120



- galvanized sheet steel housing
- brushless EC motor
- ball bearings
- motor anti-vibration mounted
- mounting position must be specified for corresponding support elements
- interfaces see page 85, no. 2

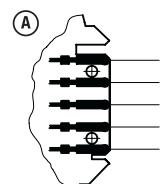
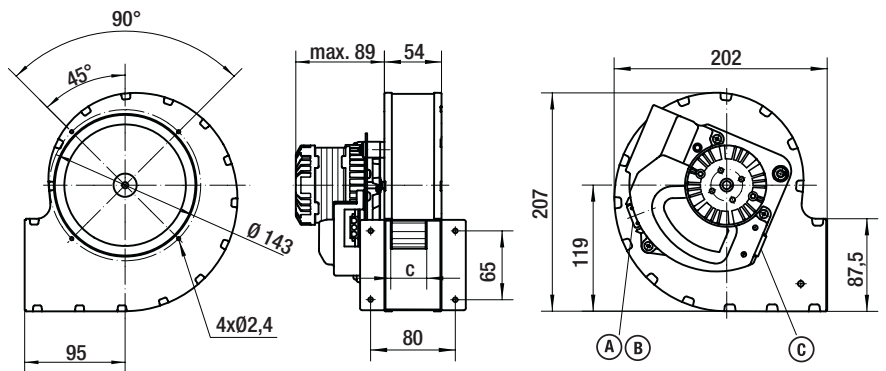
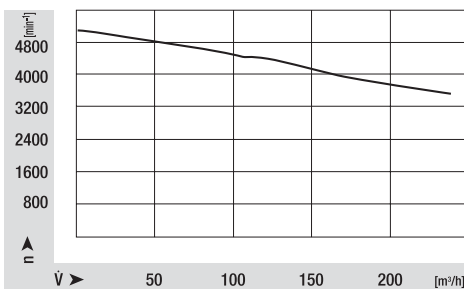
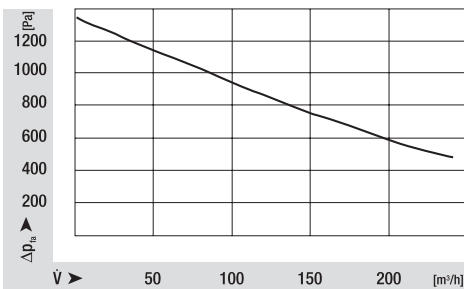
ebm-papst • Landshut

Nominal data	rated voltage	frequency	max. air flow	back pressure min.	max. pressure increase	max. power input	max. speed	electrical connection	mass	Dimensions mm
type	V	Hz	m ³ /h	Pa	Pa	W	min ⁻¹		kg	c
RLB120/0034-3633	230 AC	50	240	500	1350	120	5400	Ⓐ Ⓒ	2,1	34

subject to alterations

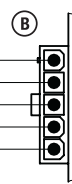
Characteristic curves

Nominal operation (230 V, 100% PWM) permissible only as of minimal back pressure of 500Pa.

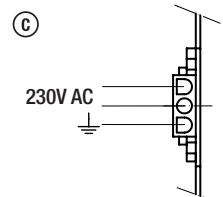


suitable for connector
AMP MT-Edge

Power supply+
Hall Sensor OUT
GND
PWM Input
Power supply-(GND)



suitable for connector
Molex Mini-Fit, Jr.



suitable for connector
AMP Universal MATE-N-LOK