



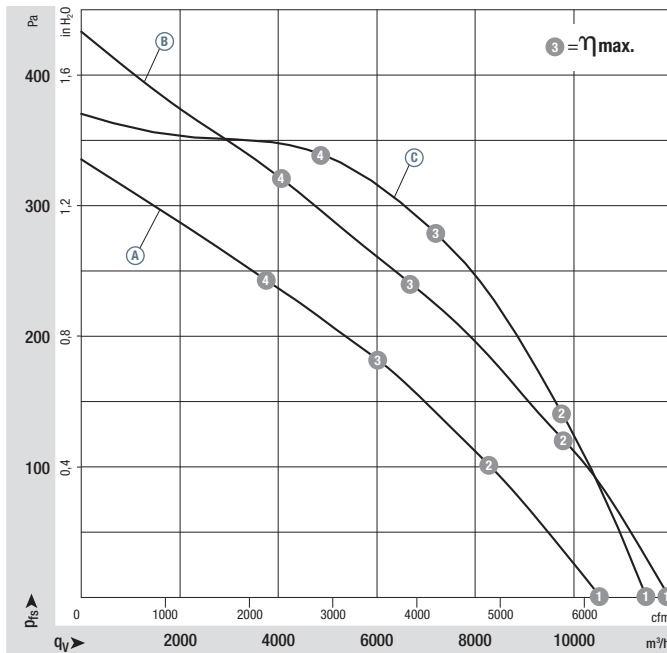
- **Material:** Support bracket: Steel, coated in black  
Support plate and inlet nozzle: Sheet steel, galvanised  
Impeller: Plastic PP  
Rotor: Coated in black  
Electronics enclosure: Die-cast aluminium
- **Number of blades:** 6
- **Direction of rotation:** Clockwise, seen on rotor
- **Type of protection:** IP 54
- **Insulation class:** "F"
- **Mounting position:** Shaft horizontal or rotor on bottom, rotor on top on request
- **Condensate discharges:** Rotor-side
- **Mode of operation:** Continuous operation (S1)
- **Bearings:** Maintenance-free ball bearings

Nominal data		Curve	Nominal voltage range	Frequency	Speed/rpm <sup>(1)</sup>	Max. input power <sup>(1)</sup>	Max. current draw <sup>(1)</sup>	Perm. amb. temp.	Technical features and electrical connection
Type	Motor	VAC	Hz	rpm	W	A	°C		
*3G 630	M3G 112-IA	Ⓐ	1~ 200-277	50/60	740	500	2,20	-25..+40	p. 166 / P5)
*3G 630	M3G 112-IA	Ⓑ	1~ 200-277	50/60	840	750	3,30	-25..+40	p. 166 / P5)
*3G 630	M3G 112-IA	Ⓒ	3~ 380-480	50/60	900	950	1,50	-25..+40	p. 167 / P6)
*3G 630	M3G 150-FF	Ⓓ	1~ 200-277	50/60	1030	1415	6,20	-25..+50	p. 168 / M4)
*3G 630	M3G 150-FF	Ⓔ	3~ 380-480	50/60	1130	1790	2,80	-25..+60	p. 169 / M5)
*3G 630	M3G 150-IF	Ⓕ	3~ 380-480	50/60	1300	2700	4,15	-25..+55	p. 169 / M5)

subject to alterations

(1) Nominal data in operating point with maximum load and 230 or 400 VAC

Curves:



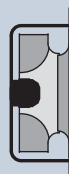
Air performance measured as per: ISO 5801, Installation category A, with ebm-papst inlet nozzle without protection against accidental contact. Suction-side noise levels: L<sub>WA</sub> as per ISO 13347, L<sub>pA</sub> measured at 1 m distance to fan axis. The acoustic values given are only valid under the measurement conditions listed and may vary depending on the installation situation. With any deviation to the standard setup, the specific values have to be checked and reviewed once installed or fitted! For detailed information see page 172 ff.

	n rpm	P <sub>ed</sub> W	I A	L <sub>WA</sub> dB(A)
Ⓐ 1	825	460	2,00	76
Ⓐ 2	770	500	2,20	69
Ⓐ 3	740	500	2,20	65
Ⓐ 4	750	500	2,20	67
Ⓑ 1	930	690	3,00	80
Ⓑ 2	880	750	3,30	73
Ⓑ 3	840	750	3,30	70
Ⓑ 4	865	750	3,30	71
Ⓒ 1	900	600	1,00	78
Ⓒ 2	900	830	1,30	73
Ⓒ 3	900	950	1,50	69
Ⓒ 4	900	885	1,40	71

- **Technical features:** See electrical connections p. 166 ff.
- **EMC:** Interference emission acc. to EN 61000-6-3  
Interference immunity acc. to EN 61000-6-2  
Harmonics acc. to EN 61000-3-2/3
- **Touch current:** < 3,5 mA acc. to IEC 60990 (test circuit, illustration 4)
- **Terminal box design:** Electrical connection via terminal strip
- **Protection class:** I (if customer has provided connection for protective earth)
- **Product conforming to standards:** EN 61800-5-1; CE
- **Approvals:** VDE, UL, CSA, CCC, GOST are applied for



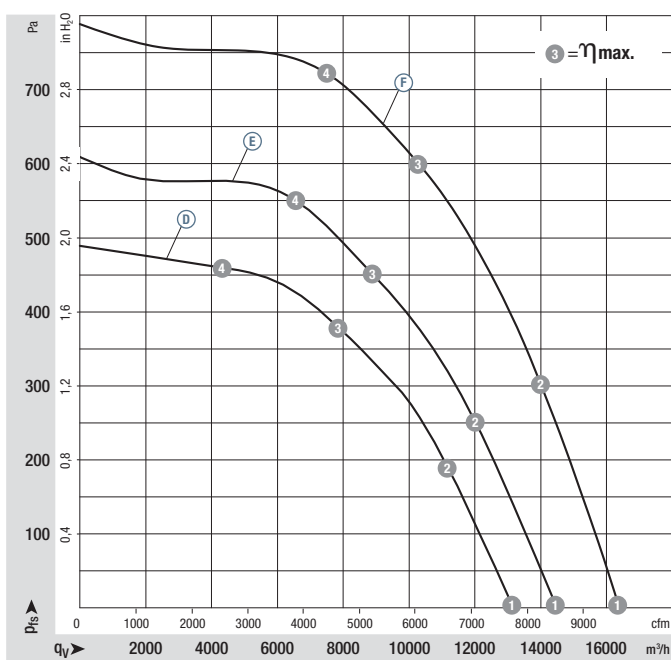
Mass of centrifugal fan



Mass of centrifugal module with support bracket

Centrifugal fan	kg	Centrifugal module w. support bracket	kg
R3G 630-RK57 -31	15,8	K3G 630-RK57 -31	34,8
R3G 630-RL94 -21	17,6	K3G 630-RL94 -21	36,6
R3G 630-RL95 -01	17,4	K3G 630-RL95 -01	36,4
R3G 630-RA38 -21	25,0	K3G 630-RA38 -21	50,0
R3G 630-RA21 -71	24,0	K3G 630-RA21 -71	49,0
R3G 630-RB32 -71	29,0	K3G 630-RB32 -71	54,0

Curves:



Air performance measured as per: ISO 5801, Installation category A, with ebm-papst inlet nozzle without protection against accidental contact. Suction-side noise levels:  $L_{WA}$  as per ISO 13347,  $L_pA$  measured at 1 m distance to fan axis. The acoustic values given are only valid under the measurement conditions listed and may vary depending on the installation situation. With any deviation to the standard setup, the specific values have to be checked and reviewed once installed or fitted! For detailed information see page 172 ff.

	n rpm	$P_{ed}$ W	I A	$L_{WA}$ dB(A)
ⓓ ①	1030	920	4,00	82
ⓓ ②	1030	1240	5,45	75
ⓓ ③	1030	1415	6,20	74
ⓓ ④	1030	1230	5,40	77
ⓔ ①	1130	1180	1,95	84
ⓔ ②	1130	1640	2,60	77
ⓔ ③	1130	1790	2,80	74
ⓔ ④	1130	1750	2,80	75
ⓕ ①	1300	1780	2,80	87
ⓕ ②	1300	2420	3,75	81
ⓕ ③	1300	2700	4,15	77
ⓕ ④	1300	2640	4,10	80

# EC centrifugal fans – RadiCal

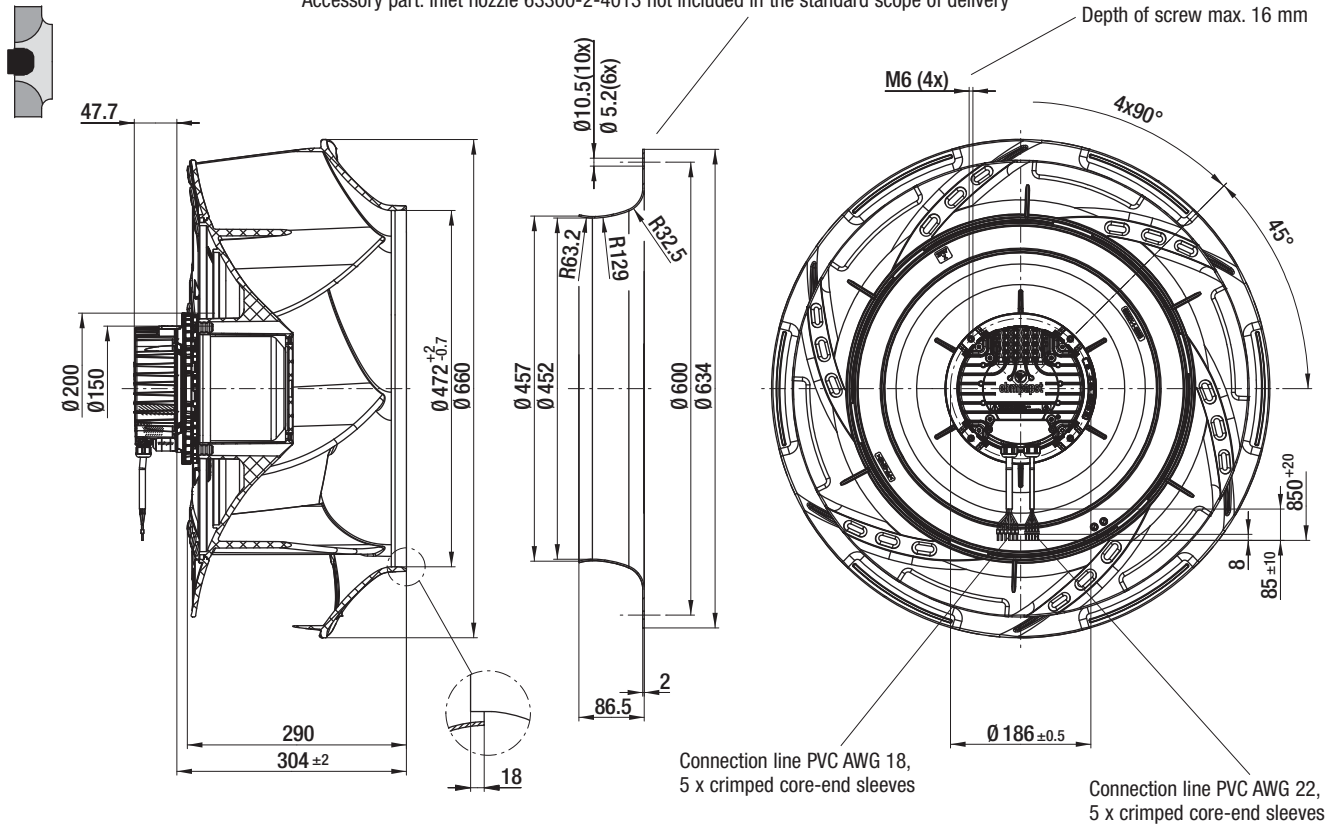
backward curved, Ø 630



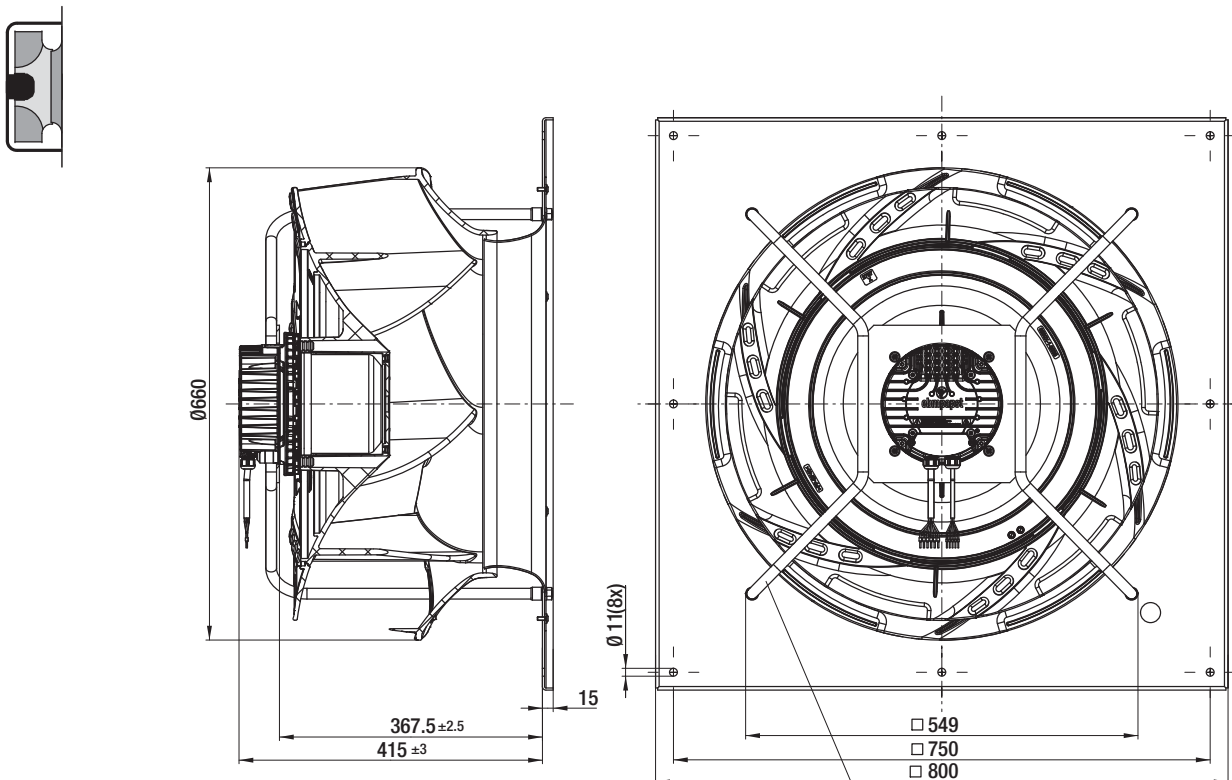
## R3G 630-RK57-31 (Centrifugal fan)

Accessory part: Inlet nozzle 63300-2-4013 not included in the standard scope of delivery

Depth of screw max. 16 mm



## K3G 630-RK57-31 (Centrifugal module with support bracket)



**Observe the correct mounting position!**  
Install the support struts only as shown in the view!

# EC centrifugal fans – RadiCal

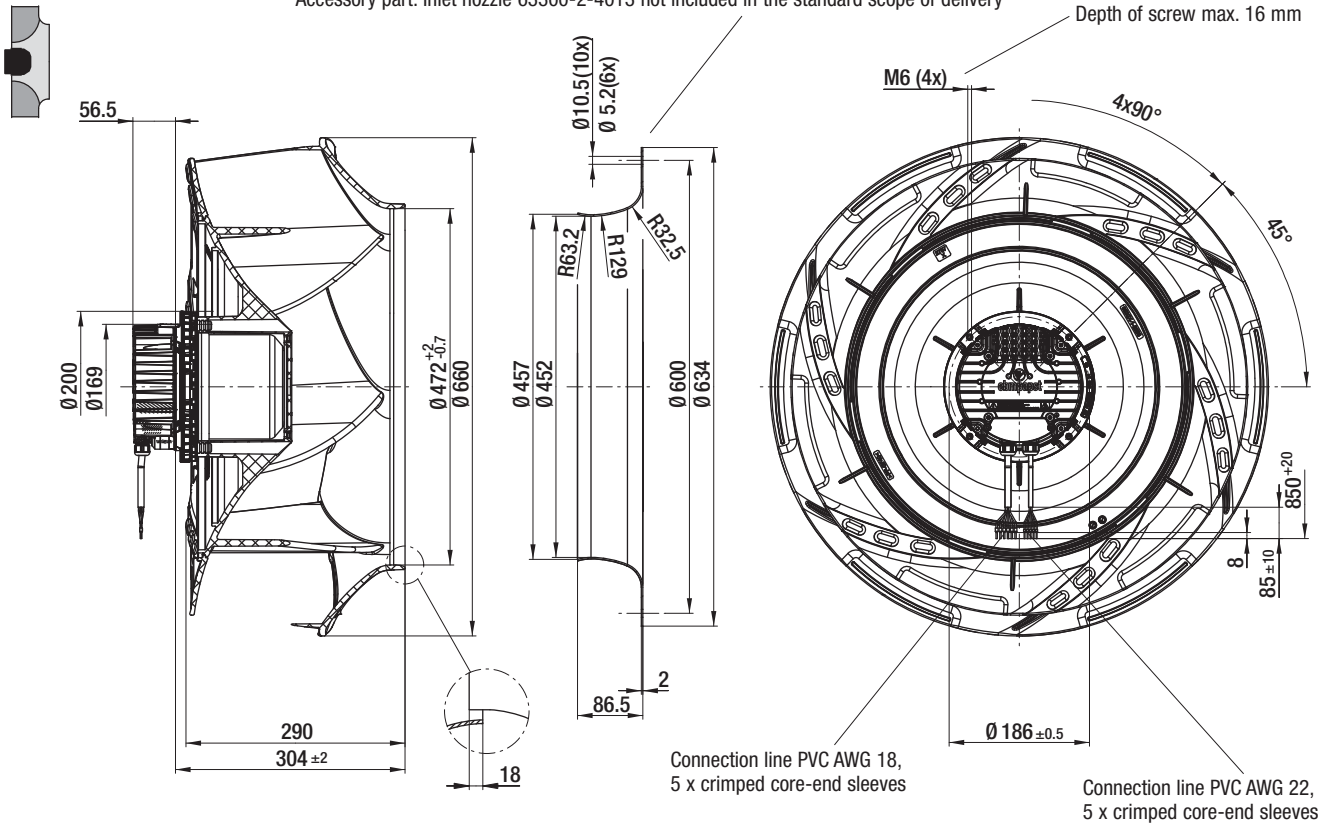
backward curved, Ø 630



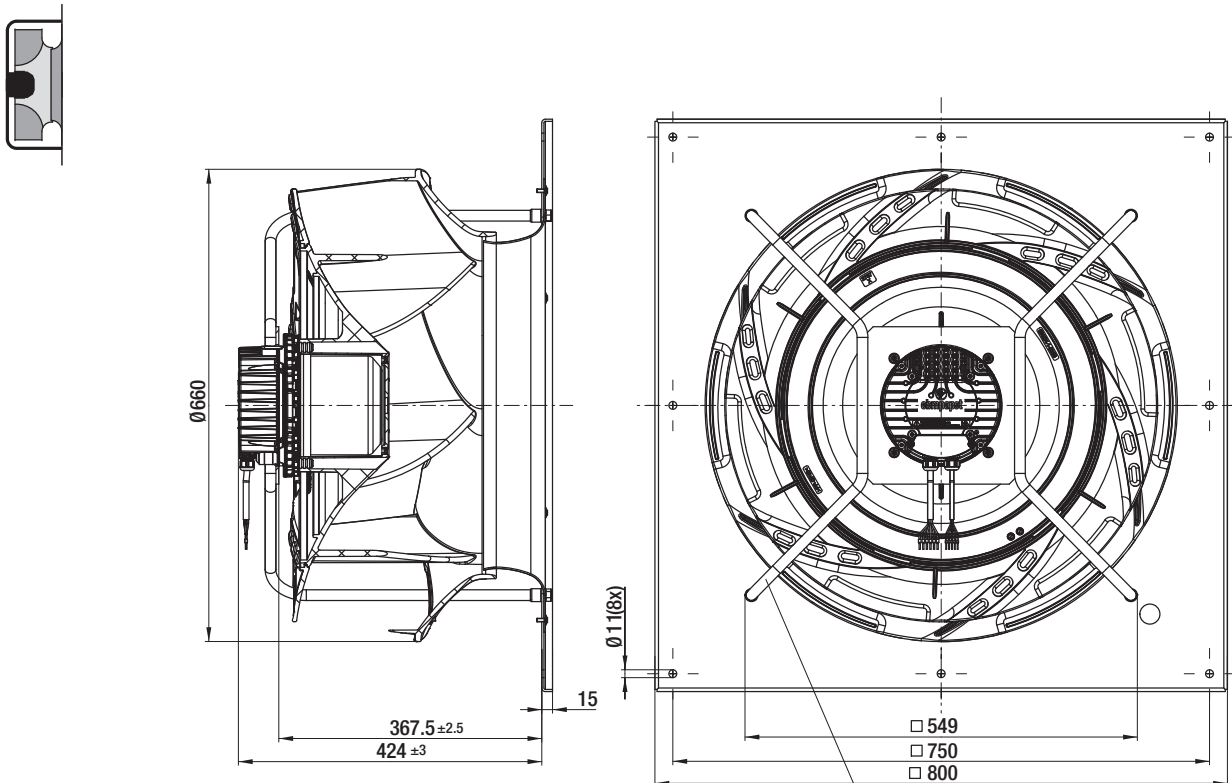
## R3G 630-RL94-21 (Centrifugal fan)

Accessory part: Inlet nozzle 63300-2-4013 not included in the standard scope of delivery

Depth of screw max. 16 mm



## K3G 630-RL94-21 (Centrifugal module with support bracket)



**Observe the correct mounting position!**  
Install the support struts only as shown in the view!

# EC centrifugal fans – RadiCal

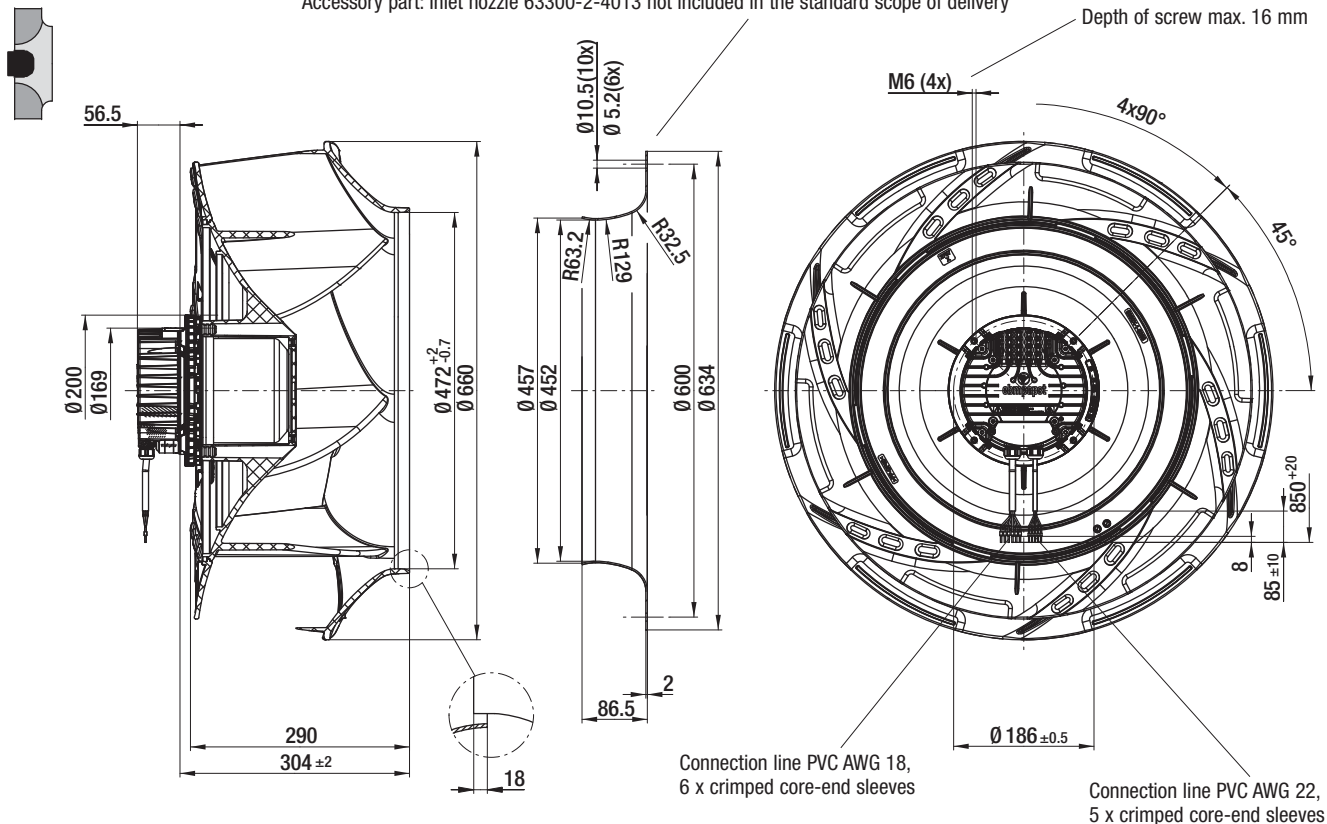
backward curved, Ø 630



## R3G 630-RL95-01 (Centrifugal fan)

Accessory part: Inlet nozzle 63300-2-4013 not included in the standard scope of delivery

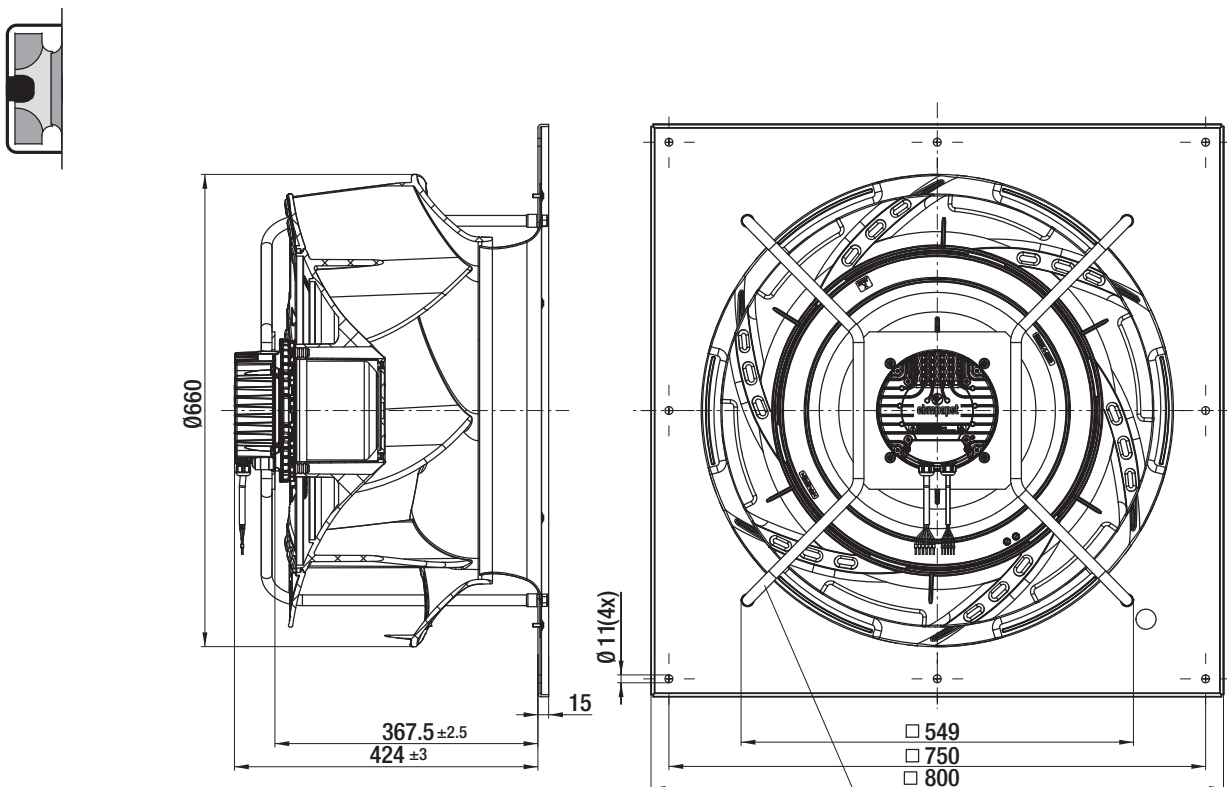
Depth of screw max. 16 mm



Connection line PVC AWG 18,  
6 x crimped core-end sleeves

Connection line PVC AWG 22,  
5 x crimped core-end sleeves

## K3G 630-RL95-01 (Centrifugal module with support bracket)



Observe the correct mounting position!  
Install the support struts only as shown in the view!

# EC centrifugal fans – RadiCal

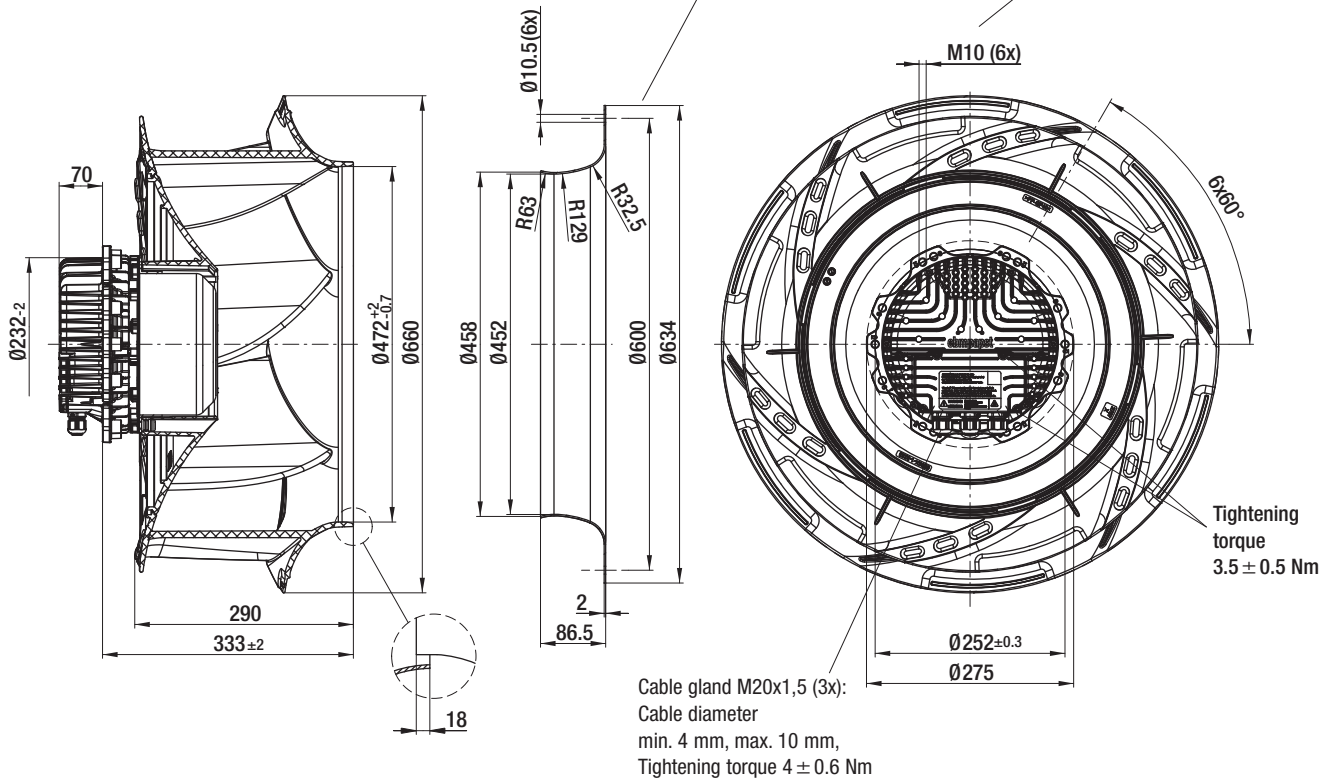
backward curved, Ø 630



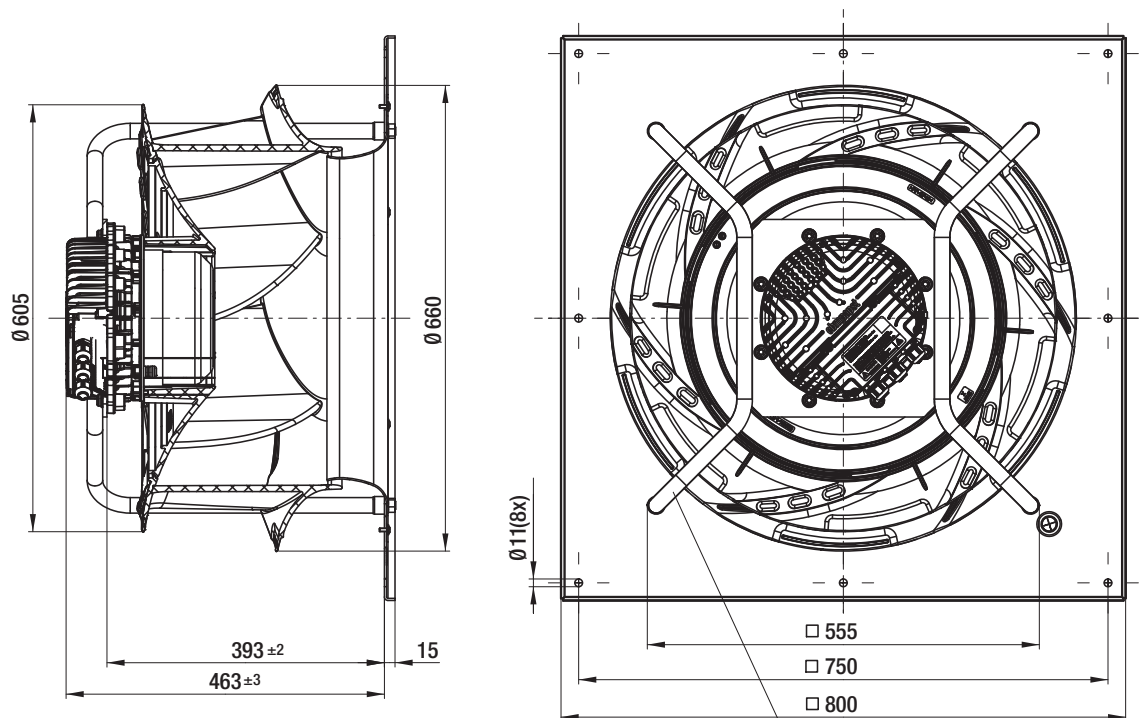
## R3G 630-RA38-21 (Centrifugal fan)

Accessory part: Inlet nozzle 63300-2-4013 not included in the standard scope of delivery

Depth of screw max. 25 mm



## K3G 630-RA38-21 (Centrifugal module with support bracket)



Observe the correct mounting position!  
Install the support struts only as shown in the view!

# EC centrifugal fans – RadiCal

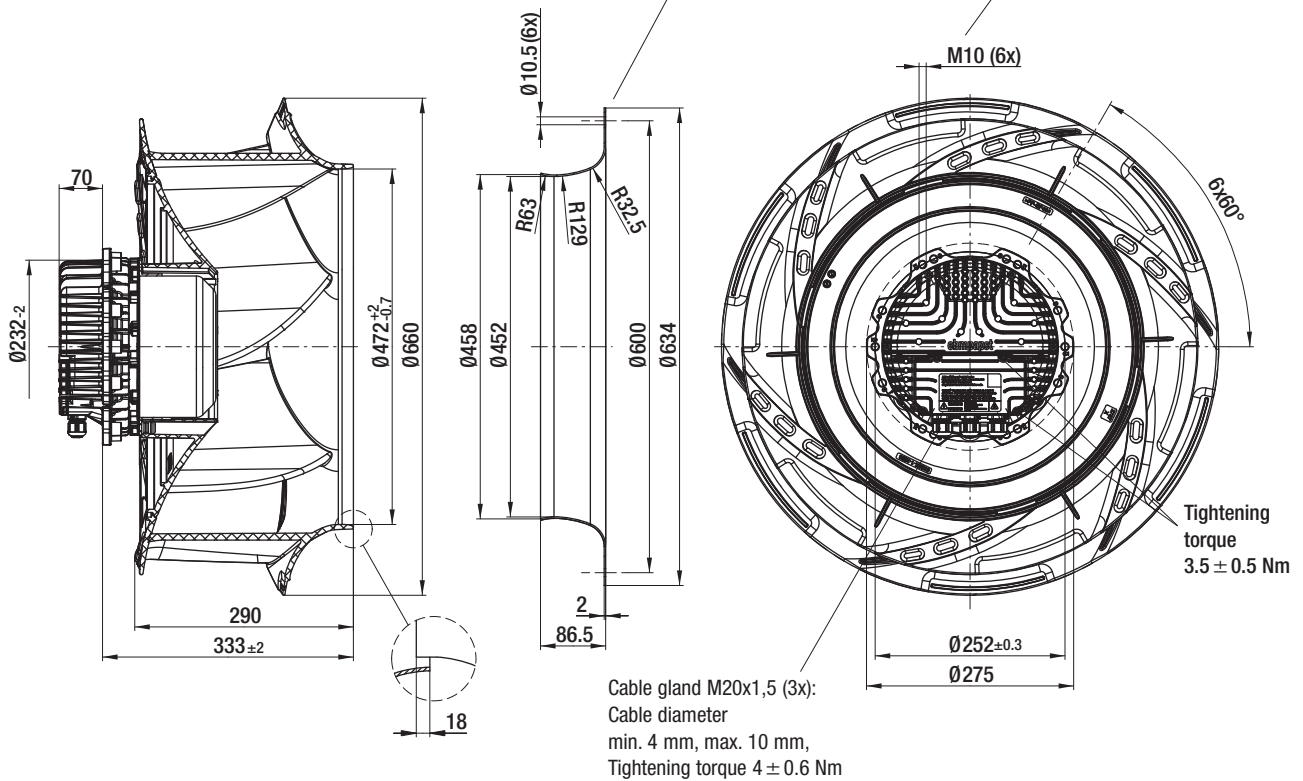
backward curved, Ø 630



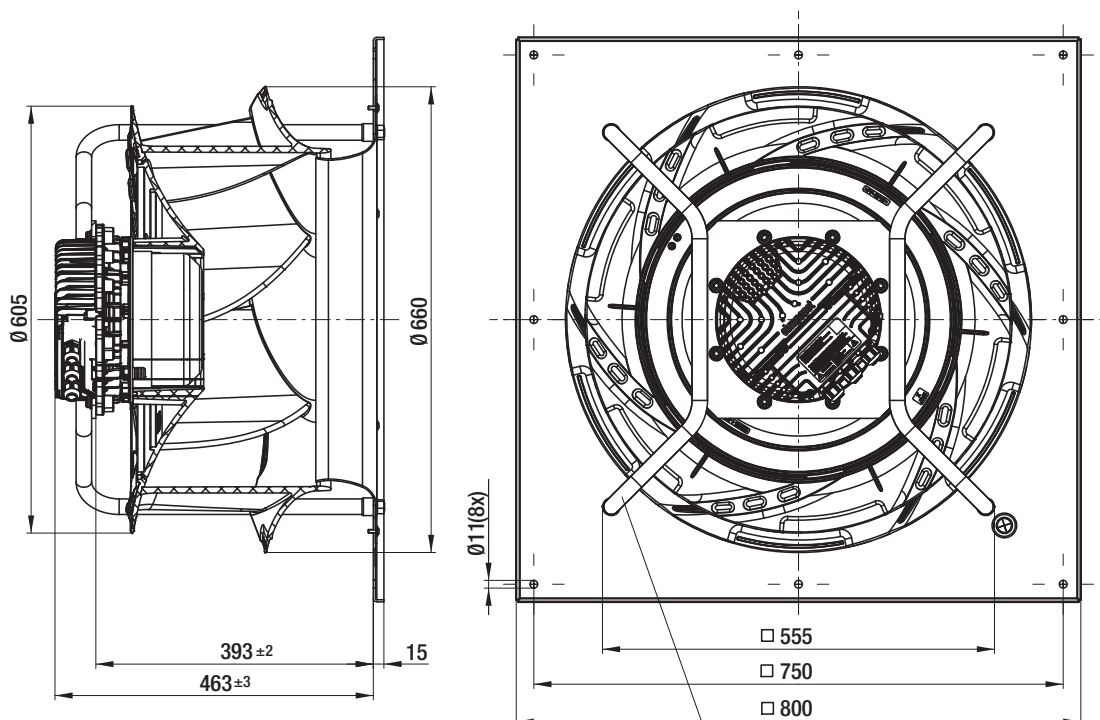
## R3G 630-RA21-71 (Centrifugal fan)

Accessory part: Inlet nozzle 63300-2-4013 not included in the standard scope of delivery

Depth of screw max. 25 mm



## K3G 630-RA21-71 (Centrifugal module with support bracket)



Observe the correct mounting position!  
Install the support struts only as shown in the view!

# EC centrifugal fans – RadiCal

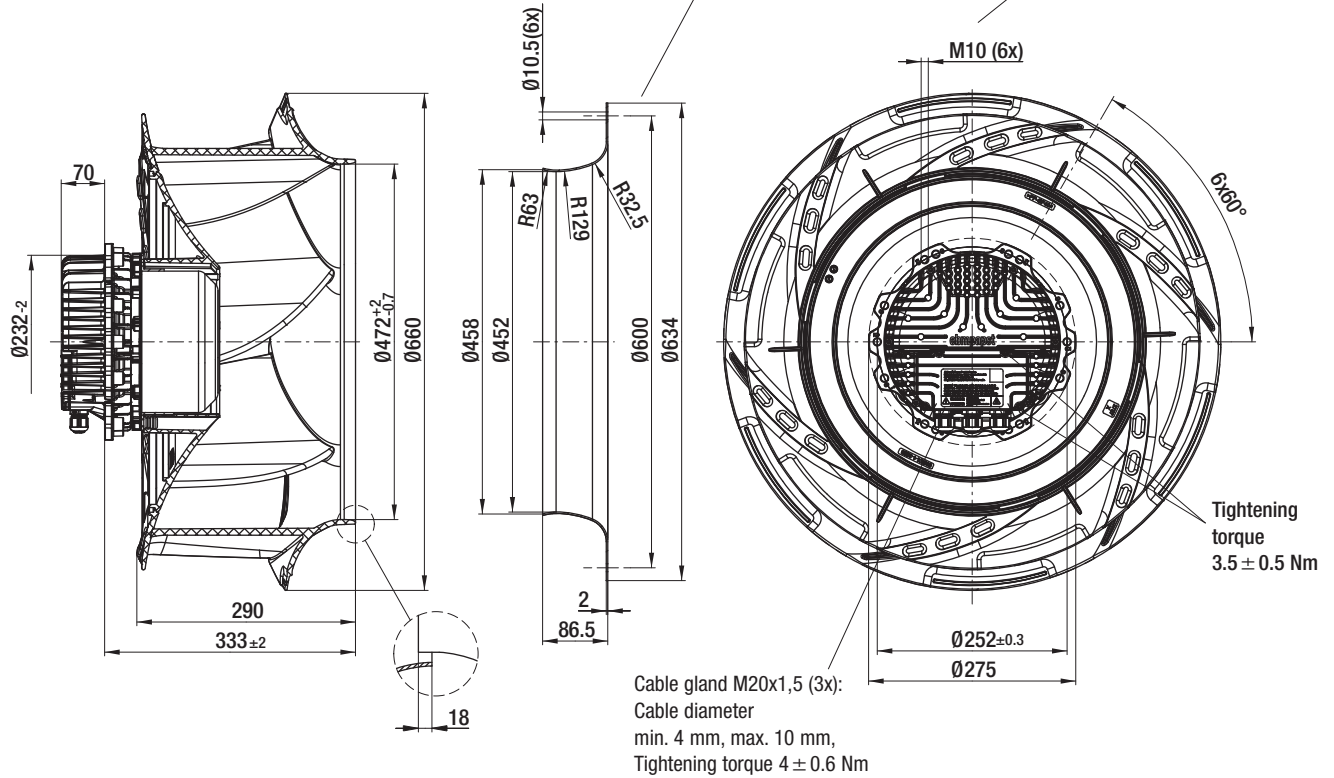
backward curved, Ø 630



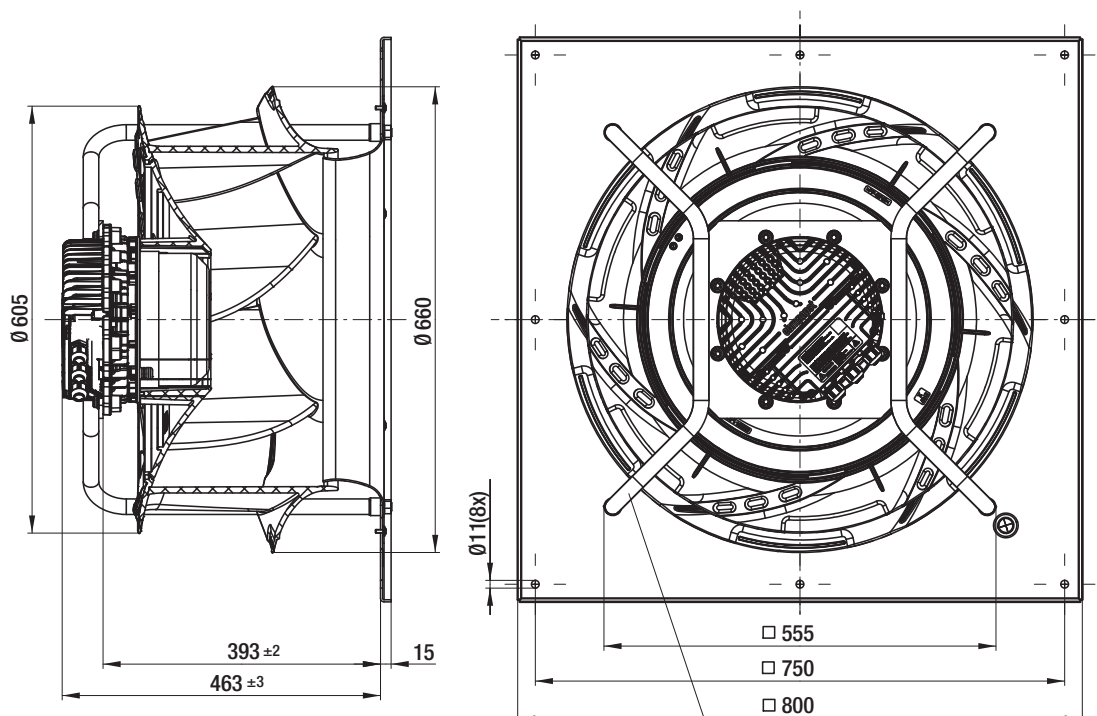
## R3G 630-RB32-71 (Centrifugal fan)

Accessory part: Inlet nozzle 63300-2-4013 not included in the standard scope of delivery

Depth of screw max. 25 mm



## K3G 630-RB32-71 (Centrifugal module with support bracket)



**Observe the correct mounting position!**  
Install the support struts only as shown in the view!