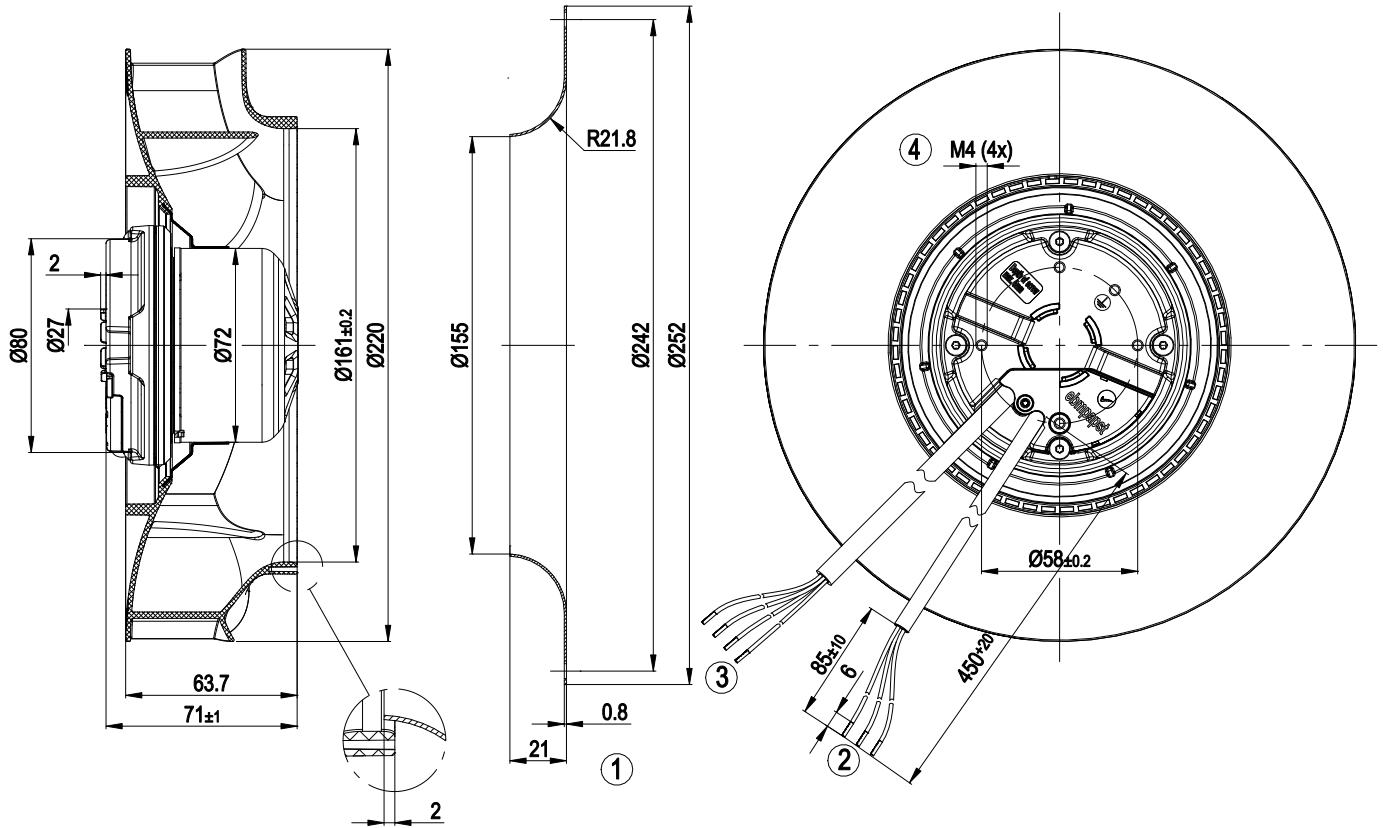


Technical features

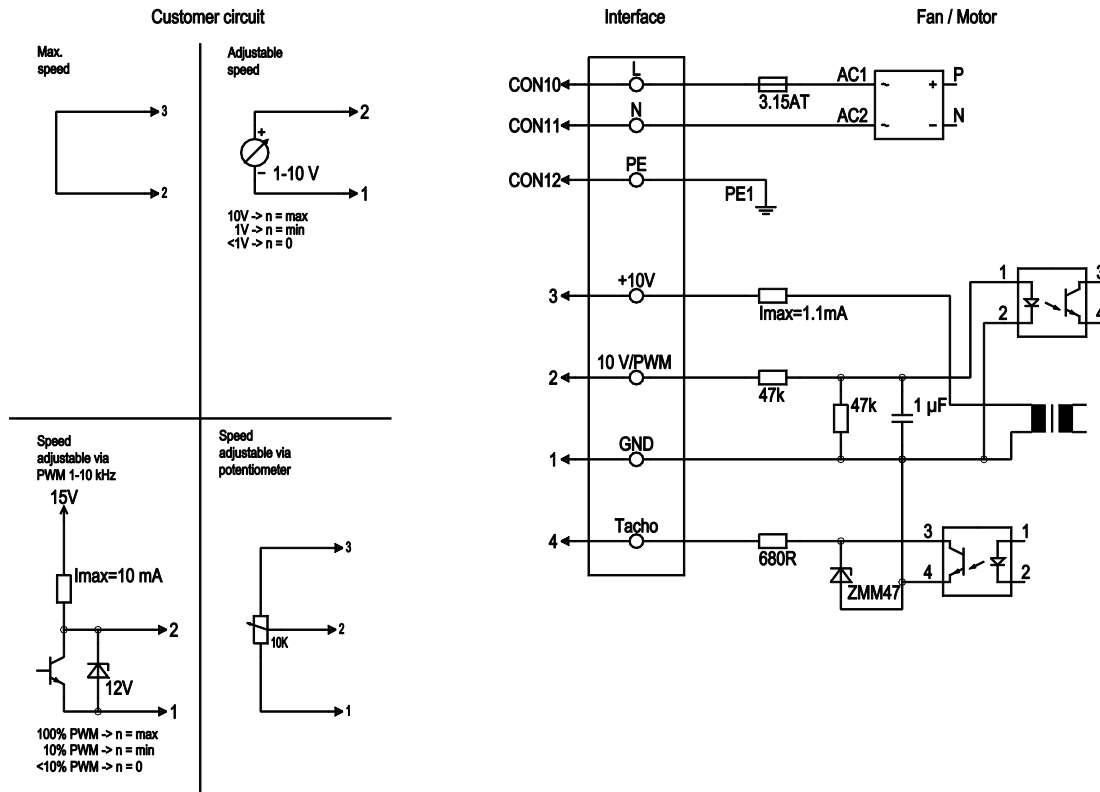
Mass	1.13 kg
Size	220 mm
Surface of rotor	Thick layer passivated
Material of electronics housing	Die-cast aluminium
Material of impeller	PA plastic
Number of blades	7
Direction of rotation	Clockwise, seen on rotor
Type of protection	IP 54
Insulation class	"B"
Max. permissible ambient motor temp. (transp./ storage)	+ 80 °C
Min. permissible ambient motor temp. (transp./storage)	- 40 °C
Mounting position	Any
Condensate discharge holes	None, open rotor
Operation mode	S1
Motor bearing	Ball bearing
Technical features	<ul style="list-style-type: none"> - Output 10 VDC, max. 1.1 mA - Tach output - Output limit - Motor current limit - Soft start - Control input 0-10 VDC / PWM - Control interface with SELV potential safely disconnected from the mains - Overvoltage detection - Over-temperature protected electronics / motor - Line undervoltage detection
EMC interference immunity	Acc. to EN 61000-6-2 (industrial environment)
EMC harmonics	Acc. to EN 61000-3-2/3
EMC interference emission	Acc. to EN 55022 (Class B, household environment), on account of the installation conditions, ferritic damping in the connection line may be required for the application.
Touch current acc. IEC 60990 (measuring network Fig. 4, TN system)	<= 3.5 mA
Motor protection	Locked-rotor protection
Cable exit	Variable
Protection class	I (if protective earth is connected by customer)
Product conforming to standard	EN 60335-1; CE
Approval	CCC; UL 2111; CSA C22.2 No.77; EAC

Product drawing



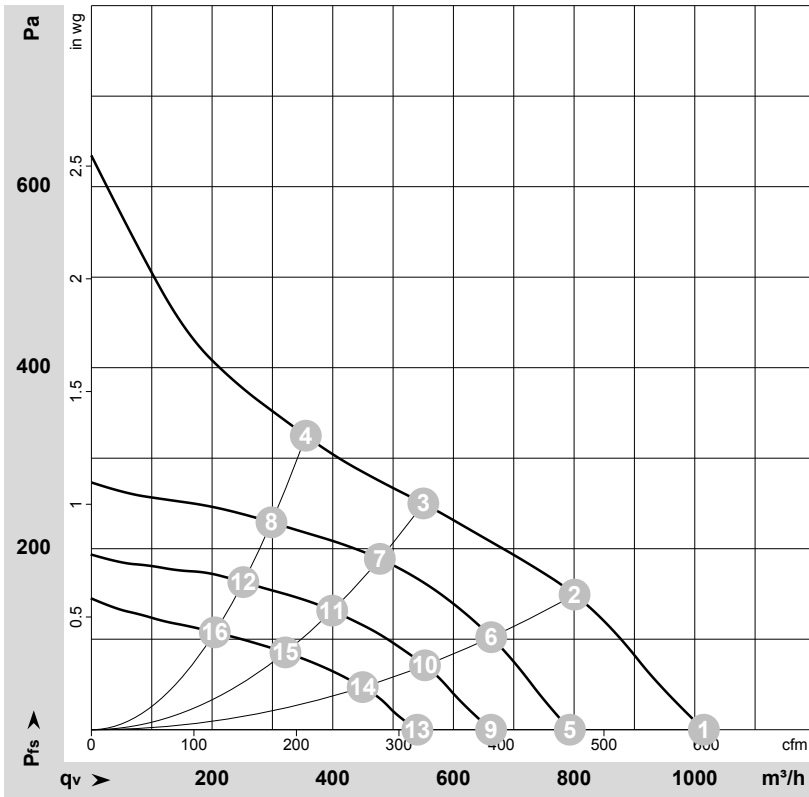
- | | |
|---|---|
| 1 | Accessory part: Inlet nozzle 09609-2-4013, not included in the standard scope of delivery |
| 2 | Connection line PVC 3G AWG20, 3x brass lead tips crimped |
| 3 | Control line PVC 4X AWG22, 4 x brass lead tips crimped |
| 4 | Depth of screw max. 5 mm |

Connection screen



No.	Conn.	Designation	Colour	Function / assignment
	CON10	L	black	Power supply 230 VAC, 50-60 Hz, see type plate for voltage range
	CON11	N	blue	Neutral conductor
	CON12	PE	green/yellow	Protective earth
	1	GND	blue	GND connection for control interface
	2	0-10V PWM	yellow	Control input 0-10 V or PWM, electrically isolated
	3	10 V / max. 1,1 mA	red	Voltage output 10 VDC 1.1 mA, electrically isolated, short-circuit-proof
	4	Tacho	white	Tach output: Open collector, 1 pulse per revolution, electrically isolated

Charts: Air flow 50 Hz



$\rho = 1.15 \text{ kg/m}^3 \pm 2 \%$

Measurement: LU-152958-1
 Measurement: LU-167052-1
 Measurement: LU-152961-1

Air performance measured as per ISO 5801 Installation category A. For detailed information on the measuring set-up, please contact ebm-papst. Suction-side noise levels: LwA measured as per ISO 13347 / LpA measured with 1m distance to fan axis. The values given are valid under the measuring conditions mentioned above and may vary according to the actual installation situation. With any deviation from the standard set-up, the specific values have to be checked and reviewed with the unit installed.

Measured values

	U	f	n	P _{ed}	I	q _v	P _{fs}	q _v	P _{fs}
	V	Hz	min ⁻¹	W	A	m ³ /h	Pa	cfm	inH2O
1	230	50	2815	85	0.70	1015	0	595	0.00
2	230	50	2660	85	0.70	800	150	470	0.60
3	230	50	2580	85	0.70	550	250	325	1.00
4	230	50	2620	85	0.70	355	325	210	1.30
5	230	50	2200	40	0.37	795	0	465	0.00
6	230	50	2200	48	0.44	665	103	390	0.41
7	230	50	2200	55	0.51	480	189	280	0.76
8	230	50	2200	50	0.46	300	229	175	0.92
9	230	50	1855	26	0.27	660	0	390	0.00
10	230	50	1850	31	0.31	555	71	325	0.29
11	230	50	1850	34	0.34	400	132	235	0.53
12	230	50	1860	31	0.32	250	163	150	0.65
13	230	50	1550	17	0.19	540	0	320	0.00
14	230	50	1525	18	0.20	450	47	265	0.19
15	230	50	1500	19	0.21	320	86	190	0.35
16	230	50	1520	19	0.20	205	108	120	0.43

U = Supply voltage · f = Frequency · n = Speed (rpm) · P_{ed} = Power input · I = Current draw · q_v = Air flow · P_{fs} = Pressure increase