

R3G190-RG19-01

EC centrifugal fan - RadiCal

backward-curved, single-intake

ebm-papst Mulfingen GmbH & Co. KG

Bachmühle 2 · D-74673 Mulfingen

Phone +49 7938 81-0

Fax +49 7938 81-110

info1@de.ebmpapst.com

www.ebmpapst.com

Limited partnership · Headquarters Mulfingen

Amtsgericht (court of registration) Stuttgart · HRA 590344

General partner Elektrobau Mulfingen GmbH · Headquarters Mulfingen

Amtsgericht (court of registration) Stuttgart · HRB 590142

Nominal data

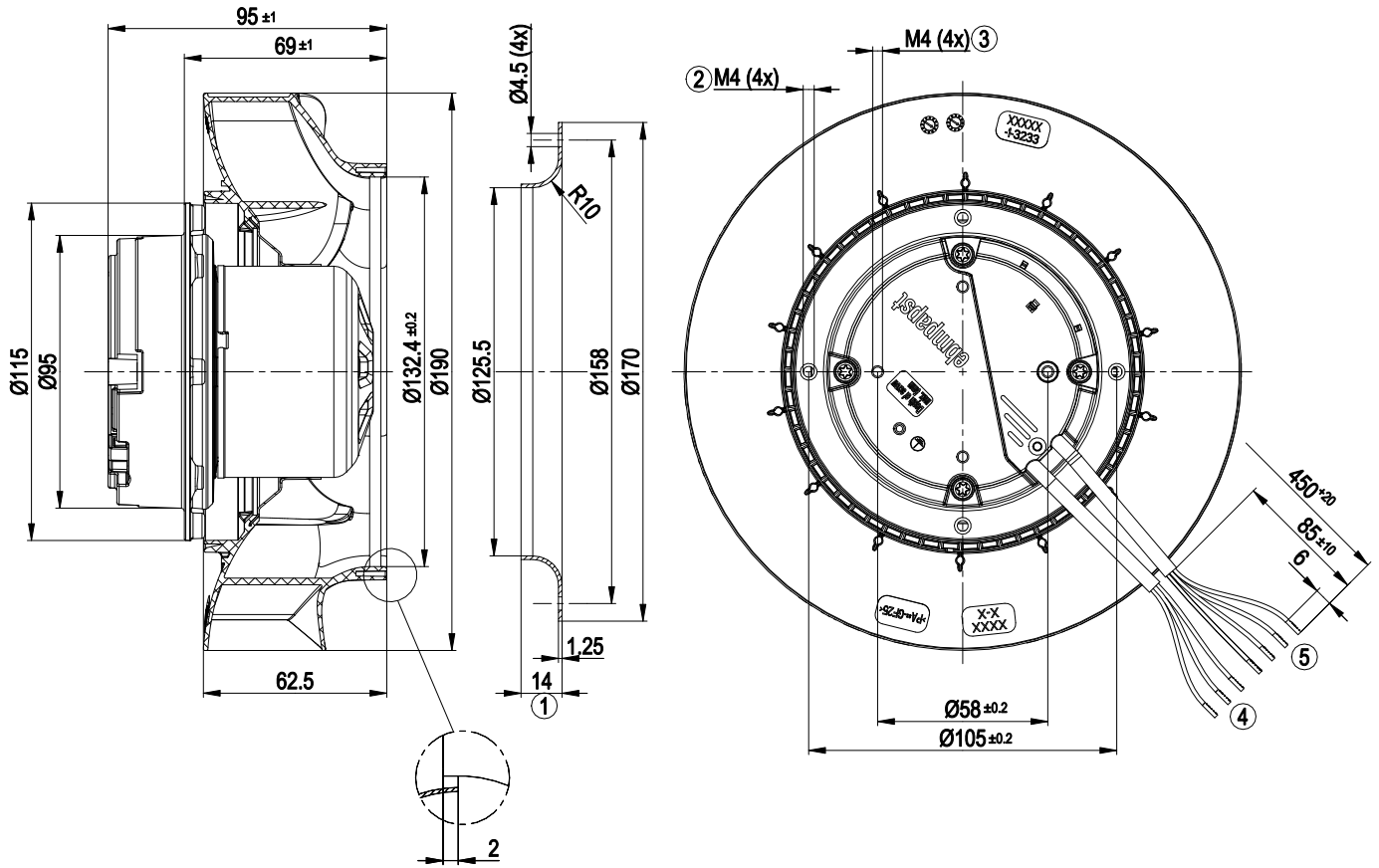
Type	R3G190-RG19-01	
Motor	M3G055-CF	
Phase		1~
Nominal voltage	VAC	230
Nominal voltage range	VAC	200 .. 240
Frequency	Hz	50/60
Method of obtaining data		ml
Speed	min ⁻¹	3635
Power consumption	W	119
Current draw	A	0.9
Min. ambient temperature	°C	-25
Max. ambient temperature	°C	60

ml = Max. load · me = Max. efficiency · fa = Free air · cs = Customer specification · ce = Customer equipment
Subject to change

Technical description

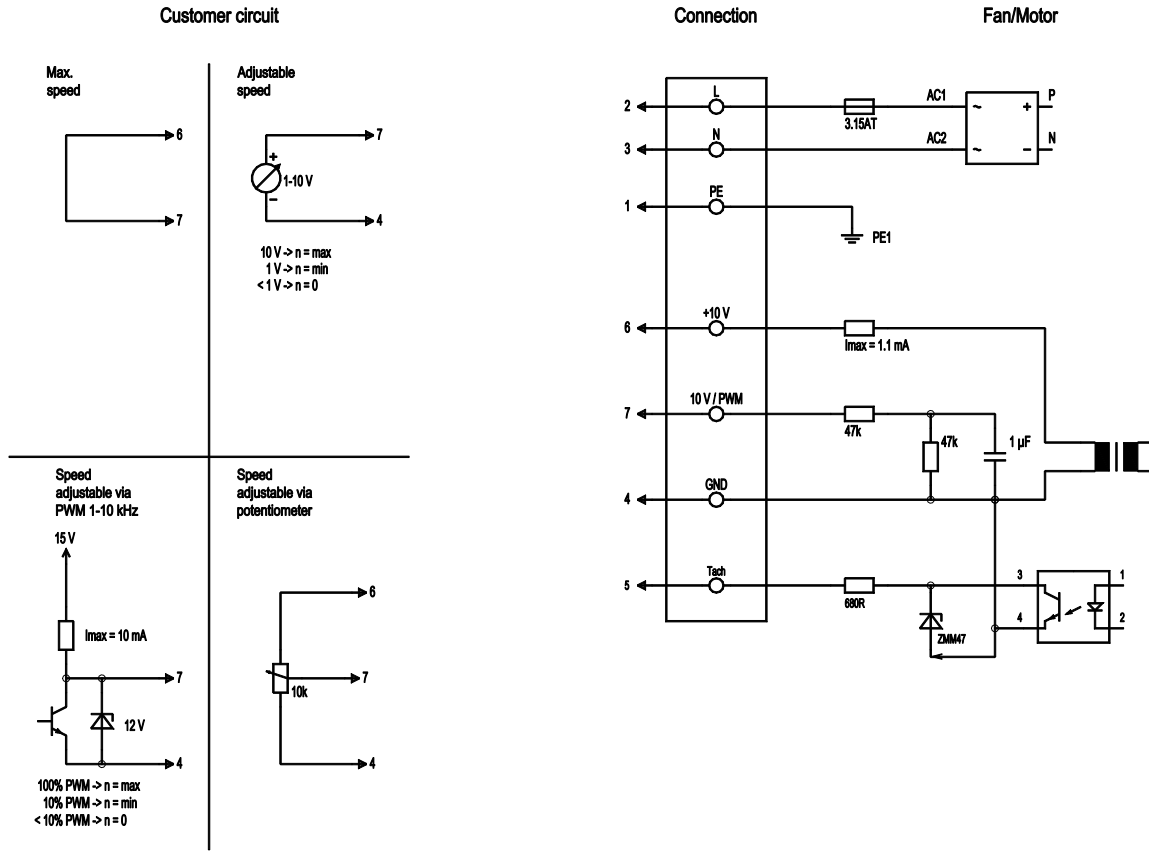
Weight	1.4 kg
Fan size	190 mm
Rotor surface	Thick-film passivated
Electronics housing material	Die-cast aluminum
Impeller material	PA plastic
Number of blades	7
Direction of rotation	Clockwise, viewed toward rotor
Degree of protection	IP54
Insulation class	"B"
Moisture (F) / Environmental (H) protection class	F3-1
Max. permitted ambient temp. for motor (transport/storage)	+ 80 °C
Min. permitted ambient temp. for motor (transport/storage)	- 40 °C
Installation position	Any
Condensation drainage holes	On rotor side
Mode	S1
Motor storage	Ball bearing
Technical features	<ul style="list-style-type: none"> - Output 10 VDC, max. 1.1 mA - Tach output - Motor current limitation - Soft start - Control interface with SELV potential safely disconnected from supply - Thermal overload protection for motor
EMC immunity to interference	According to EN 61000-6-2 (industrial environment)
EMC circuit feedback	According to EN 61000-3-2/3
EMC interference emission	According to EN 61000-6-3 (household environment)
Touch current according to IEC 60990 (measuring circuit Fig. 4, TN system)	<= 3.5 mA
Motor protection	Locked-rotor protection
With cable	Variable
Protection class	I (with customer connection of protective earth)
Conformity with standards	EN 60335-1; CE

Product drawing



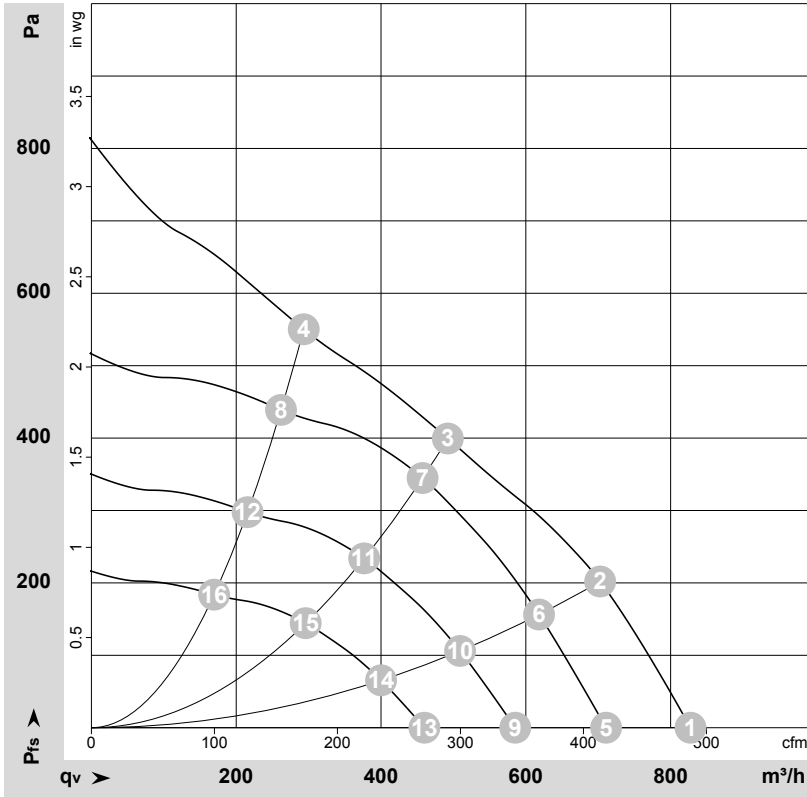
1	Accessory part: inlet ring 09576-2-4013 not included in scope of delivery
2	Max. clearance for screw 6 mm
3	Max. clearance for screw 6 mm
4	Cable PVC 3G 0.5 mm ² , 3x crimped splices
5	Cable PVC 4x 0.25 mm ² , 4x crimped splices

Connection diagram



No.	Conn.	Designation	Color	Function/assignment
	2	L	brown	Power supply 230 VAC, 50-60 Hz, see nameplate for voltage range
	3	N	blue	Neutral conductor
	1	PE	green/yellow	Protective earth
	7	0-10V PWM	yellow	Control input 0-10 V or PWM, electrically isolated
	5	Tacho	white	Tach output: Open collector, 1 pulse per revolution, electrically isolated, I _{sink_max} = 10 mA
	6	10V / max 1.1mA	red	Voltage output 10 V / 1.1 mA, electrically isolated
	4	GND	blue	GND connection for control interface

Curves: Air performance 50 Hz



$\rho = 1,15 \text{ kg/m}^3 \pm 2\%$

Measurement: LU-168963

Air performance measured according to ISO 5801 installation category A. For detailed information on the measurement setup, contact ebm-papst. Intake sound level: Sound power level according to ISO 13347 / sound pressure level measured at 1 m distance from fan axis. The values given are valid under the specified measuring conditions and may vary due to conditions of installation. For deviations from the standard configuration, the parameters have to be checked on the installed unit.

Measured values

	U	f	n	P _{ed}	I	qv	p _{fs}
	V	Hz	min ⁻¹	W	A	m ³ /h	Pa
1	230	50	3960	110	0.90	825	0
2	230	50	3870	119	0.90	705	200
3	230	50	3635	119	0.90	490	400
4	230	50	3805	119	0.90	295	550
5	230	50	3400	69	0.59	710	0
6	230	50	3400	78	0.65	620	157
7	230	50	3400	96	0.79	455	347
8	230	50	3400	85	0.71	260	439
9	230	50	2800	39	0.33	585	0
10	230	50	2800	43	0.36	510	107
11	230	50	2800	54	0.44	375	235
12	230	50	2800	47	0.40	215	297
13	230	50	2200	19	0.16	460	0
14	230	50	2200	21	0.18	400	66
15	230	50	2200	26	0.21	295	145
16	230	50	2200	23	0.19	170	184

U = Power supply · f = Frequency · n = Speed · P_{ed} = Power consumption · I = Current draw · qv = Air flow · p_{fs} = Pressure increase