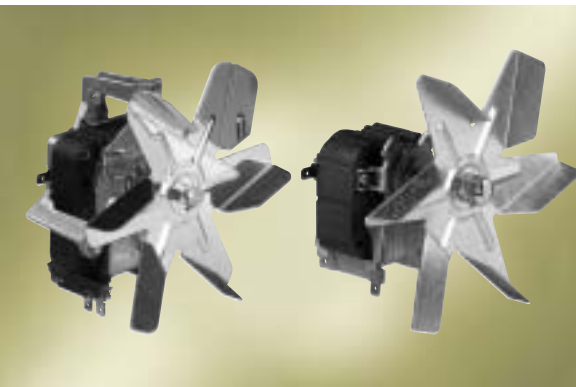


Hot air blowers

R2K, RR



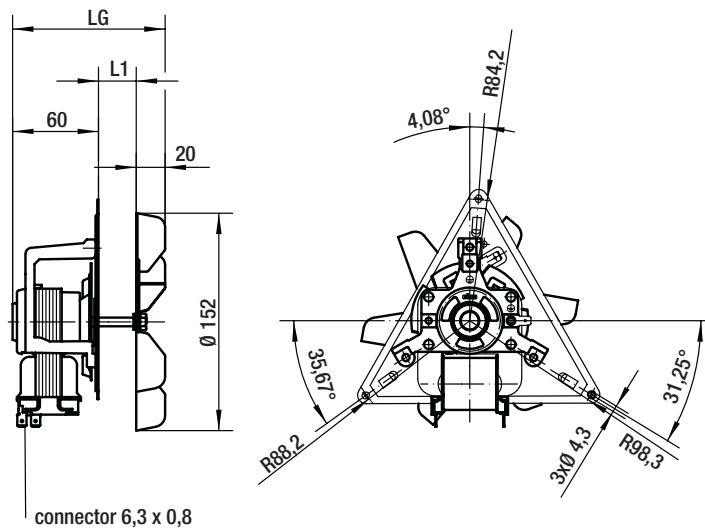
- bearing: R2K150 ball bearings „unit bearing“, integrated in rotor
RR 152 sintered sleeve bearings with additional lubricant depot
- mounting position: R2K150 all mounting positions possible
RR 152 horizontal shaft
- impeller: R2K150 stainless steel
RR 152 FAL sheet steel
- mounting bracket: R2K150 three armed with triangular plate
RR 152 bayonet type
- insulation class: H (EN 60335)

ebm-papst • Landshut

| Nominal data | rated voltage | frequency | air flow | max. pressure increase | power input | speed | mass | recommended air intake | Dimensions mm | | |
|------------------|---------------|-----------|-------------------|------------------------|-------------|-------------------|------|------------------------|---------------|----|------|
| | V | Hz | m ³ /h | Pa | W | min ⁻¹ | kg | Ø | L1 | L2 | LG |
| R2K150-AC | 230 | 50 | 200 | 155 | 32 | 2000 | 1 | 120 | 19 | - | 98,5 |
| RR152-3025LH | 230 | 50 | 190 | 150 | 37 | 2000 | 0,85 | 120 | 18,5 | 61 | - |

Technical data valid for typical applications; bold print = standard type; subject to alterations

R2K150



RR152

