

Hot air blowers

R2E 180, R2D 225



- material: impeller of stainless steel
- bearings: maintenance-free ball bearings
- direction of rotation: R2E 180 -AH: counter-clockwise, seen on impeller
R2D 225 -AG: clockwise, seen on impeller
- connection leads: terminal strip

ebm-papst • Mulfingen

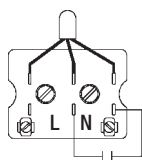
Nominal data		characteristic curve	rated voltage	frequency	air flow	current draw	power input	speed	mass	capacitor
type	motor		V	Hz	m ³ /h	A	W	min ⁻¹	kg	μF/VDB
R2E 180 -AH05-06	M2E068-DF	①	230	50	480	0,51	115	2600	3,1	3,0/400
			230	60	520	0,68	155	2850	3,1	3,0/400
R2D 225 -AG02-10*)	M2D068-EC	②	230/400	50	1265	0,29	165	2700	4,0	-
			230/400	60	1395	0,39	250	3000	4,0	-

*) current draw established at 400 VAC (V), subject to alterations

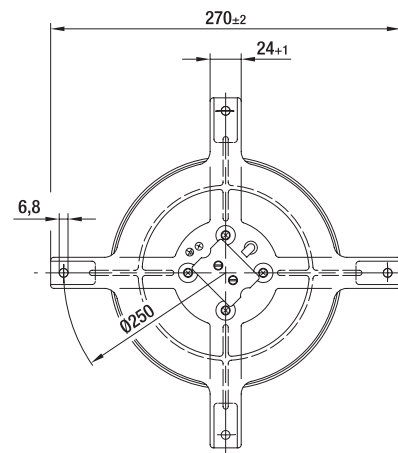
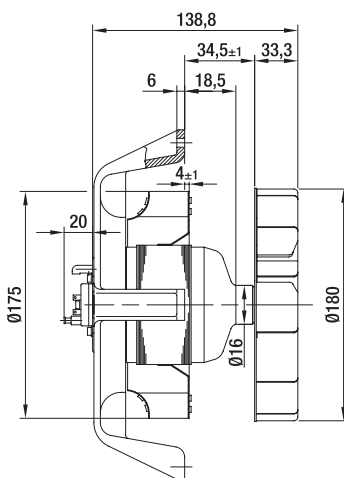
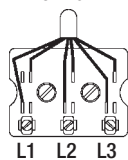
R2E 180

electrical connection:

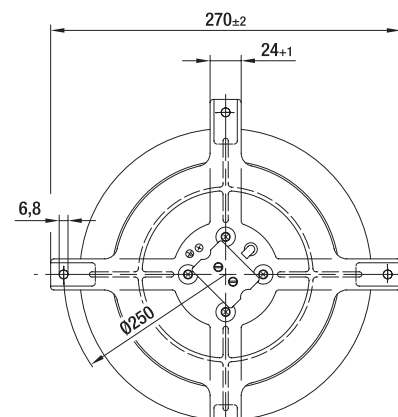
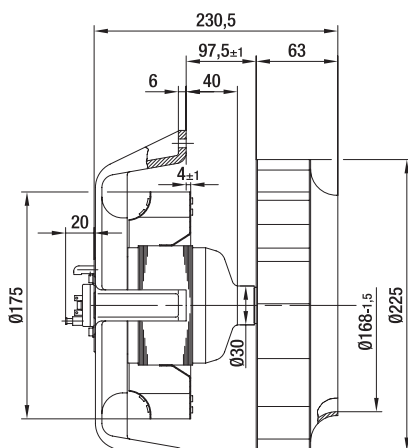
R2E 180 -AH



R2D 225 -AG



R2D 225



Characteristic curves

