

Tangential blowers

QLK 45 with EC motor



Tangential blowers with electronically commutated EC-motors.

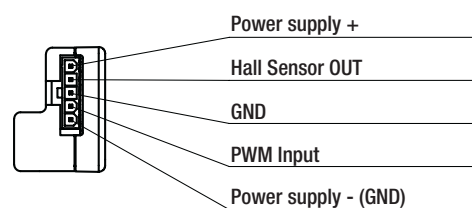
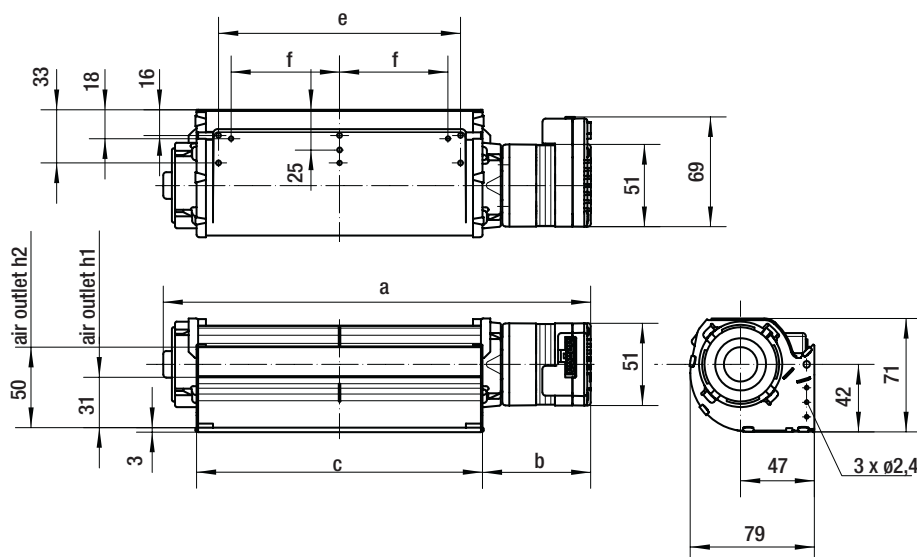
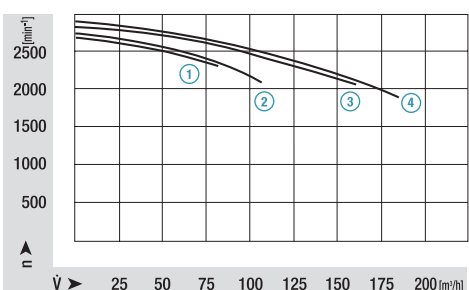
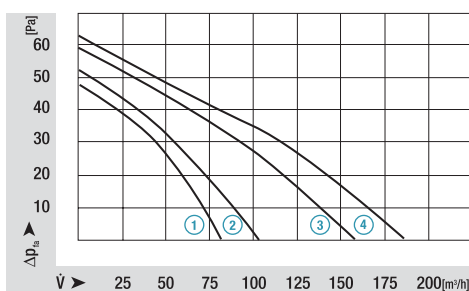
- integrated electronics
- blower speed variable via PWM (pulse width modulation) signal, optionally speed adjustment via 0 - 10 V analoguous voltage signal
- impeller diameter 45 mm
- horizontal or vertical mounting position with motor at the bottom
- protection class IP20, insulation class F
- permissible ambient temperature 0 – 60 °C

ebm-papst • Landshut

Nominal data		rated voltage VDC	air flow m ³ /h	max. pressure increase Pa	power input W	speed min ⁻¹	mass kg	Dimensions mm				
motor right*	motor left							a	b	c	e	f
QLK45/1200-2212	QLK45/0012-2212	24	80	50	7	2250	0,65	215	70	122	94	39
QLK45/1800-2212	QLK45/0018-2212	24	110	55	8	2050	0,7	275	70	182	154	69
QLK45/2400-2212	QLK45/0024-2212	24	160	60	10	2050	0,75	335	70	242	212	98
QLK45/3000-2212	QLK45/0030-2212	24	190	60	11	1900	0,8	395	70	302	272	128

*) Corresponding to dimensional drawing; Technical data are preliminary and valid at free air flow and rated voltage; subject to alterations

Characteristic curves



suitable for connector Molex Mini-Fit, Jr. (not part of delivery)
connector: order number 39-01-4050
female terminal: for example 39-00-0059