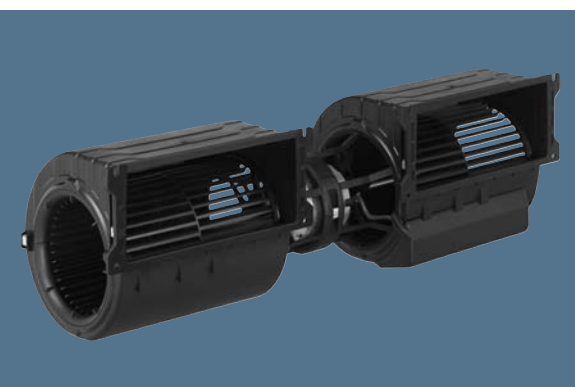


AC centrifugal fan combination

forward curved, dual inlet, with housing, Ø 133

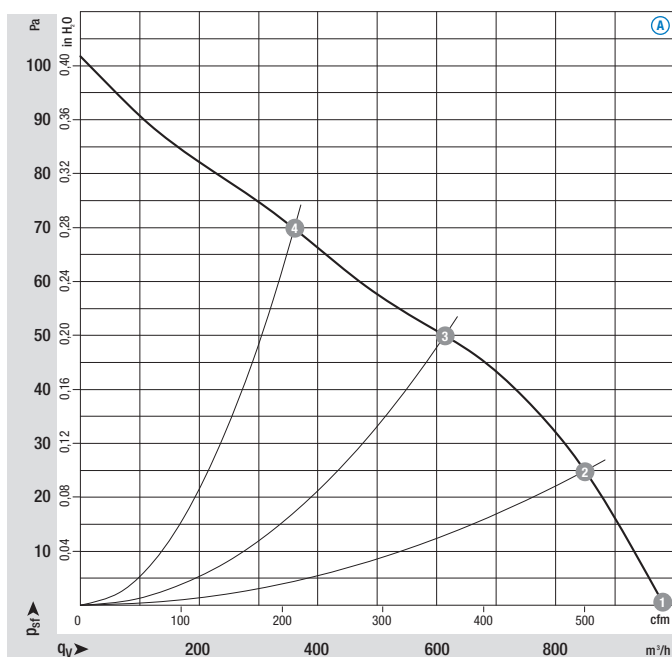


- **Material:** Housing: Plastic PP, black
Impeller: Plastic PA, black
Rotor: Partially cast in aluminium
- **Direction of rotation:** Clockwise, seen on rotor
- **Type of protection:** IP 44
- **Insulation class:** "F"
- **Mounting position:** Any
- **Condensate discharges:** None
- **Mode of operation:** Continuous operation (S1)
- **Design:** Centrifugal fan combination with housing and integrated terminal box, SAL-Motor anti-vibration mounted on both sides
- **Bearings:** Maintenance-free ball bearings

Nominal data		Curve	Nominal voltage range	Frequency	Flow rate	Speed/rpm	Input power	Current draw	Capacitor capacity	Min. back pressure	Perm. amb. temp.	Electr. connection
Type	Motor		VAC	Hz	m³/h	rpm	W	A	µF/VDB	Pa	°C	
K4E 133	M4E 068-DF	Ⓐ	1~ 230	50	980	1000	78	0,35	2,5/400	0	-25..+60	---

subject to alterations

Curves



Air performance measured as per: ISO 5801, Installation category A, in ebm-papst scroll housing and without protection against accidental contact

	n rpm	P _e W	I A	L _{WA} dB(A)
Ⓐ 1	1000	78	0,35	59
Ⓐ 2	1100	74	0,32	57
Ⓐ 3	1215	68	0,30	55
Ⓐ 4	1305	62	0,27	54

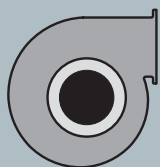
Suction-side noise levels: L_{WA} as per ISO 13347, L_{pA} measured at 1 m distance to fan axis

The acoustic values given are only valid under the measurement conditions listed and may vary depending on the installation situation.

With any deviation to the standard setup, the specific values have to be checked and reviewed once installed or fitted!

For detailed information see page 36 ff.

- **Motor protection:** TOP wired internally
- **Cable exit:** variable
- **Protection class:** I
- **Product conforming to standards:** EN 60335-1, CE



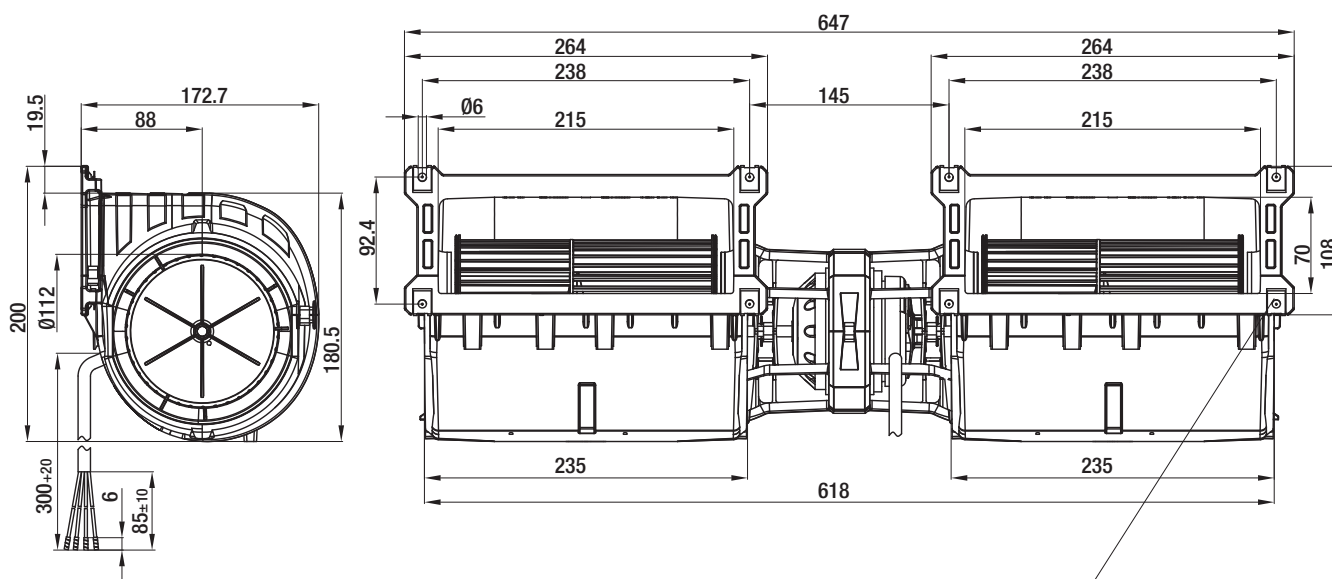
Mass

Centrifugal fan with housing & flange

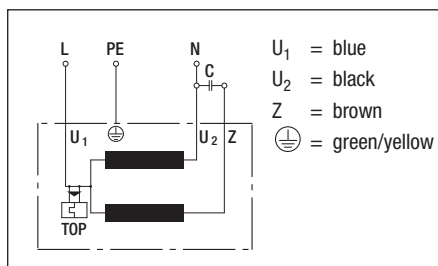
kg

K4E 133-LA69 -02

3,5



Electr. connection



4 x sheet metal nut for thread EN ISO 1478-ST4,8 (min. screw length 14,5 mm plus thickness of mounting material)