

# AC centrifugal fans – RadiCal

backward curved, Ø 190



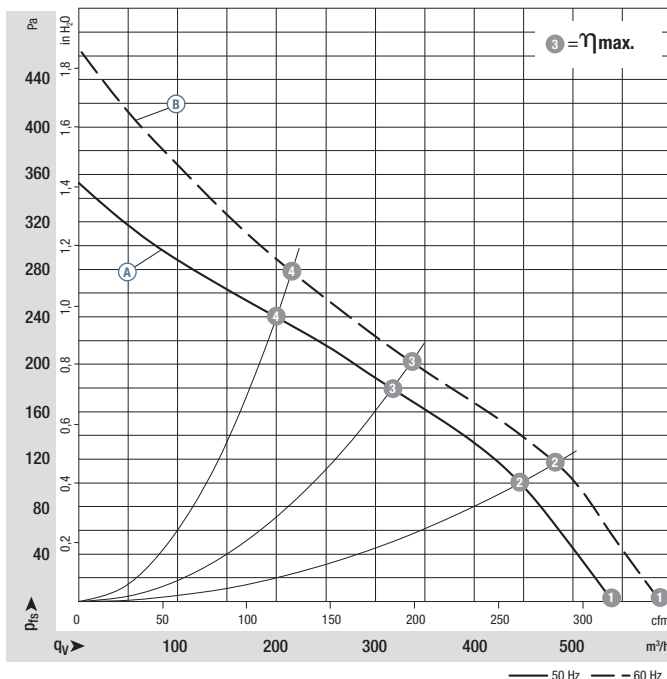
- **Material:** Housing: Plastic PA 6, fibreglass-reinforced  
Impeller: Plastic PA 6, fibreglass-reinforced  
Rotor: Coated in black
- **Number of blades:** 7
- **Direction of rotation:** Clockwise, seen on rotor
- **Type of protection:** IP 44, depending on installation and position in acc. to EN 60034-5
- **Insulation class:** "B"
- **Mounting position:** any
- **Condensate discharges:** Rotor-side
- **Mode of operation:** Continuous operation (S1)
- **Bearings:** Maintenance-free ball bearings

Nominal data		Curve	Nominal voltage	Frequency	Speed/rpm <sup>(1)</sup>	Max. input power <sup>(1)</sup>	Max. current draw <sup>(1)</sup>	Capacitor	Perm. amb. temp.	Electrical connection
Type	Motor	VAC	Hz	rpm	W	A	µF/VDB	°C	p. 170	
*2E 190	M2E 068-BF	Ⓐ 1~ 230	50	2350	52	0,23	1,5 / 400	-25..+65	A1)	
		Ⓑ 1~ 230	60	2500	65	0,29	1,5 / 400	-25..+75		

subject to alterations

(1) Nominal data in operating point with maximum load and 230 VAC

## Curves:



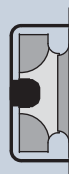
	n rpm	P <sub>ed</sub> W	I A	L <sub>WA</sub> dB(A)
Ⓐ ①	2480	48	0,22	66
Ⓐ ②	2440	49	0,22	63
Ⓐ ③	2350	52	0,23	60
Ⓐ ④	2435	50	0,22	62
Ⓑ ①	2720	60	0,27	68
Ⓑ ②	2645	62	0,27	66
Ⓑ ③	2500	65	0,29	62
Ⓑ ④	2615	63	0,27	65

Air performance measured as per: ISO 5801, Installation category A, with ebm-papst inlet nozzle without protection against accidental contact. Suction-side noise levels: L<sub>WA</sub> as per ISO 13347, L<sub>pA</sub> measured at 1 m distance to fan axis. The acoustic values given are only valid under the measurement conditions listed and may vary depending on the installation situation. With any deviation to the standard setup, the specific values have to be checked and reviewed once installed or fitted! For detailed information see page 172 ff.

- **Motor protection:** TOP wired internally
- **Touch current:** < 0,75 mA acc. to IEC 60990 (test circuit, illustration 4)
- **Cable exit:** Variable (R2E)
- **Connection leads:** Plug system (K2E)
- **Protection class:** I (if customer has provided connection for protective earth)
- **Product conforming to standards:** EN 60335-1, CE
- **Approvals:** R2E: CCC, GOST  
K2E: CCC



Mass of centrifugal fan



Mass of centrifugal module with support basket

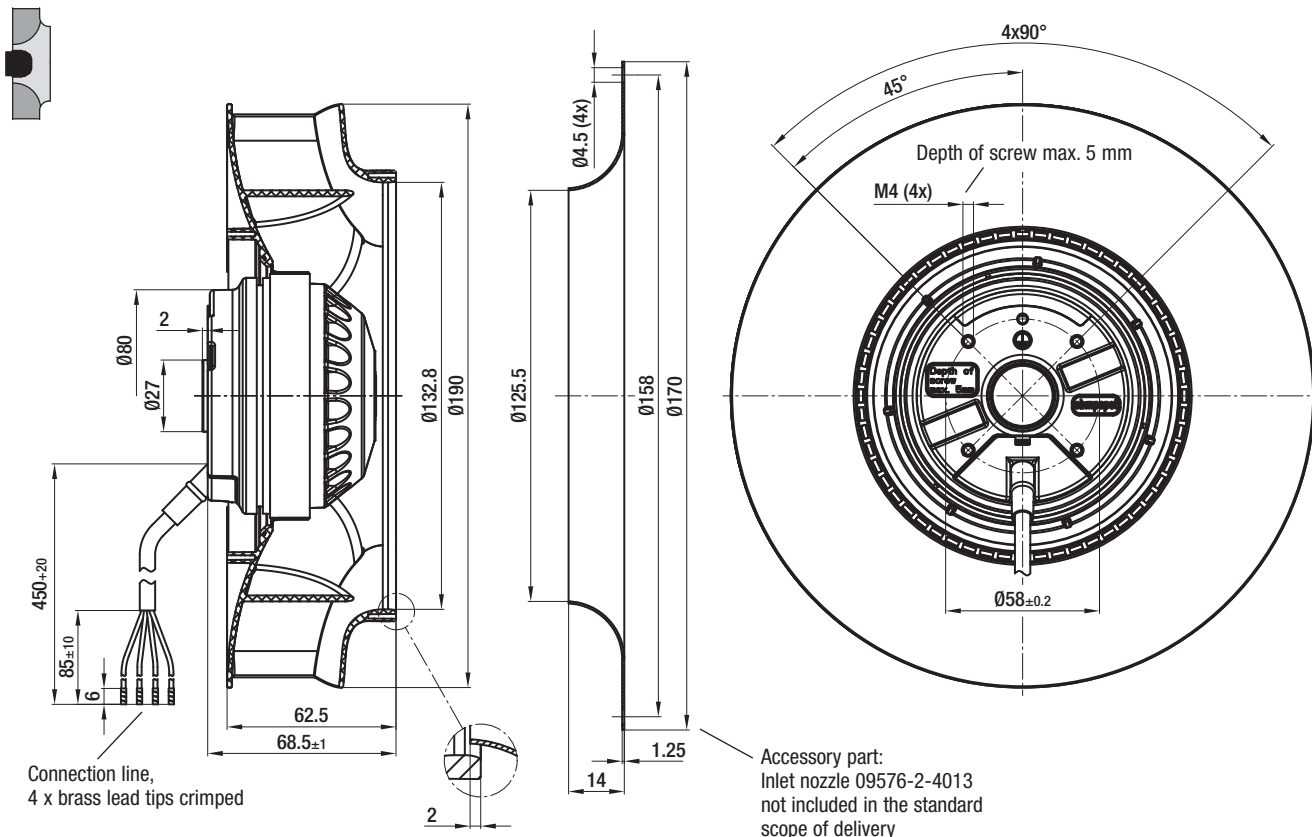
Centrifugal fan	kg	Centrifugal module w. support basket	kg
R2E 190-RA26 -05	1,3	K2E 190-RA26 -01	1,7

# AC centrifugal fans – RadiCal

backward curved, Ø 190



## R2E 190-RA26-05 (Centrifugal fan)



## K2E 190-RA26-01 (Centrifugal module with support basket)

