

Radial blowers with EC external-rotor motor

G3G250 – 400 VAC



material

- housing: die-cast aluminium
- impeller: sheet aluminium
- rotor: coated in black
- electronics enclosure: die-cast aluminium

interface

- see page 89, interface no. 8

premix

- If gas needs to be premixed in the blower, then a special blower will have to be used. For further details, please contact us.

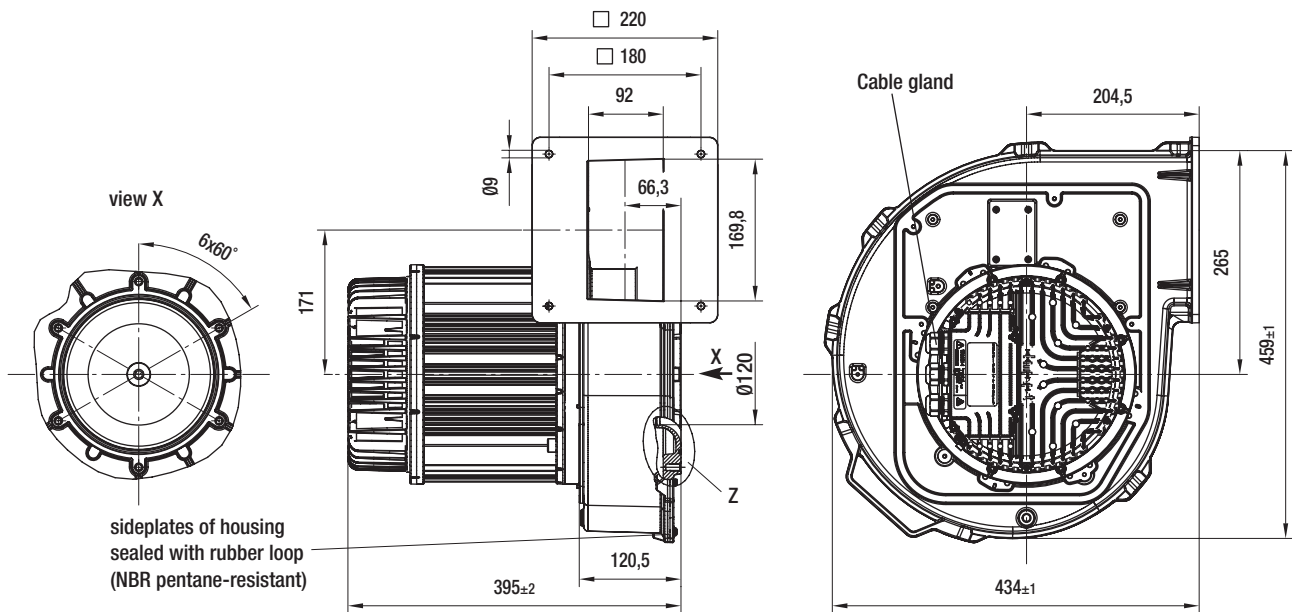
approvals

- VDE, UL, CSA, GOST are applied for

ebm-papst • Mulfingen

Nominal data	characteristic curve	voltage range	frequency	air volume	max. power input*	speed*	max. current draw	perm. temp. of medium	perm. amb. motor temp.	mass
type	VAC	Hz	m ³ /h	kW	min ⁻¹	A	°C	°C	kg	
G3G 250 -MW50 -01	① 3~	380-480	50/60	2200	2,5	6400	4,0	50	50	22,3

subject to alterations; Nominal data established at 400 VAC



Characteristic curves

