

Radial blowers with EC external-rotor motor

G3G250 – 230 VAC

material

- housing: aluminium
- impeller: sheet aluminium
- cover: plastic PP30TV

interface

- see interface 81, interface no. 6

premix

- If gas needs to be premixed in the blower, then a special blower will have to be used. For further details, please contact us.

approvals

- 115 VAC: UL

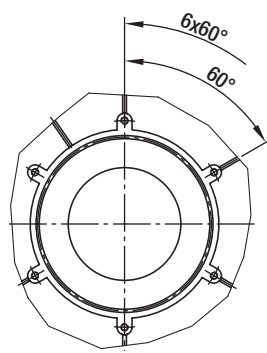
ebm-papst · Muldingen



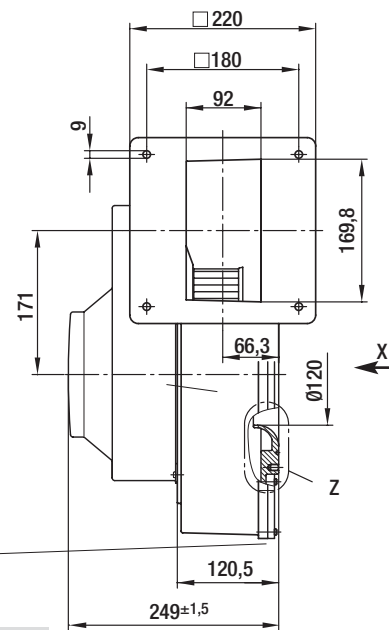
Nominal data		characteristic curve	voltage	frequency	air volume	power input	speed	current draw	perm. temp. of medium	perm. amb. motor temp.	mass
type			VDC	Hz	m³/h	W	min⁻¹	A	°C	°C	kg
G3G 250 -GN39 -01	②		115	50/60	1650	1110	4850	12,0	60	60	12,8
G3G 250 -GN44 -01	①		230	50/60	1500	860	4550	3,8	60	60	12,8
G3G 250 -GN17 -01	②		230	50/60	1650	1030	4850	4,5	60	60	12,8

subject to alterations

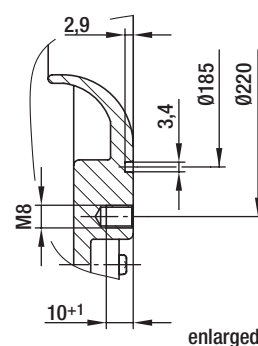
view X



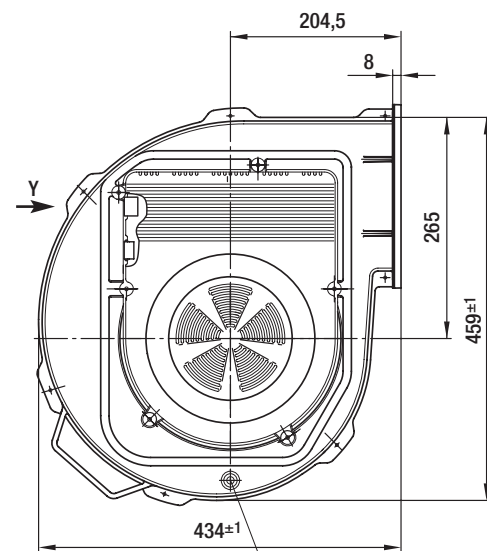
sideplates of housing sealed with rubber loop (NBR pentane-resistant)



detail Z



enlarged

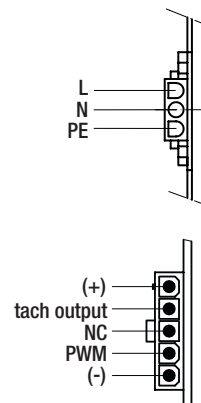


pressure tapping is possible

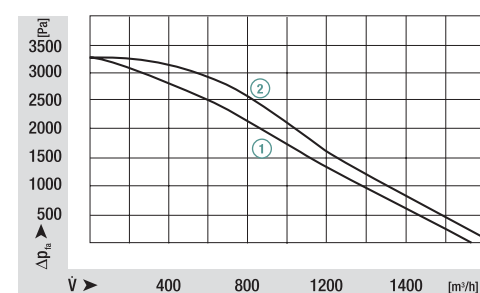
view Y

mains connection
3-pole header mating connector (not part of delivery): tyco no. 350 766-1
female terminal: tyco no. 926 884-1

control
5-pole header mating connector (not part of delivery): Molex no. 39-01-4050
female terminal:



Characteristic curves

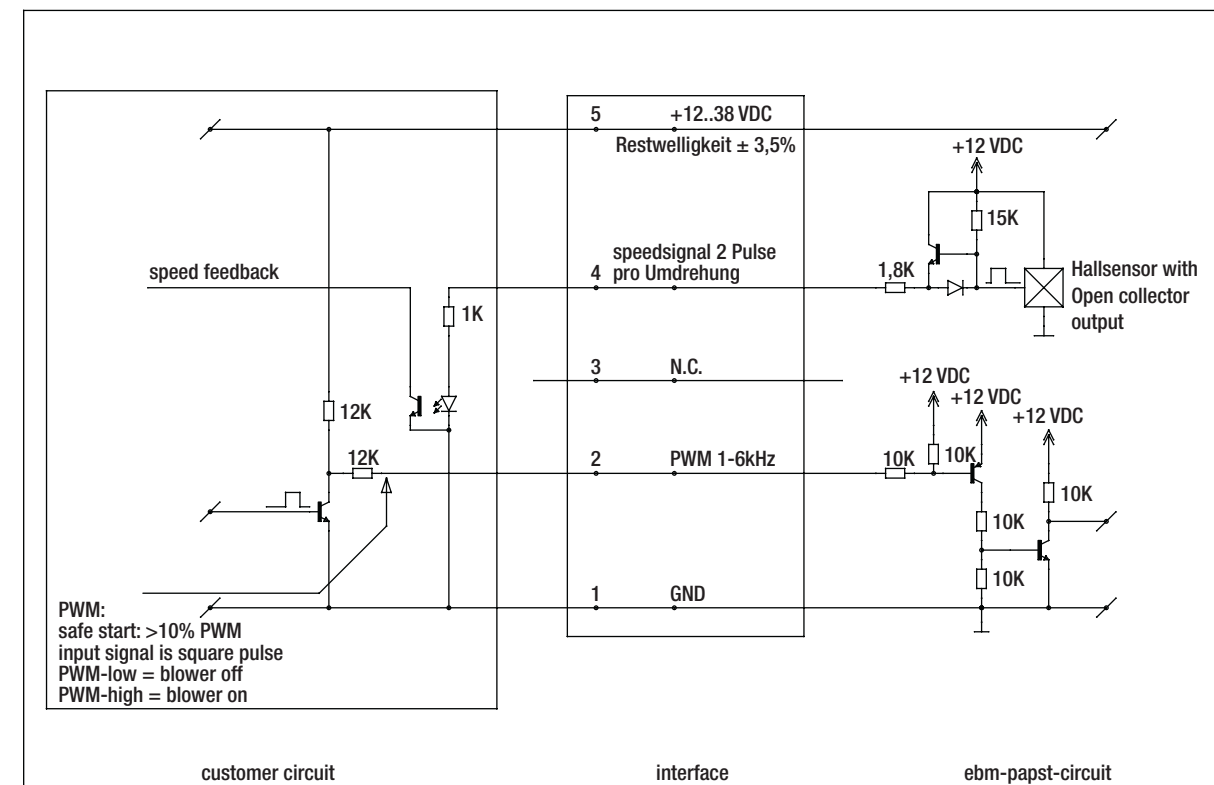


Interfaces

for blowers with EC internal-rotor motor BG3612/3633

standard interface 1

24 VDC control Gasmodul compatible



standard interface 2

230 VAC, 50/60 Hz 120 VAC, 50/60 Hz control Gasmodul compatible (alternative for L&S)

