

Radial blowers with EC external-rotor motor

G3G200 – 115/230 VAC



material

- housing: aluminium
- impeller: sheet aluminium
- cover: plastic PPTD20

interface

- see page 88, interface no. 7

premix

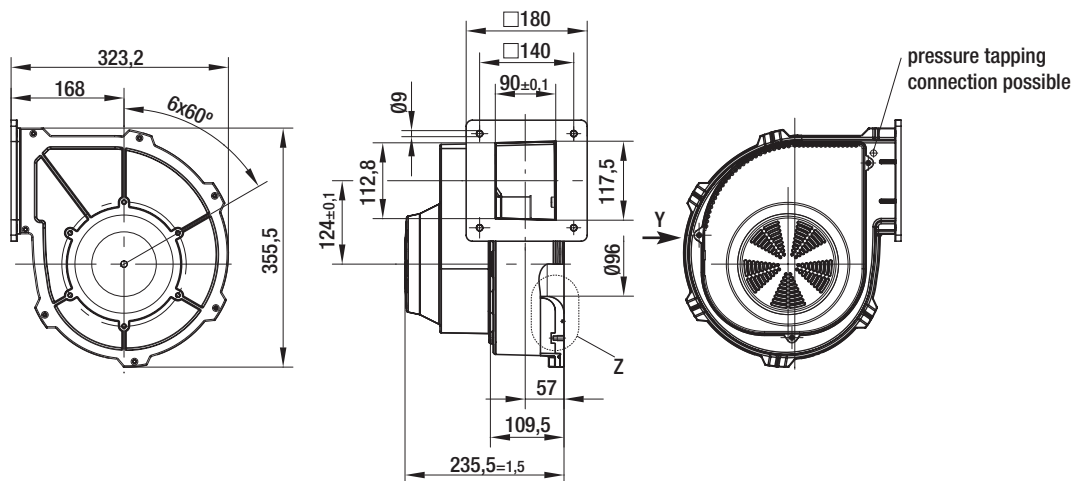
- If gas needs to be premixed in the blower, then a special blower will have to be used. For further details, please contact us.

ebm-papst • Mulfingen

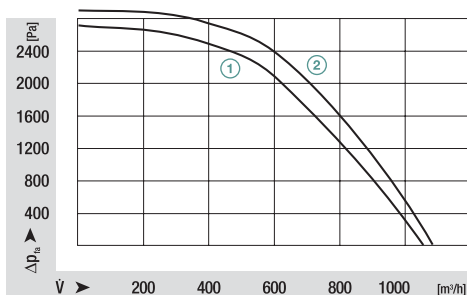
Nominal data

type	characteristic curve	voltage range VAC	frequency Hz	air volume m ³ /h	max. power input* W	speed* min ⁻¹	max. current draw* A	perm. temp. of medium °C	perm. amb. motor temp. °C	mass kg
G3G 200 - GN26-01 (intake variant A)	①	100-130	50/60	1000	800	5700	10,5	60	60	10,2
G3G 200 - GN18-01 (intake variant A)	①	208-240	50/60	1000	750	5700	3,6	60	60	10,2
G3G 200 - GN20-01 (intake variant A)	②	208-240	50/60	1100	890	6100	4,3	60	60	10,2
G3G 200 - GN26-20 (intake variant B)	①	100-130	50/60	1000	800	5700	10,5	60	60	10,2
G3G 200 - GN18-20 (intake variant B)	①	208-240	50/60	1000	750	5700	3,6	60	60	10,2

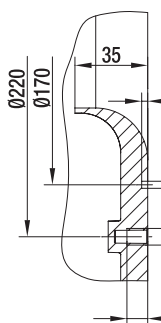
subject to alterations; *nominal data in duty point at maximum load and 100 respectively 208 VAC



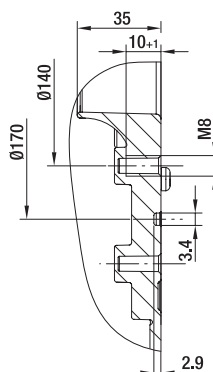
Characteristic curves



Detail Z
(intake variant A)



Detail Z
(intake variant B)



view Y

mains connection
3-pole header
mating connector
(not part of delivery):
tyco no. 350 766-1
female terminal:
tyco no. 926 884-1

control
5-pole header
mating connector
(not part of delivery):
Molex no. 39-01-4050
female terminal:
Molex no. 39-00-0059

