

# Axial blowers AC, NoFrost design

EM2513LN



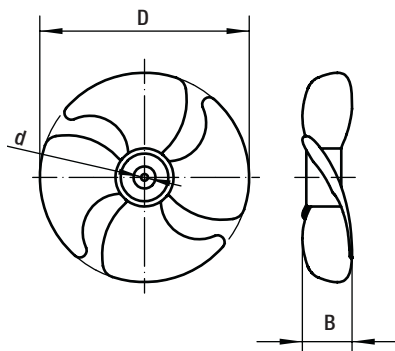
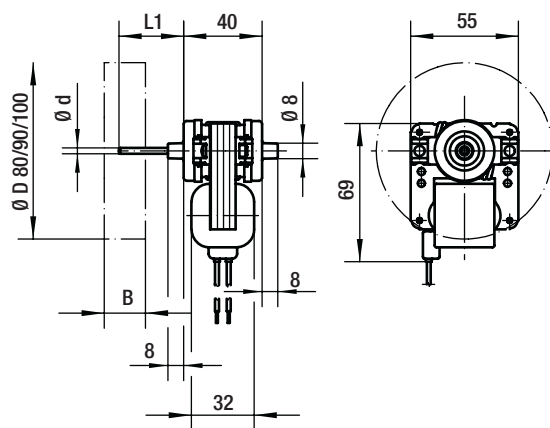
Circulation blowers are required in chest and upright freezers with automatic defrost function ("NoFrost" technology) as well as in chiller compartments in refrigerators. In these appliances, blowers must meet special requirements:

- Low power input for placing the appliance in low energy efficiency classes
- Long service life as a result of the long periods which they are switched on
- Resistance of the winding, bearing systems and the electronics in temperatures of as low as  $-40^{\circ}\text{C}$  and relative humidity values of up to 95%
- Low noise to comply with maximum demands as to comfort.

ebm-papst • Landshut

Nominal data	rated voltage	rated frequency	power input (230V)	rated current	speed	Dimensions mm			
						type	V	Hz	W
EM2513LN	220-240	50	4,2	37	2650	80	3,0/3,17	27	26,5
EM2513LN	220-240	50	4,5	38	2600	90	3,0/3,17	21	26,5
EM2513LN	220-240	50	4,8	40	2400	100	3,0/3,17	26,5	26,5

subject to alterations



motor suspension

