

EC centrifugal fans

forward curved, dual inlet, with housing, Ø 146



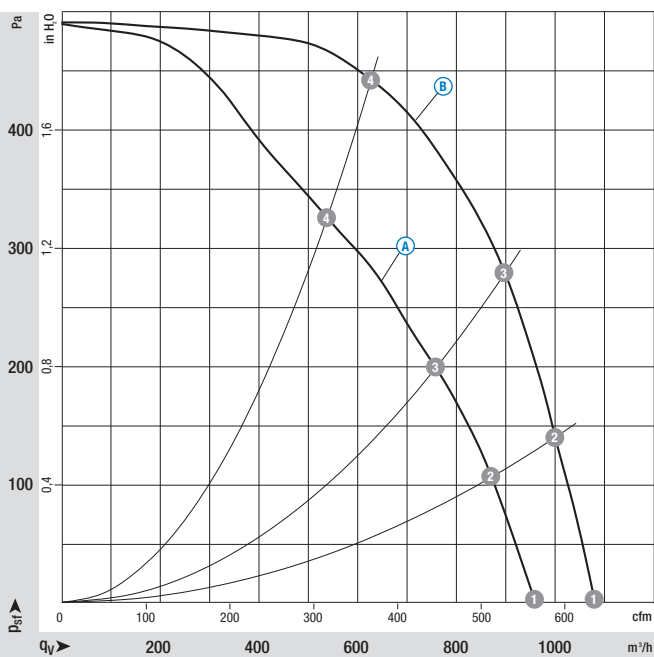
- **Material:** Housing: Plastic PP, black
Impeller: Plastic PP, white
Rotor: Galvanised
Electronics housing: Plastic PP, black
- **Direction of rotation:** Counter-clockwise, seen on rotor
- **Type of protection:** IP 44
- **Insulation class:** "F"
- **Mounting position:** Any
- **Condensate discharges:** None, open rotor
- **Mode of operation:** Continuous operation (S1)
- **Design:** Motor anti-vibration mounted on both sides
- **Bearings:** Maintenance-free ball bearings

| Nominal data | | Curve | Nominal voltage range | Frequency | Speed/rpm ⁽¹⁾ | Max. input power ⁽¹⁾ | Max. current draw ⁽¹⁾ | Min. back pressure | Perm. amb. temp. | Electr. connection |
|--------------|------------|-------|-----------------------|-----------|--------------------------|---------------------------------|----------------------------------|--------------------|------------------|--------------------|
| Type | Motor | VAC | Hz | rpm | W | A | Pa | °C | p. 33 | |
| D3G 146 | M3G 055-DF | Ⓐ | 1~ 200-240 | 50/60 | 1830 | 165 | 1,30 | 0 | -25..+50 | H5) |
| D3G 146 | M3G 055-DF | Ⓑ | 1~ 200-240 | 50/60 | 2400 | 230 | 1,80 | 0 | -25..+50 | H5) |

subject to alterations

(1) Nominal data in operating point with maximum load and 230 VAC Ⓐ at 100 Pa and Ⓑ at 270 Pa)

Curves



Air performance measured as per: ISO 5801, Installation category A, in ebm-papst scroll housing and without protection against accidental contact

Suction-side noise levels: L_{wA} as per ISO 13347, L_{pA} measured at 1 m distance to fan axis

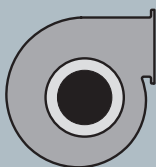
The acoustic values given are only valid under the measurement conditions listed and may vary depending on the installation situation.

With any deviation to the standard setup, the specific values have to be checked and reviewed once installed or fitted!

For detailed information see page 36 ff.

| | n rpm | P _e W | I A | L _{wA} dB(A) |
|-----|-------|------------------|------|-----------------------|
| Ⓐ 1 | 1610 | 165 | 1,30 | 70 |
| Ⓐ 2 | 1830 | 165 | 1,30 | 69 |
| Ⓐ 3 | 2005 | 152 | 1,20 | 68 |
| Ⓐ 4 | 2280 | 124 | 1,00 | 69 |
| Ⓑ 1 | 1790 | 189 | 1,47 | 73 |
| Ⓑ 2 | 2110 | 216 | 1,65 | 72 |
| Ⓑ 3 | 2400 | 230 | 1,80 | 71 |
| Ⓑ 4 | 2670 | 182 | 1,42 | 72 |

- **Technical features:**
 - Control input 0-10 VDC / PWM
 - Output 10 VDC max. 1,1 mA
 - Over-temperature protected motor
 - **Motor protection:** TOP wired internally
 - **EMC:** Interference immunity acc. to EN 61000-6-2
 - **Leakage current:** <= 3,5 mA acc. to EN 60335-1
 - **Connection leads:** Via plug
 - **Protection class:** I
 - **Product conforming to standards:** EN 60335-1, CE
 - **Approvals:** VDE, UL are applied for
- Tach output
 - Motor current limitation
 - Soft start



Mass

Centrifugal fan with housing & flange

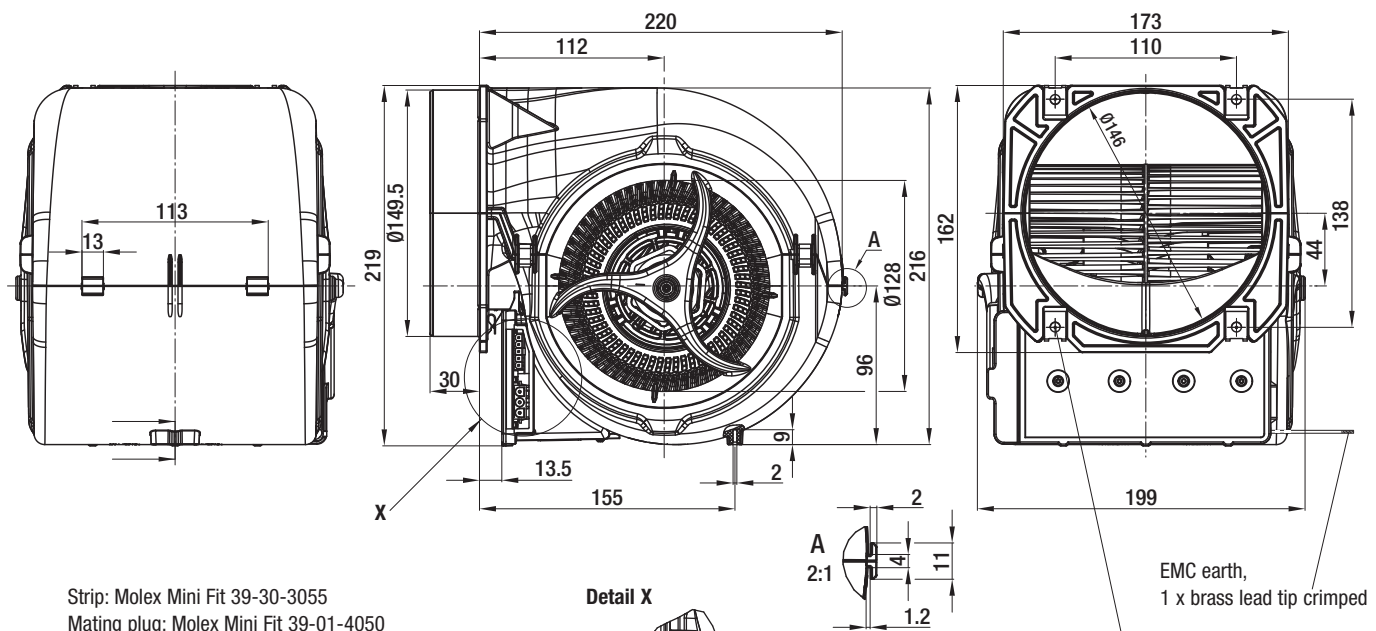
kg

D3G 146-HQ01 -01

2,4

D3G 146-HQ13 -04

2,4



Strip: Molex Mini Fit 39-30-3055

Mating plug: Molex Mini Fit 39-01-4050

1 = GND

2 = not assigned

3 = 0-10V lin. / PWM

4 = Tacho

5 = 10V

Pin socket: AMP Mate-N-Lok 1-350943-0

Mating plug: AMP Mate-N-Lok 350766-4

6 = PE

7 = N

8 = L

4 x sheet metal nut for thread EN ISO 1478-ST4,8
(min. screw length 14,5 mm plus thickness of mounting material)