

# AC centrifugal fans

forward curved, dual inlet, with housing, Ø 146

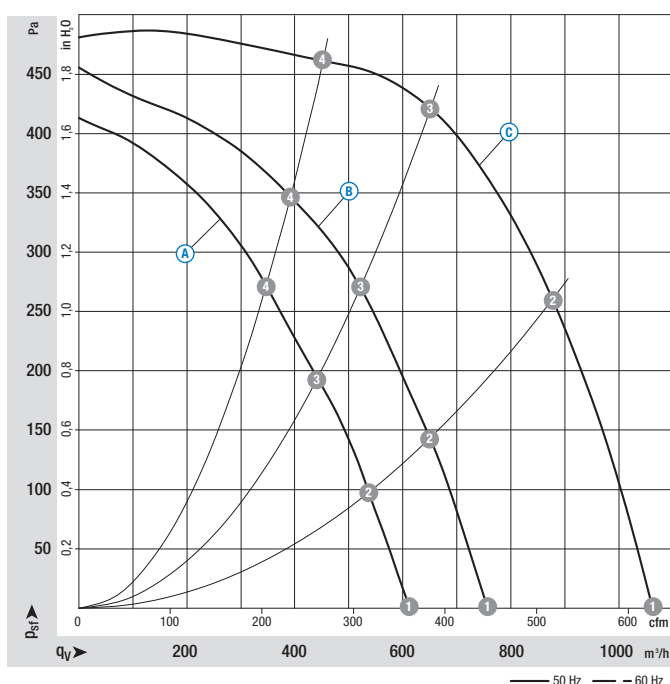


- **Material:** Housing: Plastic PP, black  
Impeller: (A) (B) Plastic PP, white (C) Galvanised sheet steel  
Rotor: Partially cast in aluminium  
Terminal box: Plastic PP, black
- **Direction of rotation:** Counter-clockwise, seen on rotor
- **Type of protection:** IP 20
- **Insulation class:** "F"
- **Mounting position:** Any
- **Condensate discharges:** None
- **Mode of operation:** Continuous operation (S1)
- **Design:** 4-step centrifugal fan with housing and integrated terminal box, EW-Motor anti-vibration mounted on both sides
- **Bearings:** Maintenance-free ball bearings

Nominal data		Curve	Nominal voltage range	Frequency	Flow rate	Speed/rpm	Input power	Current draw	Capacitor capacity	Min. back pressure	Perm. amb. temp.	Electr. connection
Type	Motor		VAC	Hz	m³/h	rpm	W	A	µF/VDB	Pa	°C	
D2E 146	M2E 068-CF	(A)	1~ 230	50	615	1030	140	0,62	3,5/400	0	-25..+50	---
			1~ 230	60	430	1630	145	0,65	3,5/400	150	-25..+45	
D2E 146	M2E 068-DF	(B)	1~ 230	50	755	1350	195	0,86	5,0/400	0	-25..+45	---
			1~ 230	60	580	1750	215	0,94	5,0/400	150	-25..+40	
D2E 146	M2E 068-EC	(C)	1~ 230	50	1060	1850	355	1,55	8,0/450	0	-25..+55	---
			1~ 230	60	875	2100	400	1,75	8,0/450	200	-25..+50	

subject to alterations

## Curves



Air performance measured as per: ISO 5801, Installation category A, in ebm-papst scroll housing and without protection against accidental contact



Suction-side noise levels: L<sub>wA</sub> as per ISO 13347, L<sub>pA</sub> measured at 1 m distance to fan axis

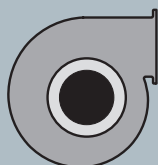
The acoustic values given are only valid under the measurement conditions listed and may vary depending on the installation situation.

With any deviation to the standard setup, the specific values have to be checked and reviewed once installed or fitted!

For detailed information see page 36 ff.

	n rpm	P <sub>e</sub> W	I A	L <sub>wA</sub> dB(A)
(A) 1	1030	140	0,62	60
(A) 2	1420	134	0,58	60
(A) 3	1820	126	0,55	62
(A) 4	2105	117	0,52	65
(B) 1	1350	195	0,86	66
(B) 2	1775	186	0,81	65
(B) 3	2110	173	0,76	66
(B) 4	2350	160	0,71	68
(C) 1	1850	355	1,55	77
(C) 2	2225	305	1,32	73
(C) 3	2470	259	1,13	74
(C) 4	2610	227	0,99	74

- **Motor protection:** TOP wired internally
- **Connection leads:** Via plug
- **Protection class:** I
- **Capacitor:** FPU (P2) integrated in terminal box completely wired up and ready for plug-in
- **Product conforming to standards:** EN 60335-2-31, CE
- **Approvals:** VDE,   GOST



Mass

Dimensions

Centrifugal fan with housing & flange

kg

A

B

C

D2E 146-HR93 -A1

3,0

195

53

12

D2E 146-HS97 -03

3,5

195

53

12

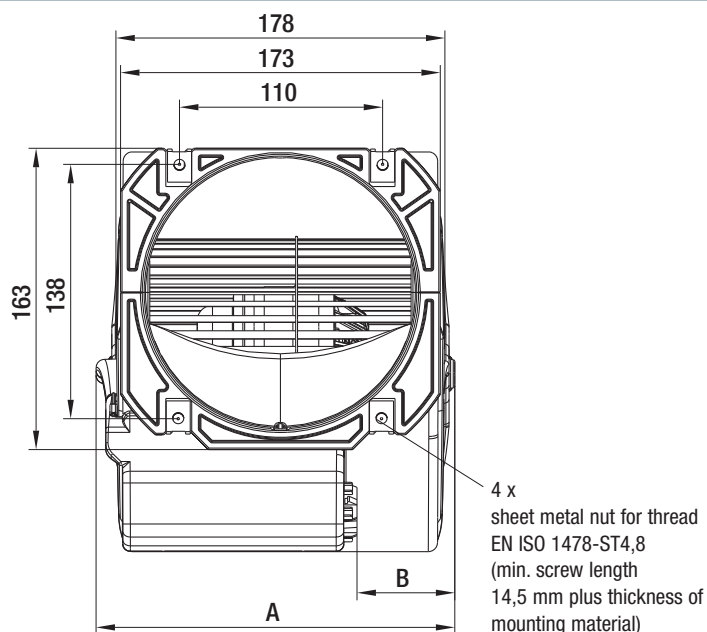
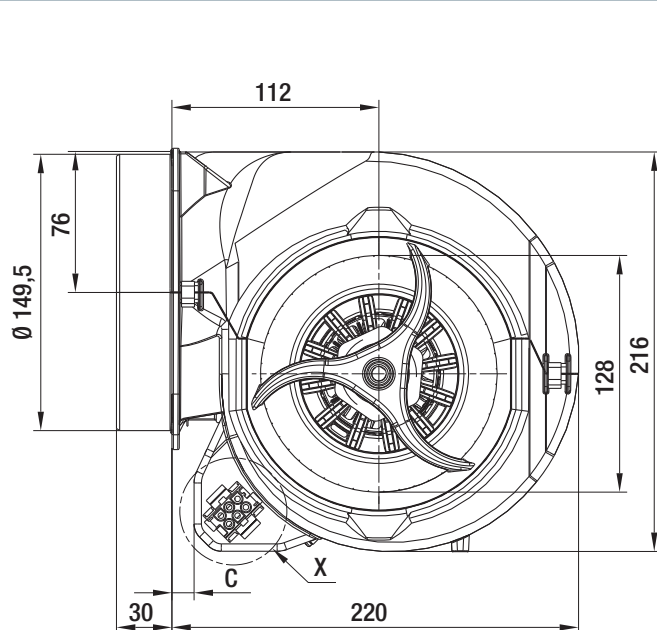
D2E 146-HT67 -02

3,6

199

35

7



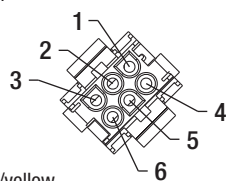
#### Detail X

AMP Universal Mate-N-Lok coded plug system

Connector shell: AMP 926 682-3

6 x plug pin: AMP 926 886-1

- 1 = Step 1 (min.) white
- 2 = Step 2 red
- 3 = Step 3 grey
- 4 = Step 4 (max.) black
- 5 = N blue
- 6 = Protective earth green/yellow



#### Electrical connection

When changing speeds, switch must break the circuit.

