

AC centrifugal fans

forward curved, dual inlet, with housing, Ø 133

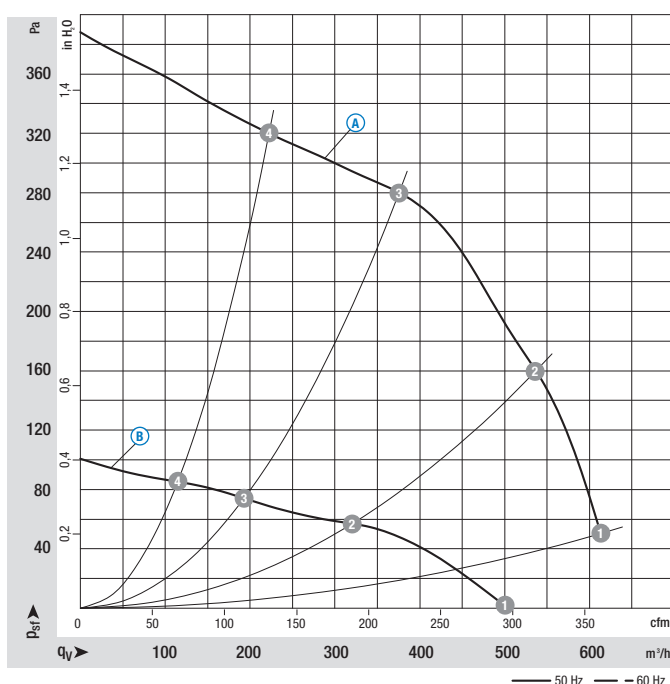


- **Material:** Housing: Plastic PP, black
Impeller: (B) Plastic PA, black (A) Galvanised sheet steel
Rotor: Partially cast in aluminium
- **Direction of rotation:** Counter-clockwise, seen on rotor
- **Type of protection:** IP 44
- **Insulation class:** "F"
- **Mounting position:** Any
- **Condensate discharges:** None
- **Mode of operation:** Continuous operation (S1)
- **Design:** Centrifugal fan with housing, SAL-Motor anti-vibration mounted on both sides
- **Bearings:** Maintenance-free ball bearings

Nominal data		Curve	Nominal voltage range	Frequency	Flow rate	Speed/rpm	Input power	Current draw	Capacitor capacity	Min. back pressure	Perm. amb. temp.	Electr. connection
Type	Motor		VAC	Hz	m³/h	rpm	W	A	µF/VDB	Pa	°C	
D2E 133	M2E 068-DF	(A)	1~ 230	50	610	1600	170	0,74	2,5/450	50	-25..+65	---
			1~ 230	60	500	1770	170	0,75	2,5/450	100	-25..+50	
D4E 133	M4E 068-BF	(B)	1~ 230	50	500	1150	60	0,27	2,0/400	0	-25..+50	---
			1~ 230	60	530	1250	70	0,32	2,0/400	0	-25..+55	

subject to alterations

Curves



Air performance measured as per: ISO 5801, Installation category A, in ebm-papst scroll housing and without protection against accidental contact

Suction-side noise levels: L_{WA} as per ISO 13347, L_{pA} measured at 1 m distance to fan axis

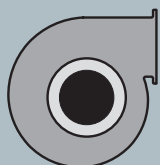
The acoustic values given are only valid under the measurement conditions listed and may vary depending on the installation situation.

With any deviation to the standard setup, the specific values have to be checked and reviewed once installed or fitted!

For detailed information see page 36 ff.

	n rpm	P _e W	I A	L _{WA} dB(A)
(A) 1	1600	170	0,74	67
(A) 2	2090	146	0,64	69
(A) 3	2510	112	0,49	70
(A) 4	2680	91	0,40	71
(B) 1	1150	60	0,27	59
(B) 2	1290	57	0,25	55
(B) 3	1360	55	0,24	57
(B) 4	1395	55	0,24	57

- **Motor protection:** TOP wired internally
- **Cable exit:** variable
- **Protection class:** I
- **Product conforming to standards:** EN 60335-1, CE



Mass

Centrifugal fan with housing & flange

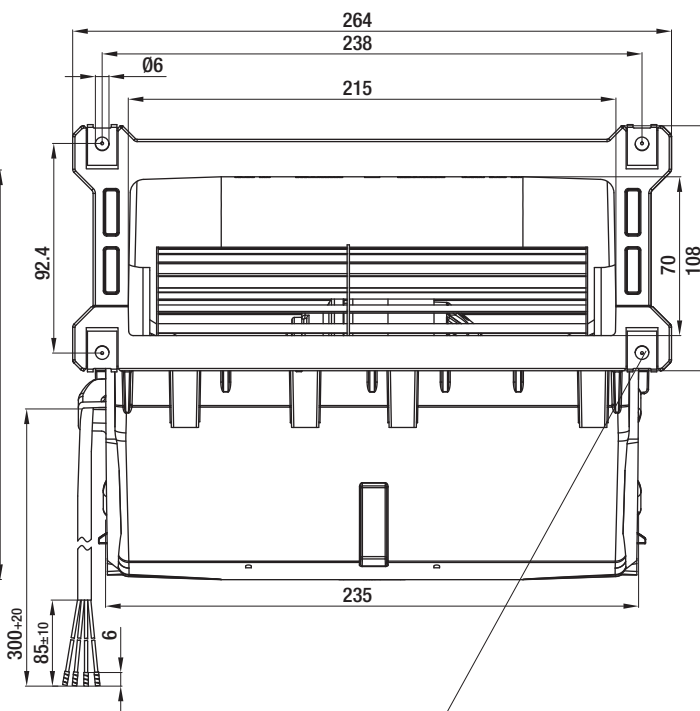
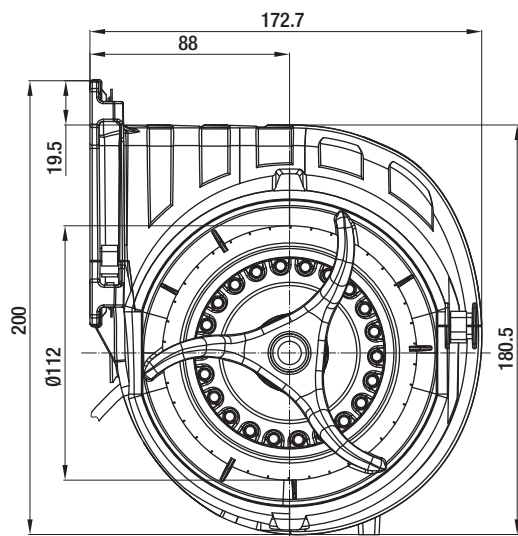
kg

D2E 133-LM34 -01

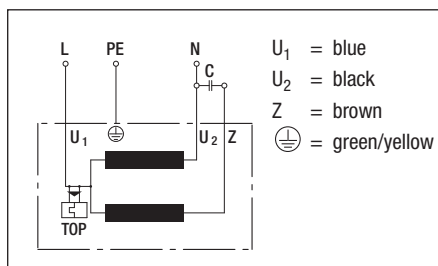
3,3

D4E 133-LH05 -01

3,0



Electr. connection



4 x sheet metal nut for thread EN ISO 1478-ST4,8 (min. screw length 14,5 mm plus thickness of mounting material)