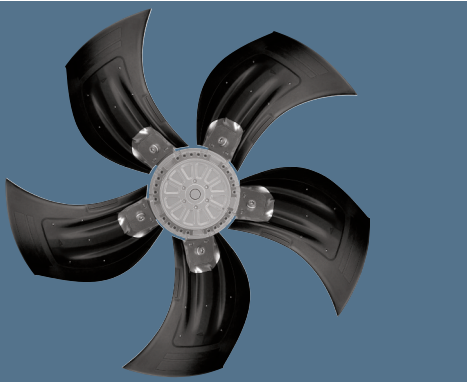


# AC axial fans - HyBlade®

Ø 800



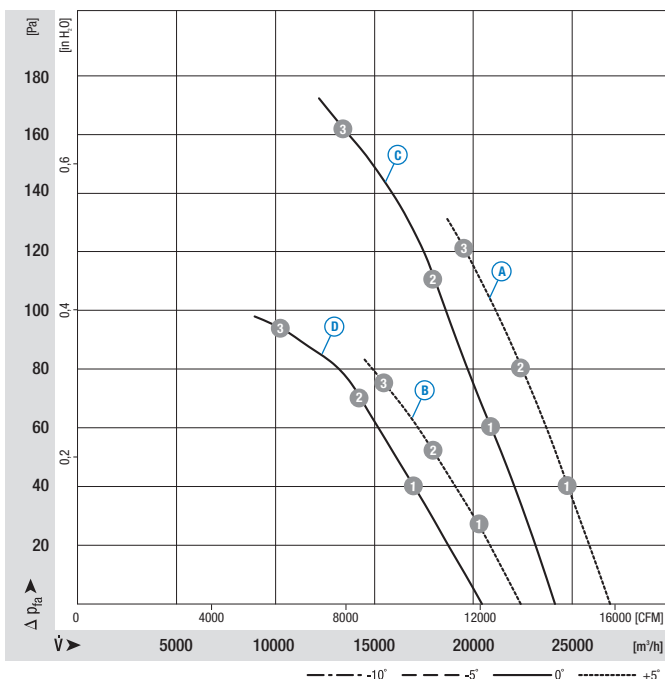
- **Material:** Guard grille: Steel, phosphated and coated in black plastic  
Wall ring: Sheet steel, pre-galvanised and coated in black plastic  
Blades: Insertion part made of sheet aluminium, extrusion-coated in PP plastics  
Rotor: Encased in aluminium
- **Number of blades:** 5
- **Direction of rotation:** clockwise, seen on rotor
- **Type of protection:** IP 54 (acc. to EN 60529)
- **Insulation class:** "F"
- **Mounting position:** Shaft horizontal or rotor on bottom; rotor on top on request
- **Condensate discharge holes:** Rotor-side
- **Mode of operation:** Continuous operation (S1)
- **Bearings:** Maintenance-free ball bearings
- **Motor protection:** Design with thermal overload protector

Nominal data		Blade angle	Curve	Nominal voltage	Frequency	Speed/rpm <sup>(1)</sup>	Max. power input <sup>(1)</sup>	Max. current draw <sup>(1)</sup>	Capacitor	Max. operative range	Perm. amb. temp.	Electr. connection
Type	Motor			VAC	Hz	rpm	kW	A	µF/VDB	Pa	°C	p. 34
*6D 800	M6D 138-NA	+5°	A	3~400 Δ	50	900	2,33	4,85	—	120	-40..+50	F1b)/F2b)
			B	3~400 Y	50	700	1,59	2,87	—	75	-40..+50	
*6D 800	M6D 138-LA	0°	C	3~400 Δ	50	880	1,94	3,90	—	160	-40..+60	F1b)/F2b)
			D	3~400 Y	50	670	1,21	2,23	—	92	-40..+60	
*8D 800	M8D 138-LA	0°	E	3~400 Δ	50	660	0,99	2,37	—	105	-40..+65	F1b)/F2b)
			F	3~400 Y	50	485	0,58	1,21	—	54	-40..+65	
*ZD 800	MZD 138-HF	0°	G	3~400 Δ	50	435	0,36	1,12	—	40	-40..+65	F1b)/F2b)
			H	3~400 Y	50	340	0,20	0,47	—	23	-40..+65	

subject to alterations

(1) Nominal data in operating point 3 with maximum load

## Curves



Air performance measured as per: ISO 5801, Installation category A, in ebm-papst full nozzle and without protection against accidental contact

Suction-side noise levels:  $L_{wA}$  as per ISO 13347,  $L_{pA}$  measured at 1 m distance to fan axis

The acoustic values given are only valid under the measurement conditions listed and may vary depending on the installation situation.

With any deviation to the standard setup, the specific values have to be checked and reviewed once installed or fitted!

For detailed information see page 36 ff.

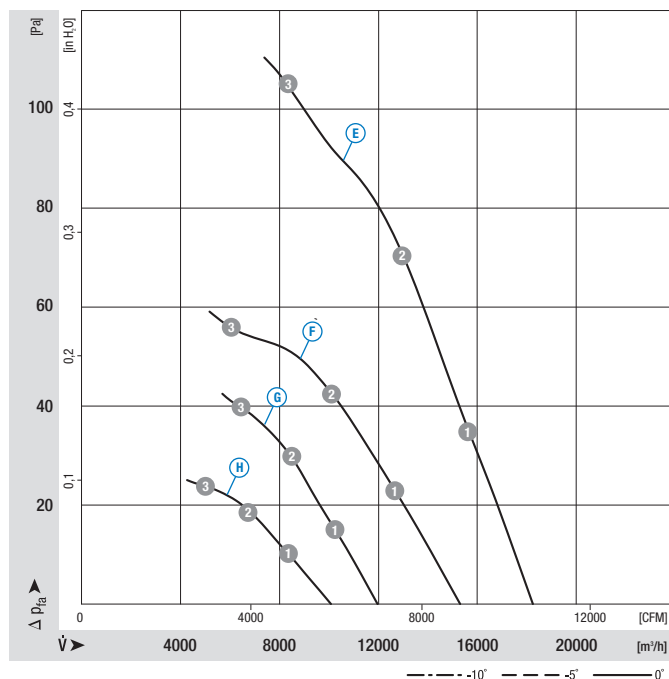
	n [rpm]	P <sub>1</sub> [kW]	I [A]	L <sub>wA</sub> [dB(A)]
A 1	920	1,99	4,59	74
A 2	910	2,10	4,69	74
A 3	900	2,33	4,85	76
B 1	750	1,39	2,58	69
B 2	735	1,44	2,68	69
B 3	700	1,59	2,87	70
C 1	910	1,58	3,44	72
C 2	900	1,72	3,60	73
C 3	880	1,94	3,90	77
D 1	740	1,08	1,98	66
D 2	710	1,13	2,08	67
D 3	670	1,21	2,23	70

- **Cable exit:** Via terminal box
- **Protection class:** I (acc. to EN 61800-5-1)
- **Product conforming to standard:** CE
- **Approvals:** VDE (acc. to EN 60034)

Direction of air flow	Without attachments	With full square nozzle	With guard grille for full nozzle
"V"	A6D 800-AU01 -01	W6D 800-GU01 -01	S6D 800-CU01 -01
"V"	A6D 800-AD01 -01	W6D 800-GD01 -01	S6D 800-CD01 -01
"V"	A8D 800-AD01 -01	W8D 800-GD01 -01	S8D 800-CD01 -01
"V"	AZD 800-AG03 -01	WZD 800-GG03 -01	SZD 800-CG03 -01

Direction of air flow "A" on request

## Curves



Air performance measured as per: ISO 5801, Installation category A, in ebm-papst full nozzle and without protection against accidental contact

Suction-side noise levels:  $L_{wA}$  as per ISO 13347,  $L_{pA}$  measured at 1 m distance to fan axis

The acoustic values given are only valid under the measurement conditions listed and may vary depending on the installation situation.

With any deviation to the standard setup, the specific values have to be checked and reviewed once installed or fitted!

For detailed information see page 36 ff.

	n [rpm]	$P_1$ [kW]	I [A]	$L_{wA}$ [dB(A)]
Ⓔ 1	685	0,77	2,10	65
Ⓔ 2	675	0,85	2,20	66
Ⓔ 3	660	0,99	2,37	74
Ⓕ 1	555	0,51	1,07	60
Ⓕ 2	530	0,53	1,12	60
Ⓕ 3	485	0,58	1,21	66
Ⓖ 1	450	0,32	1,09	55
Ⓖ 2	445	0,34	1,10	55
Ⓖ 3	435	0,36	1,12	59
Ⓗ 1	365	0,18	0,43	51
Ⓗ 2	355	0,19	0,45	49
Ⓗ 3	340	0,20	0,47	52

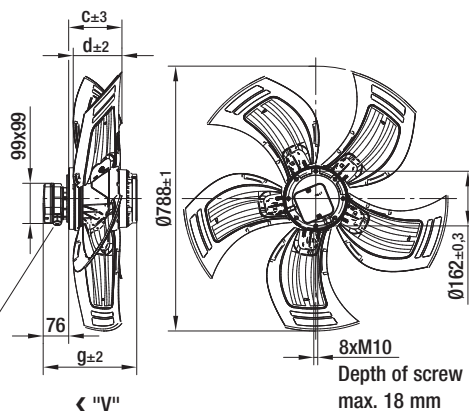
# AC axial fans - HyBlade®

Ø 800 with motor M\*D138, drawings for direction of air flow "V"



## Without attachments

Type	Mass [kg]	c	d	g
A6D 800-AU01 -01	26,5	172,0	171,0	297,0
A6D 800-AD01 -01	23,0	159,0	149,0	277,0
A8D 800-AD01 -01	23,0	159,0	149,0	277,0
AZD 800-AG03 -01	19,0	159,0	149,0	252,0

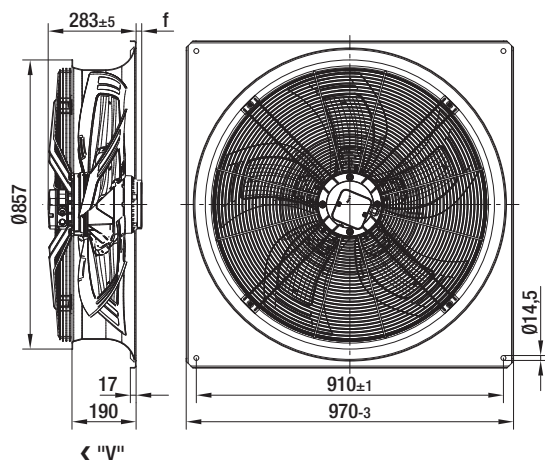


Cable gland

Internal diameter of the wall ring at least 795 mm

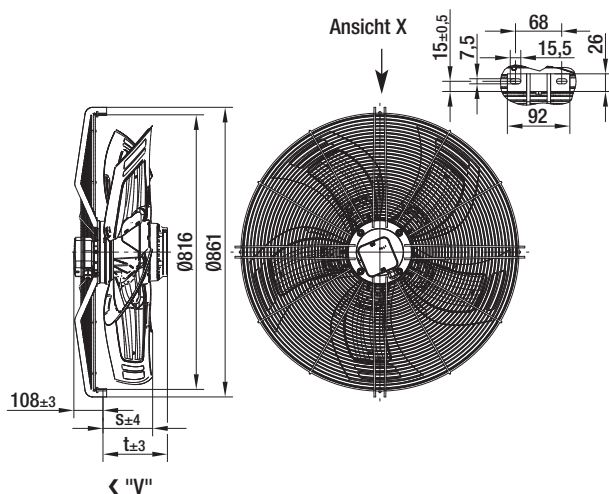
## With full square nozzle

Type	Mass [kg]	f
W6D 800-GU01 -01	46,6	36,0
W6D 800-GD01 -01	44,2	---
W8D 800-GD01 -01	44,2	---
WZD 800-GG03 -01	40,2	---



## With guard grille for full nozzle

Type	Mass [kg]	s	t
S6D 800-CU01 -01	33,3	162,0	211,0
S6D 800-CD01 -01	30,1	127,0	169,0
S8D 800-CD01 -01	30,1	127,0	169,0
SZD 800-CG03 -01	26,2	127,0	144,0



Internal diameter of the wall ring at least 795 mm