

S3G630-AP70-21

EC axial fan - HyBlade®

sickled blades (S series)
with guard grille for short nozzle

ebm-papst Mulfingen GmbH & Co. KG

Bachmühle 2 · D-74673 Mulfingen

Phone +49 7938 81-0

Fax +49 7938 81-110

info1@de.ebmpapst.com

www.ebmpapst.com

Limited partnership · Headquarters Mulfingen
County court Stuttgart · HRA 590344

General partner Elektrobau Mulfingen GmbH · Headquarters Mulfingen
County court Stuttgart · HRB 590142



Nominal data

Type	S3G630-AP70-21	
Motor	M3G112-EA	
Phase		1~
Nominal voltage	VAC	230
Nominal voltage range	VAC	200 .. 277
Frequency	Hz	50/60
Type of data definition		ml
Speed	min ⁻¹	820
Power input	W	400
Current draw	A	1.8
Max. back pressure	Pa	95
Min. ambient temperature	°C	-25
Max. ambient temperature	°C	60

ml = Max. load · me = Max. efficiency · fa = Running at free air · cs = Customer specs · cu = Customer unit
Subject to alterations

Data according to ErP directive

Installation category	A
Efficiency category	Static
Variable speed drive	Yes
Specific ratio*	1.00

* Specific ratio = $1 + p_b / 100\,000\text{ Pa}$

		Actual	Request 2013	Request 2015
Overall efficiency η_{es}	%	43	26.9	30.9
Efficiency grade N		52.1	36	40
Power input P_{ed}	kW	0.36		
Air flow q_v	m ³ /h	6655		
Pressure increase p_{fs}	Pa	77		
Speed n	min ⁻¹	815		

Data definition with optimum efficiency. LU-121486
The ErP data is determined using a motor-impeller combination in a standardised measurement configuration.



S3G630-AP70-21

EC axial fan - HyBlade®

sickled blades (S series)

with guard grille for short nozzle

Technical features

Mass	14.1 kg
Size	630 mm
Surface of rotor	Coated in black
Material of electronics housing	Die-cast aluminium, coated in black
Material of blades	Press-fitted sheet steel blank, sprayed with PP plastic
Material of guard grille	Steel, coated in black plastic (RAL9005)
Number of blades	5
Blade angle	-5°
Direction of air flow	"V"
Direction of rotation	Counter-clockwise, seen on rotor
Type of protection	IP 54
Insulation class	"B"
Humidity class	F4-1
Max. permissible ambient motor temp. (transp./ storage)	+80 °C
Min. permissible ambient motor temp. (transp./storage)	-40 °C
Mounting position	Shaft horizontal or rotor on bottom; rotor on top on request
Condensate discharge holes	Rotor-side
Operation mode	S1
Motor bearing	Ball bearing
Technical features	<ul style="list-style-type: none"> - Output 10 VDC, max. 10 mA - Alarm relay - Motor current limit - PFC, active - Soft start - Control input 0-10 VDC / PWM - Control interface with SELV potential safely disconnected from the mains - Over-temperature protected electronics / motor - Line undervoltage / phase failure detection
EMC interference immunity	Acc. to EN 61000-6-2 (industrial environment)
EMC harmonics	Acc. to EN 61000-3-2/3
EMC interference emission	Acc. to EN 61000-6-4 (industrial environment)
Touch current acc. IEC 60990 (measuring network Fig. 4, TN system)	<= 3.5 mA
Motor protection	Thermal overload protector (TOP) wired internally
Cable exit	Variable
Protection class	I (if protective earth is connected by customer)
Product conforming to standard	EN 61800-5-1; CE
Approval	CCC; EAC

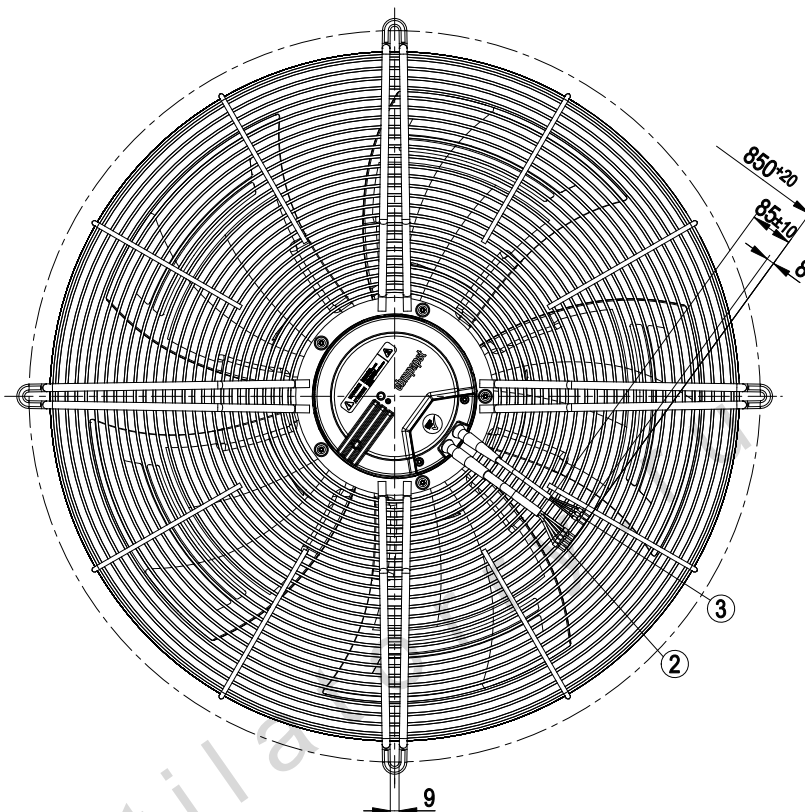
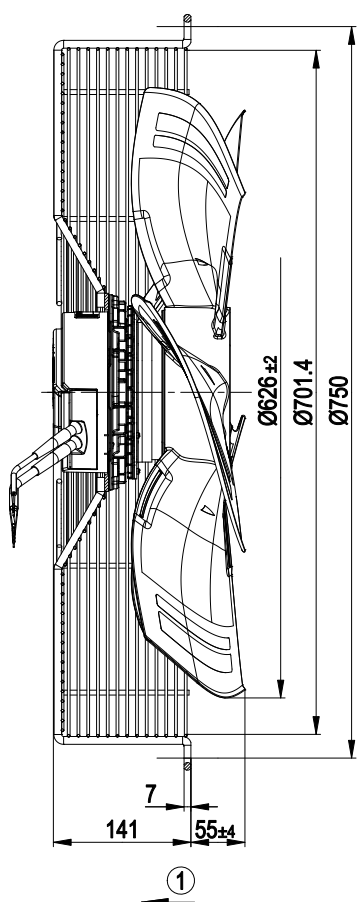
S3G630-AP70-21

EC axial fan - HyBlade®

sickled blades (S series)

with guard grille for short nozzle

Product drawing



- | | |
|---|--|
| 1 | Direction of air flow "V" |
| 2 | Connection line PVC AWG18, 6x crimped core-end sleeves |
| 3 | Connection line PVC AWG22, 3x crimped core-end sleeves |

S3G630-AP70-21

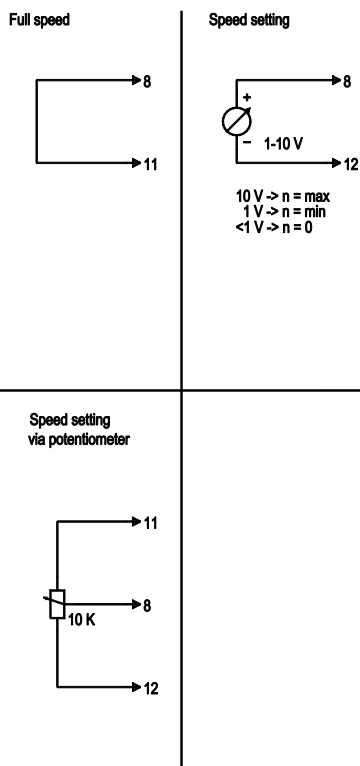
EC axial fan - HyBlade®

sickled blades (S series)

with guard grille for short nozzle

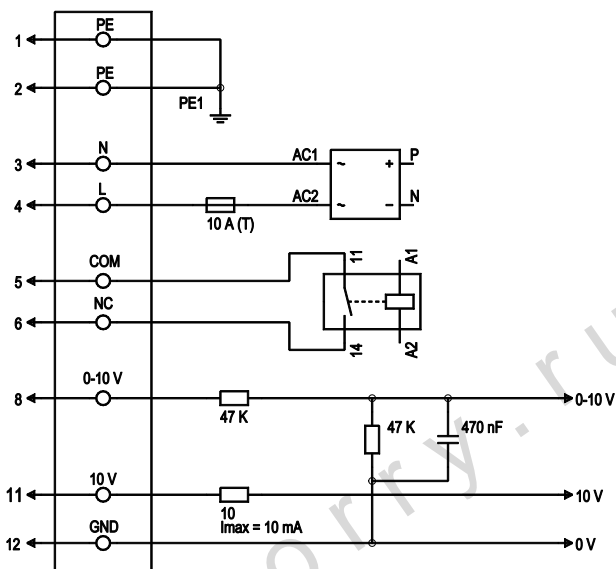
Connection screen

Customer circuit



Connection

Fan / motor



No.	Conn.	Designation	Colour	Function / assignment
1	1,2	PE	green/yellow	Protective earth
1	3	N	blue	Supply voltage, neutral conductor, 50/60 Hz
1	4	L	black	Supply voltage, phase, 50/60 Hz
1	5	COM	white 1	Floating status message contact, break for failure (2 A, max. 250 VAC, min. 10 mA, AC1)
1	6	NC	white 2	Floating status message contact, break for failure
2	8	0-10 V	yellow	Control input, set value 0-10 VDC, impedance 100 kΩ, SELV
2	11	10 VDC	red	Voltage output 10 VDC (+/-3%), max. 10 mA, supply voltage for external devices (e.g. potentiometer), SELV
2	12	GND	blue	Reference mass for control interface, SELV



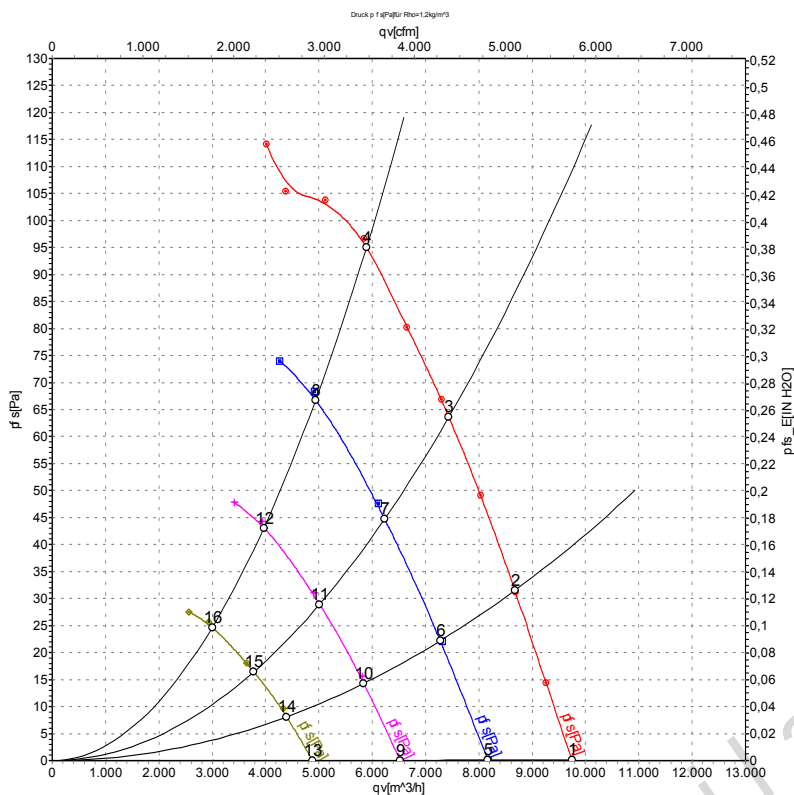
S3G630-AP70-21

EC axial fan - HyBlade®

sickled blades (S series)

with guard grille for short nozzle

Charts: Air flow 50 Hz



Air performance measured as per ISO 5801 Installation category A. For detailed information on the measuring set-up, please contact ebmpapst. Suction-side noise levels: LwA measured as per ISO 13347 / LpA measured with 1m distance to fan axis. The values given are valid under the measuring conditions mentioned above and may vary according to the actual installation situation. With any deviation from the standard set-up, the specific values have to be checked and reviewed with the unit installed.

Measured values

	U	f	n	P _{ed}	I	LpA _{in}	LwA _{in}	LwA _{out}	qv	p _{fs}
	V	Hz	min ⁻¹	W	A	dB(A)	dB(A)	dB(A)	m ³ /h	Pa
1	230	50	820	251	1.11	59	65	65	9745	0
2	230	50	820	298	1.31	56	62	62	8675	32
3	230	50	820	350	1.54	57	63	63	7435	64
4	230	50	820	400	1.80	58	67	65	5890	95
5	230	50	680	146	0.67	55	62	61	8165	0
6	230	50	680	176	0.79	53	59	59	7275	23
7	230	50	680	203	0.91	53	59	58	6235	45
8	230	50	680	230	1.02	53	61	60	4940	68
9	230	50	545	85	0.43	51	56	56	6525	0
10	230	50	545	98	0.48	49	55	55	5840	15
11	230	50	545	112	0.53	48	54	54	5015	29
12	230	50	545	124	0.58	49	56	56	3970	44
13	230	50	410	43	0.28	44	49	50	4880	0
14	230	50	410	49	0.30	43	49	49	4395	8
15	230	50	410	55	0.32	42	48	49	3780	16
16	230	50	410	60	0.34	43	50	51	3000	25

U = Supply voltage · f = Frequency · n = Speed · P_{ed} = Power input · I = Current draw · LpA_{in} = Sound pressure level inlet side · LwA_{in} = Sound power level inlet side · LwA_{out} = Sound power level outlet side
 qv = Air flow · p_{fs} = Pressure increase

