

S3G630-AC52-51

EC axial fan - HyBlade®

sickled blades (S series)
with guard grille for short nozzle



ebm-papst Mulfingen GmbH & Co. KG

Bachmühle 2 · D-74673 Mulfingen

Phone +49 7938 81-0

Fax +49 7938 81-110

info1@de.ebmpapst.com

www.ebmpapst.com

Limited partnership · Headquarters Mulfingen

County court Stuttgart · HRA 590344

General partner: Elektrobau Mulfingen GmbH · Headquarters Mulfingen

County court Stuttgart · HRB 590142



Nominal data

Type	S3G630-AC52-51	
Motor	M3G084-FA	
Phase		1~
Nominal voltage	VAC	230
Nominal voltage range	VAC	200 .. 277
Frequency	Hz	50/60
Type of data definition		ml
Speed	min ⁻¹	690
Power input	W	184
Current draw	A	1.2
Max. back pressure	Pa	55
Min. ambient temperature	°C	-25
Max. ambient temperature	°C	+60

ml = max. load · me = max. efficiency · fa = running at free air · cs = customer specs · cu = customer unit
Subject to alterations

Data according to ErP directive

Installation category	A
Efficiency category	Static
Closed-loop speed control	Integrated
Specific ratio*	1,00

* Specific ratio = $1 + p_{sf} / 100\,000$

	Actual	Request 2013	Request 2015
Overall efficiency η_e	41,5	25	29
Efficiency grade N	52,5	36	40
Power input P_e	kW	0,18	
Air flow q_v	m ³ /h	4985	
Pressure increase Total p_{sf}	Pa	48	
Speed n	min ⁻¹	700	

Data established at point of optimum efficiency



S3G630-AC52-51

EC axial fan - HyBlade®

sickled blades (S series)

with guard grille for short nozzle

Technical features

Mass	10.4 kg
Size	630 mm
Surface of rotor	Coated in black
Material of electronics housing	Die-cast aluminium
Material of blades	Press-fitted sheet steel blank, sprayed with PP-GF40 plastic
Material of guard grille	Steel, phosphated and coated in black plastic
Number of blades	5
Direction of air flow	"V"
Direction of rotation	Counter-clockwise, seen on rotor
Type of protection	IP 54; Depending on installation and position
Insulation class	"B"
Humidity class	F3-1
Max. permissible ambient motor temp. (transp./ storage)	80 °C
Min. permissible ambient motor temp. (transp./storage)	-40 °C
Mounting position	Shaft horizontal or rotor on bottom; rotor on top on request
Condensate discharge holes	Rotor-side
Operation mode	S1
Motor bearing	Ball bearing
Technical features	<ul style="list-style-type: none"> - Output 10 VDC, max. 10 mA - Alarm relay - Motor current limit - Soft start - Control input 0-10 VDC / PWM - Over-temperature protected electronics / motor
EMC interference immunity	Acc. to EN 61000-6-2 (industrial environment)
EMC interference emission	Acc. to EN 61000-6-3 (household environment)
EMC harmonics	Acc. to EN 61000-3-2/3
Leakage current	<= 3.5 mA
Motor protection	Thermal overload protector (TOP) wired internally
Cable exit	Variable
Protection class	I (if protective earth is connected by customer)
Product conforming to standard	EN 60335-1; CE
Approval	UL 2111

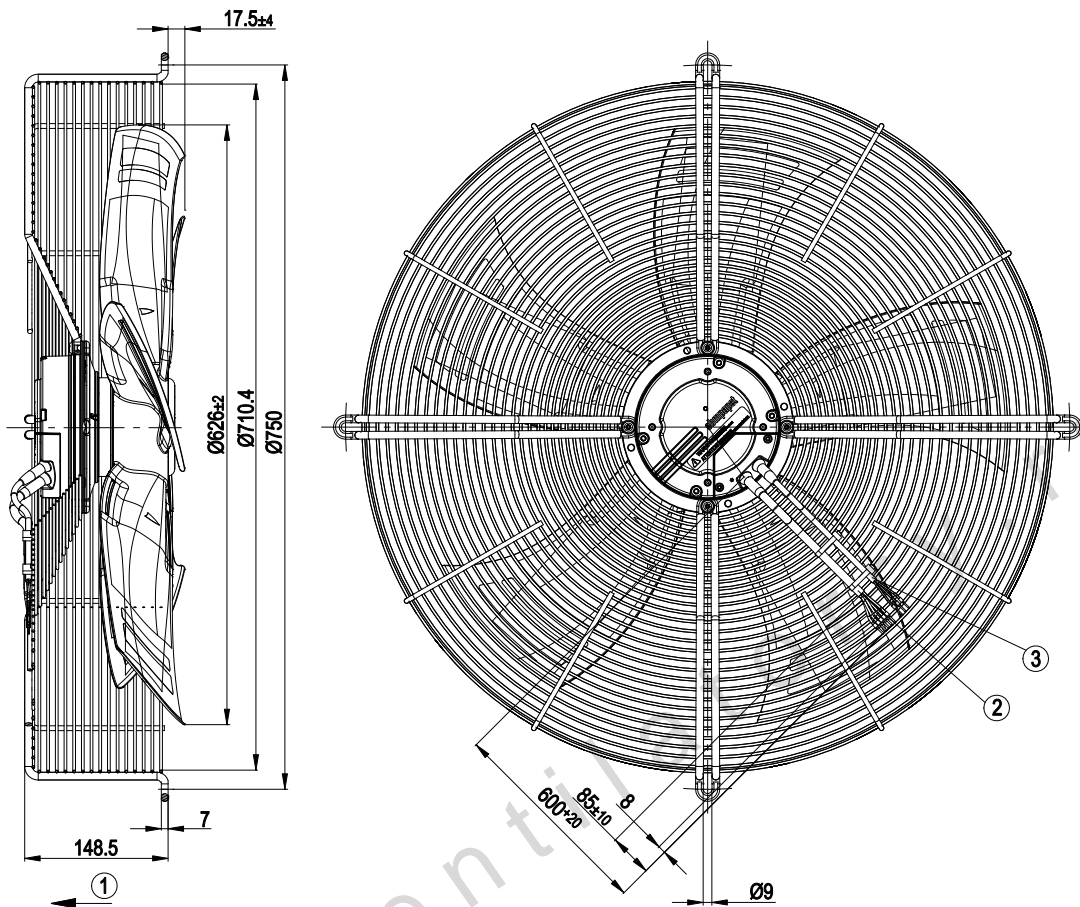
S3G630-AC52-51

EC axial fan - HyBlade®

sickled blades (S series)

with guard grille for short nozzle

Product drawing



1	Direction of air flow "V"
2	Connection line PVC, AWG18, 5 x crimped core-end sleeves
3	Connection line PVC, AWG22, 3 x crimped core-end sleeves

S3G630-AC52-51

EC axial fan - HyBlade®

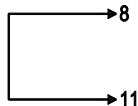
sickled blades (S series)

with guard grille for short nozzle

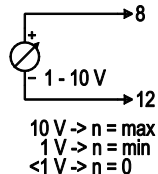
Connection screen

Customer circuit

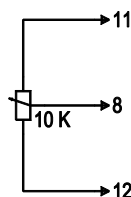
max. speed



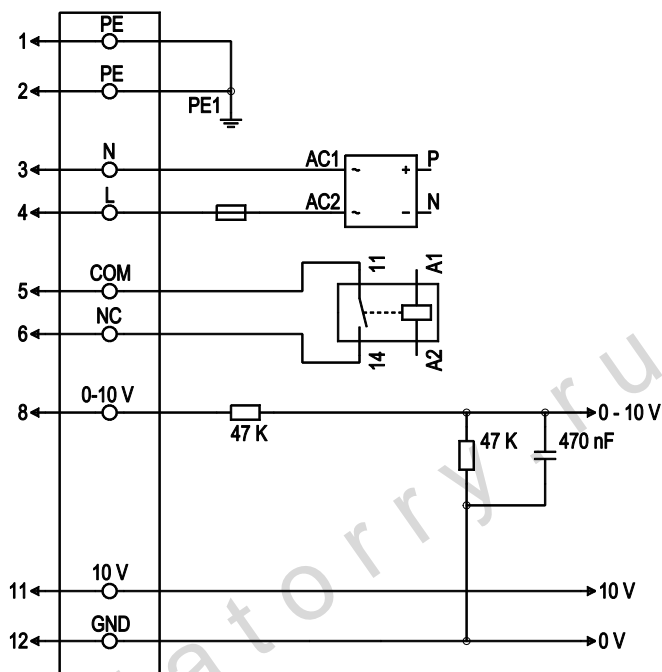
adjustable speed



adjustable speed with changeable resistance



Connection



Fan / motor

Line	No.	Signal	Colour	Function / assignment
1	1,2	PE	green/yellow	Protective earth
1	3	N	blue	Supply voltage, neutral conductor, 50/60 Hz
1	4	L	black	Supply voltage, phase, 50/60 Hz
1	5	COM	white 1	Floating status message contact, break for failure (2 A, max. 250 VAC, min. 10 mA, AC1)
1	6	NC	white 2	Floating status message contact, break for failure
2	8	0 - 10 V	yellow	Control input, set value 0 - 10 VDC, impedance 100 kOhm, SELV
2	11	10 VDC	red	Voltage output 10 VDC (+/-3%), max. 10 mA, supply voltage for ext. devices (e.g. potentiometer), SELV
2	12	GND	blue	Reference mass for control interface, SELV



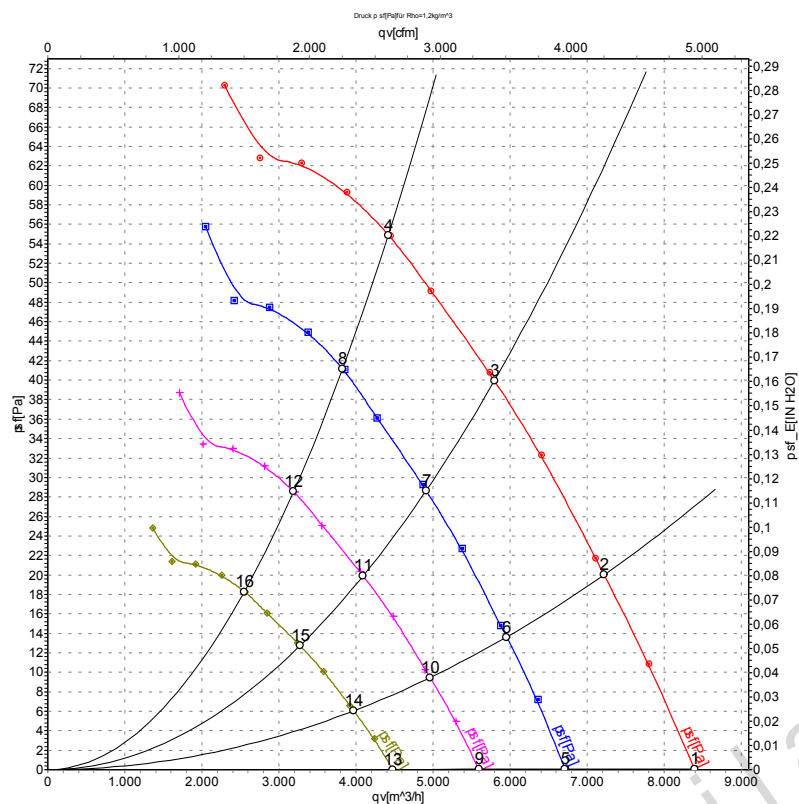
S3G630-AC52-51

EC axial fan - HyBlade®

sickled blades (S series)

with guard grille for short nozzle

Charts: Air flow 50 Hz



Measurement: LU-116824

Air performance measured as per ISO 5801 Installation category A. For detailed information on the measuring set-up, please contact ebmpapst. Suction-side noise levels: LwA measured as per ISO 13347 / LpA measured with 1m distance to fan axis. The values given are valid under the measuring conditions mentioned above and may vary according to the actual installation situation. With any deviation from the standard set-up, the specific values have to be checked and reviewed with the unit installed.

Measured values

	U	f	n	P _e	I	LpA _{in}	LwA _{in}	LwA _{out}	qV	p _{sf}
	V	Hz	min ⁻¹	W	A	dB(A)	dB(A)	dB(A)	m ³ /h	Pa
1	230	50	750	141	0.90	55	61	60	8395	0
2	230	50	730	158	1.01	55	60	60	7220	20
3	230	50	710	174	1.10	55	61	60	5800	40
4	230	50	690	184	1.20	56	63	63	4420	55
5	230	50	600	72	0.46	50	56	55	6715	0
6	230	50	600	89	0.56	51	56	55	5955	14
7	230	50	600	106	0.67	51	57	56	4910	29
8	230	50	600	119	0.75	53	60	60	3830	41
9	230	50	500	42	0.27	46	52	52	5595	0
10	230	50	500	51	0.33	47	52	51	4965	10
11	230	50	500	61	0.39	47	53	52	4095	20
12	230	50	500	69	0.43	49	56	56	3190	29
13	230	50	400	21	0.14	41	47	47	4475	0
14	230	50	400	26	0.17	42	47	47	3970	6
15	230	50	400	31	0.20	42	48	47	3275	13
16	230	50	400	35	0.22	44	51	51	2550	18

