

S3G350-AN01-30

EC axial fan - HyBlade®

sickled blades (S series)

with guard grille for short nozzle

ebm-papst Mulfingen GmbH & Co. KG

Bachmühle 2 · D-74673 Mulfingen

Phone +49 7938 81-0

Fax +49 7938 81-110

info1@de.ebmpapst.com

www.ebmpapst.com

Limited partnership · Headquarters Mulfingen

County court Stuttgart · HRA 590344

General partner Elektrobau Mulfingen GmbH · Headquarters Mulfingen

County court Stuttgart · HRB 590142



Nominal data

Type	S3G350-AN01-30	
Motor	M3G074-CF	
Phase		1~
Nominal voltage	VAC	230
Nominal voltage range	VAC	200 .. 240
Frequency	Hz	50/60
Type of data definition		ml
State		prelim.
Speed	min ⁻¹	1475
Power input	W	165
Current draw	A	1.35
Max. back pressure	Pa	100
Min. ambient temperature	°C	-25
Max. ambient temperature	°C	+60

ml = Max. load · me = Max. efficiency · fa = Running at free air · cs = Customer specs · cu = Customer unit
Subject to alterations

Data according to ErP directive

		Actual	Request 2013	Request 2015
Installation category	A			
Efficiency category	Static			
Variable speed drive	Yes			
Specific ratio*	1.00			
Overall efficiency η_{es}		39.8	24.6	28.6
Efficiency grade N		51.2	36	40
Power input P_{ed}	kW	0.16		
Air flow q_v	m ³ /h	2400		
Pressure increase p_{fs}	Pa	87		
Speed n	min ⁻¹	1495		

Data definition with optimum efficiency.

* Specific ratio = $1 + p_b / 100\,000\text{ Pa}$



S3G350-AN01-30

EC axial fan - HyBlade®

sickled blades (S series)

with guard grille for short nozzle

Technical features

Mass	3.62 kg
Size	350 mm
Material of blades	PP plastic
Material of guard grille	Steel, phosphated and coated in black plastic
Number of blades	5
Direction of air flow	"V"
Direction of rotation	Counter-clockwise, seen on rotor
Type of protection	IP 54
Insulation class	"B"
Humidity class	F3-1
Max. permissible ambient motor temp. (transp./ storage)	+ 80 °C
Min. permissible ambient motor temp. (transp./storage)	- 40 °C
Mounting position	Any
Condensate discharge holes	None, open rotor
Cooling bore / aperture	Rotor-side
Operation mode	S1
Motor bearing	Ball bearing
Technical features	- Motor current limit - Soft start - Over-temperature protected electronics / motor
Speed steps	2
Motor protection	PTC resistor
Cable exit	Variable
Protection class	I (if protective earth is connected by customer)



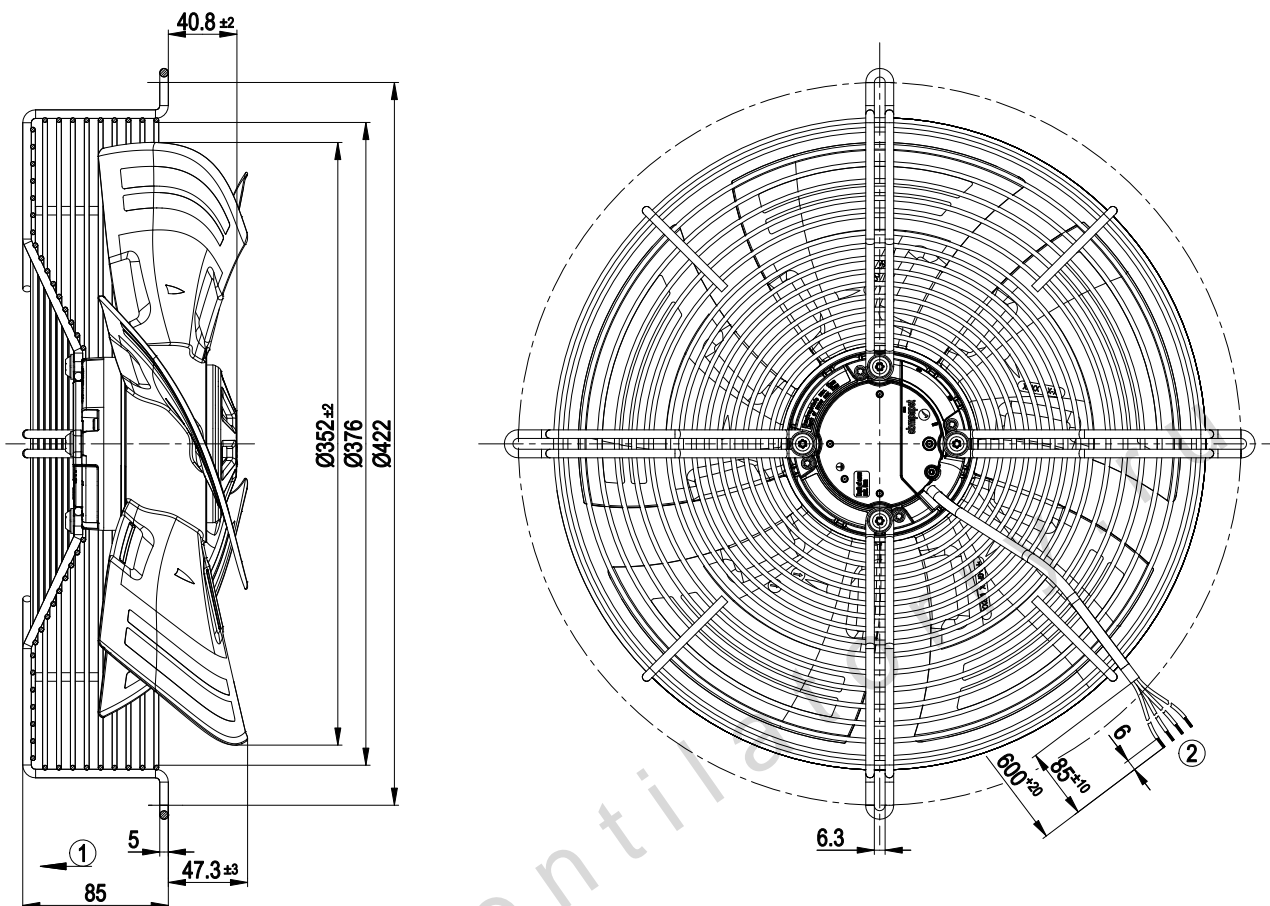
S3G350-AN01-30

EC axial fan - HyBlade®

sickled blades (S series)

with guard grille for short nozzle

Product drawing



- | | |
|---|--|
| 1 | Direction of air flow "V" |
| 2 | Connection line PVC 4G AWG20, 4x brass lead tips crimped |

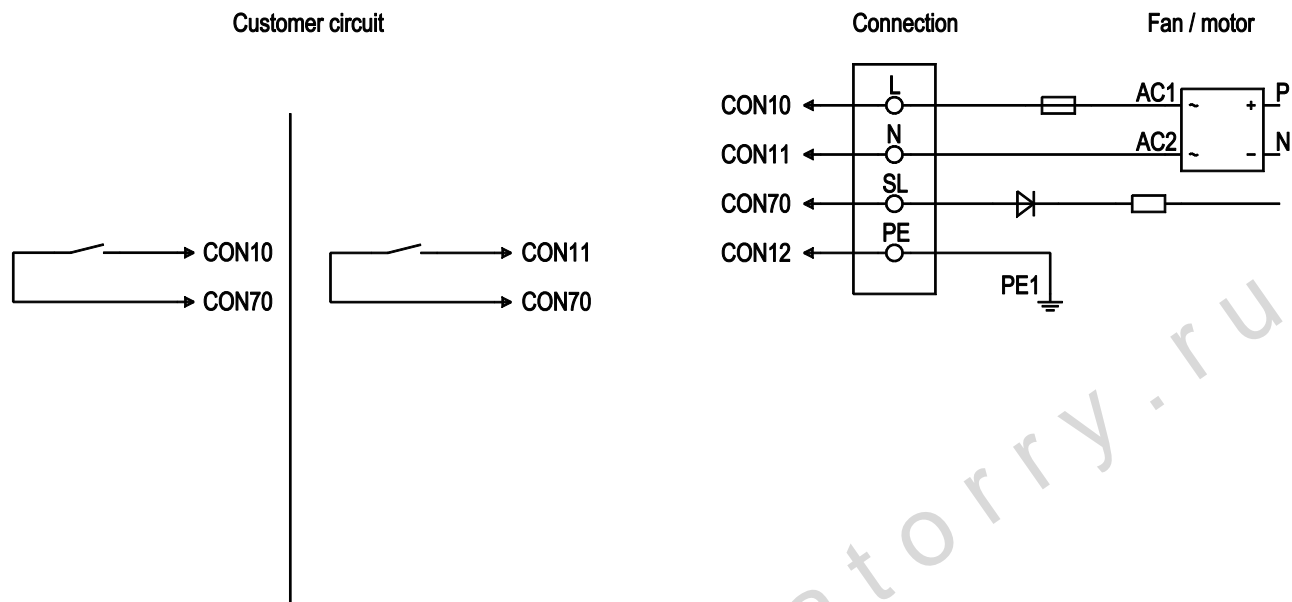
S3G350-AN01-30

EC axial fan - HyBlade®

sickled blades (S series)

with guard grille for short nozzle

Connection screen



Line	No.	Signal	Colour	Function / assignment
	CON 10	L	black	Power supply 230 VAC, 50 - 60 Hz, see type plate for voltage range
	CON 11	N	blue	Neutral conductor
	CON 12	PE	green/yellow	Protective earth
	CON 70	SL	brown	Speed selection: switch open = speed 1; switch closed = speed 2

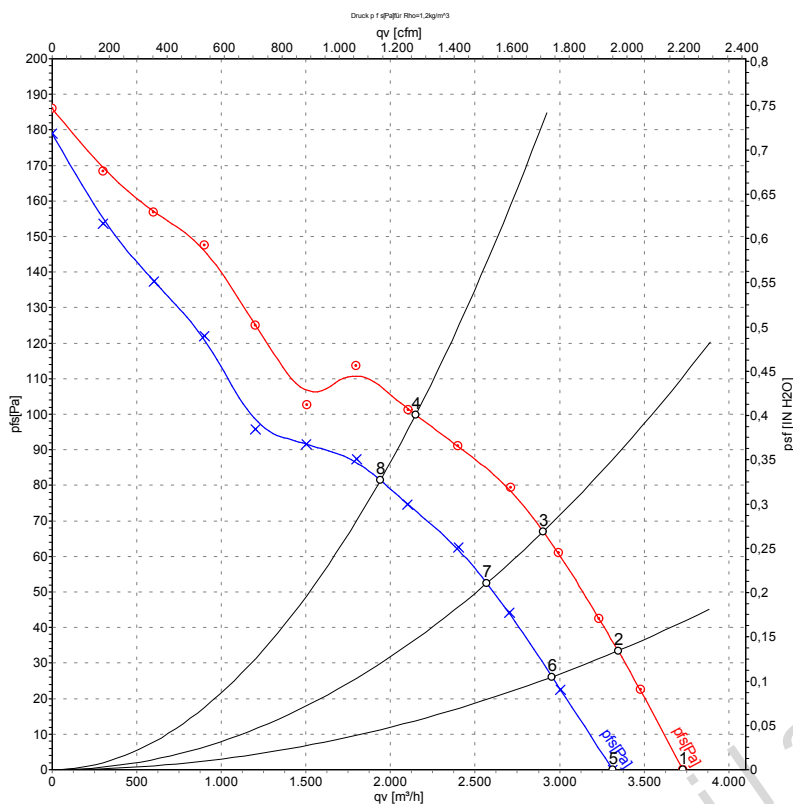
S3G350-AN01-30

EC axial fan - HyBlade®

sickled blades (S series)

with guard grille for short nozzle

Charts: Air flow 50 Hz



Measurement: LU-134592
Measurement: LU-134596

Air performance measured as per ISO 5801 Installation category A. For detailed information on the measuring set-up, please contact ebm-papst. Suction-side noise levels: LwA measured as per ISO 13347 / LpA measured with 1m distance to fan axis. The values given are valid under the measuring conditions mentioned above and may vary according to the actual installation situation. With any deviation from the standard set-up, the specific values have to be checked and reviewed with the unit installed.

Measured values

	U	f	n	P _{ed}	I	LpA _{in}	LwA _{in}	qv	p _{fs}
	V	Hz	min ⁻¹	W	A	dB(A)	dB(A)	m ³ /h	Pa
1	230	50	1575	141	1.15	64	71	3730	0
2	230	50	1555	152	1.23	62	69	3345	33
3	230	50	1530	161	1.31	59	66	2900	67
4	230	50	1475	165	1.35	59	67	2150	100
5	230	50	1395	98	0.82			3315	0
6	230	50	1375	106	0.88			2955	26
7	230	50	1355	114	0.96			2570	52
8	230	50	1340	122	1.03			1940	82

U = Supply voltage · f = Frequency · n = Speed · P_{ed} = Power input · I = Current draw · LpA_{in} = Sound pressure level inlet side · LwA_{in} = Sound power level inlet side · qv = Air flow
p_{fs} = Pressure increase

