

S1G300-CA19-02

EC axial fan - ESM

sickled blades (S series)

ESM guard grille



ebm-papst Mulfingen GmbH & Co. KG

Bachmühle 2 · D-74673 Mulfingen

Phone +49 7938 81-0

Fax +49 7938 81-110

info1@de.ebmpapst.com

www.ebmpapst.com

Limited partnership · Headquarters Mulfingen

County court Stuttgart · HRA 590344

General partner: Elektrobau Mulfingen GmbH · Headquarters Mulfingen

County court Stuttgart · HRB 590142

Nominal data

Type	S1G300-CA19-02		
Motor	M1G055-BI		
Phase		1~	1~
Nominal voltage	VAC	230	230
Frequency	Hz	50/60	50/60
Type of data definition		-	ml
Speed	min ⁻¹	900	1250
Power input	W	-	35
Current draw	A		0.27
Max. back pressure	Pa		35
Min. ambient temperature	°C	-30	-30
Max. ambient temperature	°C	50	50

ml = max. load · me = max. efficiency · fa = running at free air · cs = customer specs · cu = customer unit
Subject to alterations

www.ventilatorry.ru



S1G300-CA19-02

EC axial fan - ESM

sickled blades (S series)

ESM guard grille

Technical features

Mass	1.4 kg
Size	300 mm
Material of impeller	PA plastic 6, fibreglass-reinforced
Material of guard grille	Plastic, PPTD 40
Number of blades	5
Direction of air flow	"A"
Direction of rotation	Counter-clockwise, seen on rotor
Type of protection	IP 54
Insulation class	"B"
Humidity class	F3-1
Max. permissible ambient motor temp. (transp./ storage)	+ 80 °C
Min. permissible ambient motor temp. (transp./storage)	- 40 °C
Mounting position	Any
Condensate discharge holes	None
Operation mode	S1
Motor bearing	Ball bearing
Technical features	<ul style="list-style-type: none"> - Over-temperature protected motor - Soft start - Speed selection max/min
Speed steps	2
EMC interference immunity	Acc. to EN 61000-6-2 (industrial environment)
EMC interference emission	Acc. to EN 61000-6-3 (household environment)
EMC harmonics	Acc. to EN 61000-3-2/3
Motor protection	Thermal overload protector (TOP) wired internally
Cable exit	Lateral
Protection class	II
Product conforming to standard	EN 60335-1; CE
Approval	UL 507; CSA C22.2 Nr.113

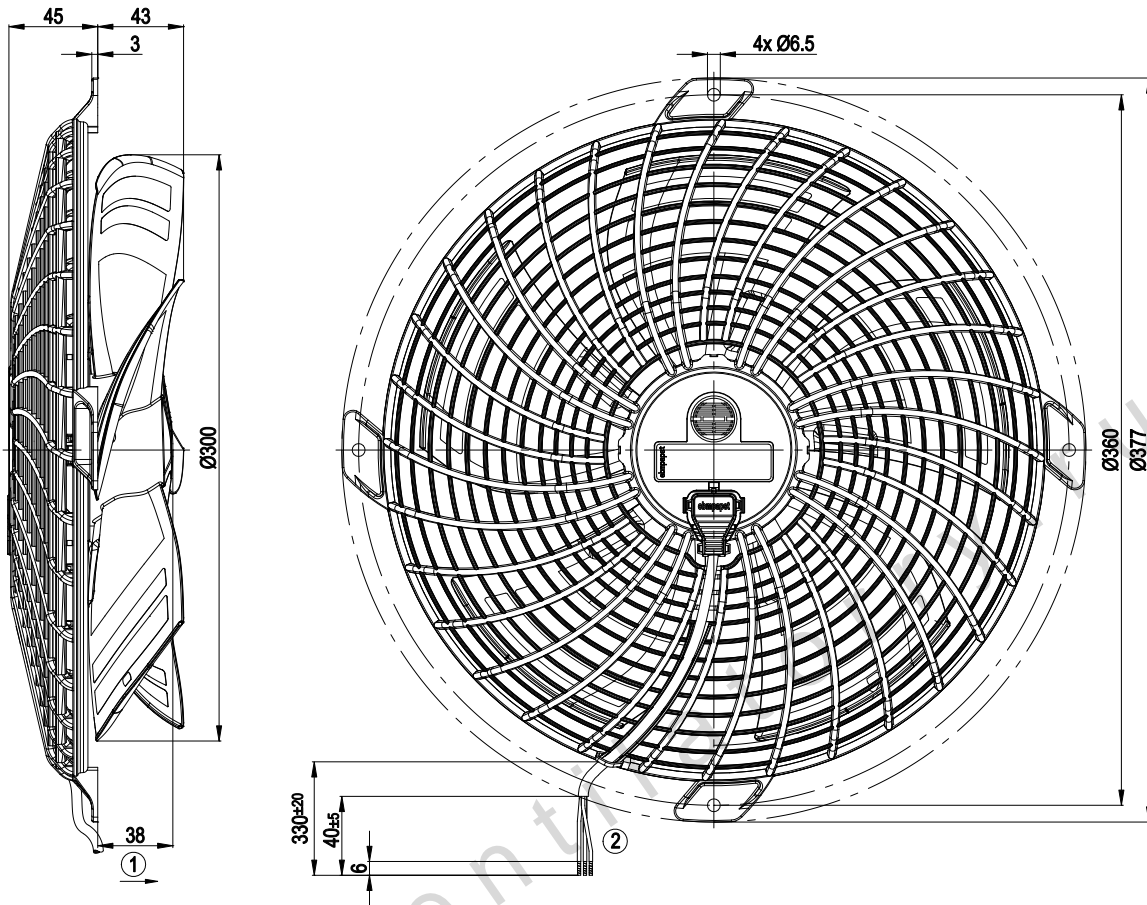
S1G300-CA19-02

EC axial fan - ESM

sickled blades (S series)

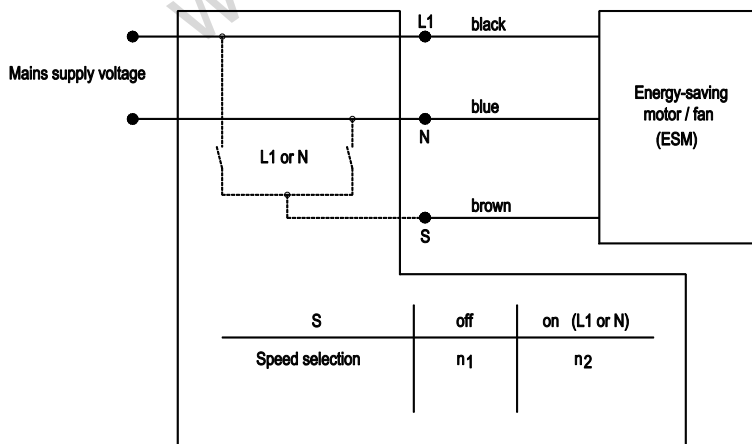
ESM guard grille

Product drawing



- 1 Direction of air flow "A"
- 2 Connection line AWG20; 3 x brass lead tips crimped

Connection screen



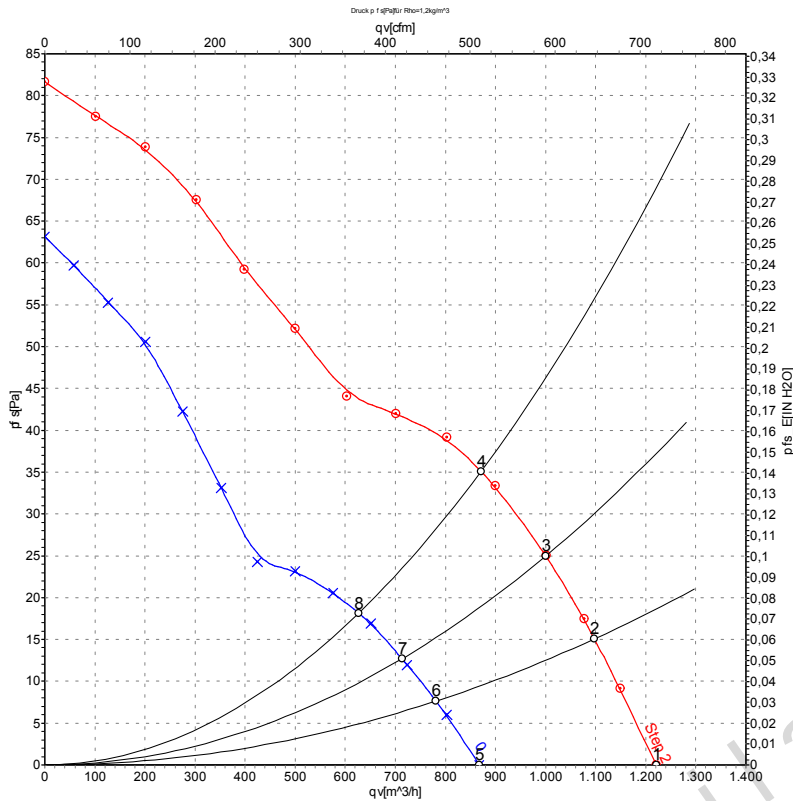
S1G300-CA19-02

EC axial fan - ESM

sickled blades (S series)

ESM guard grille

Charts: Air flow 50 Hz



Measurement: LU-121373
Measurement: LU-121378

Air performance measured as per ISO 5801 Installation category A. For detailed information on the measuring set-up, please contact ebm-papst. Suction-side noise levels: LwA measured as per ISO 13347 / LpA measured with 1m distance to fan axis. The values given are valid under the measuring conditions mentioned above and may vary according to the actual installation situation. With any deviation from the standard set-up, the specific values have to be checked and reviewed with the unit installed.

Measured values

	Stage	U	f	n	P _{ed}	I	qv	P _{fs}
		V	Hz	min ⁻¹	W	A	m ³ /h	Pa
1	2	230	50	1250	27	0.21	1220	0
2	2	230	50	1250	30	0.23	1095	15
3	2	230	50	1250	32	0.24	1000	25
4	2	230	50	1250	35	0.27	870	35
5	1	230	50	900	13	0.12	865	0
6	1	230	50	900	14	0.13	780	8
7	1	230	50	900	16	0.15	715	13
8	1	230	50	900	17	0.16	625	18

