

S1G200-CA95-02

# EC axial fan - ESM

sickled blades (S series)

ESM guard grille



## ebm-papst Mulfingen GmbH & Co. KG

Bachmühle 2 · D-74673 Mulfingen

Phone +49 7938 81-0

Fax +49 7938 81-110

info1@de.ebmpapst.com

www.ebmpapst.com

Limited partnership · Headquarters Mulfingen

County court Stuttgart · HRA 590344

General partner Elektrobau Mulfingen GmbH · Headquarters Mulfingen

County court Stuttgart · HRB 590142

### Nominal data

Type	S1G200-CA95-02		
Motor	M1G055-BD		
Phase		1~	1~
Nominal voltage	VAC	115	115
Frequency	Hz	50/60	50/60
Type of data definition			ml
Speed	min <sup>-1</sup>	1500	2000
Power input	W	-	31
Current draw	A		0.43
Max. back pressure	Pa		45
Min. ambient temperature	°C	-30	-30
Max. ambient temperature	°C	50	50

ml = Max. load · me = Max. efficiency · fa = Running at free air · cs = Customer specs · cu = Customer unit  
Subject to alterations



S1G200-CA95-02

# EC axial fan - ESM

sickled blades (S series)

ESM guard grille

## Technical features

<b>Mass</b>	0.95 kg
<b>Size</b>	200 mm
<b>Material of impeller</b>	PA plastic
<b>Material of guard grille</b>	Plastic, epylen GT50
<b>Number of blades</b>	5
<b>Direction of air flow</b>	"A"
<b>Direction of rotation</b>	Counter-clockwise, seen on rotor
<b>Type of protection</b>	IP 54
<b>Insulation class</b>	"B"
<b>Humidity class</b>	F3-1
<b>Max. permissible ambient motor temp. (transp./ storage)</b>	+80 °C
<b>Min. permissible ambient motor temp. (transp./storage)</b>	-40 °C
<b>Mounting position</b>	Any
<b>Condensate discharge holes</b>	None
<b>Operation mode</b>	S1
<b>Motor bearing</b>	Ball bearing
<b>Technical features</b>	<ul style="list-style-type: none"> <li>- Over-temperature protected motor</li> <li>- Soft start</li> <li>- Speed selection max/min</li> </ul>
<b>EMC interference immunity</b>	Acc. to EN 61000-6-2 (industrial environment)
<b>EMC harmonics</b>	Acc. to EN 61000-3-2/3
<b>EMC interference emission</b>	Acc. to EN 61000-6-3 (household environment)
<b>Motor protection</b>	Thermal overload protector (TOP) wired internally
<b>Cable exit</b>	Lateral
<b>Protection class</b>	II
<b>Product conforming to standard</b>	EN 60335-1; CE
<b>Approval</b>	CCC; CSA C22.2 Nr.77; EAC; UL 2111; VDE



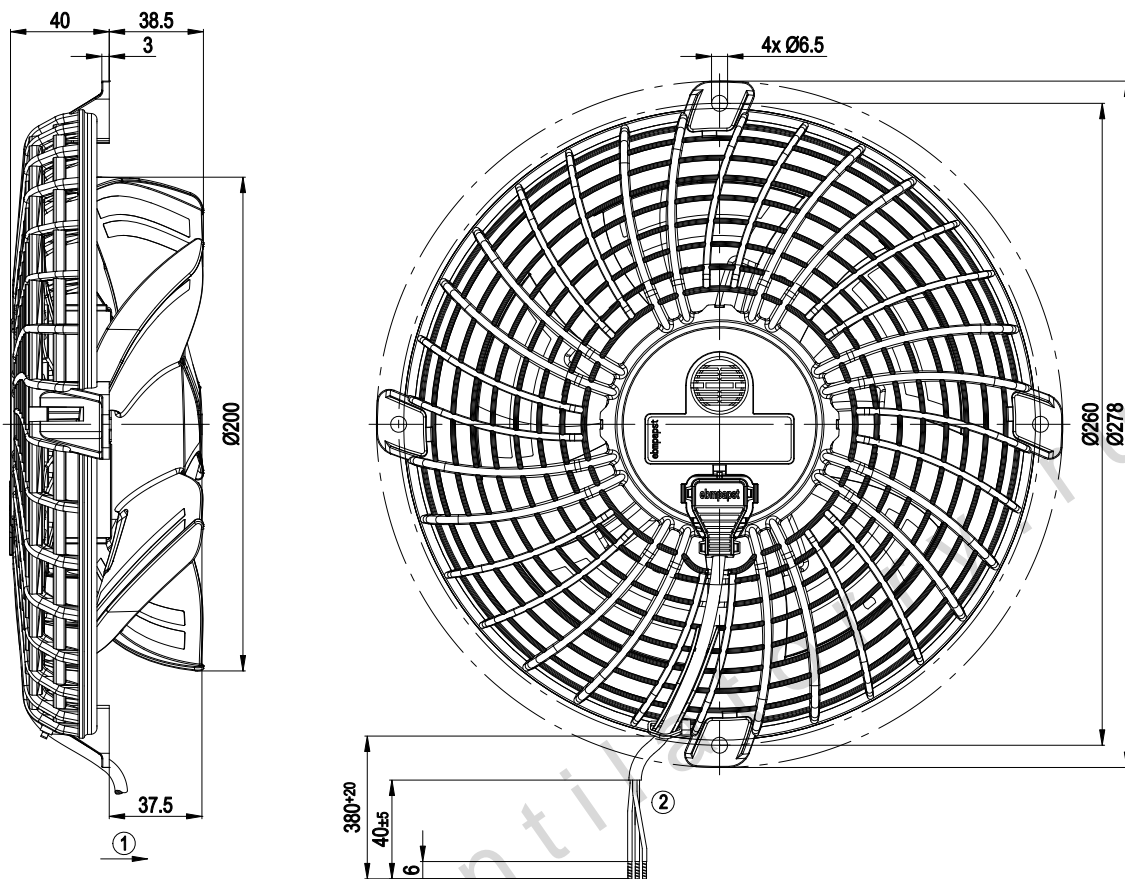
S1G200-CA95-02

# EC axial fan - ESM

sickled blades (S series)

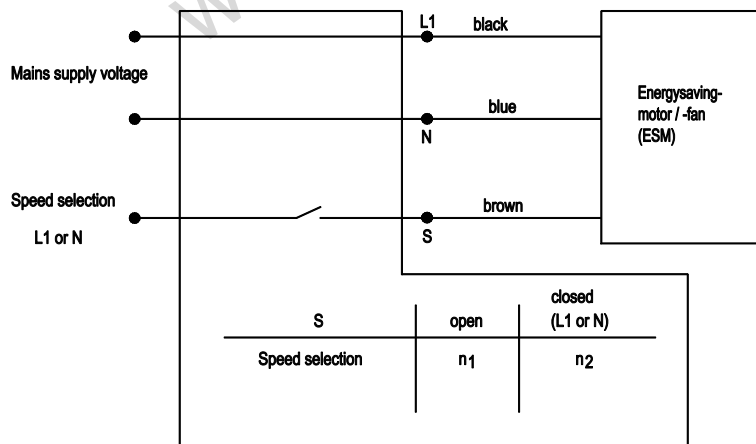
ESM guard grille

## Product drawing



- 1 Direction of air flow "A"
- 2 Connection line AWG20; 3 x brass lead tips crimped

## Connection screen



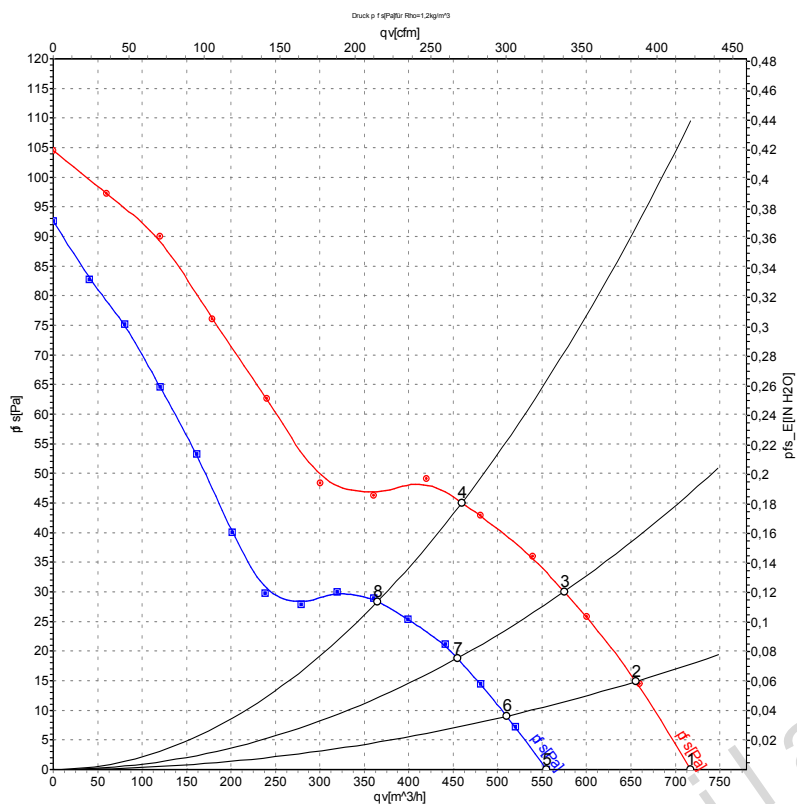
S1G200-CA95-02

# EC axial fan - ESM

sickled blades (S series)

ESM guard grille

## Charts: Air flow 50 Hz



Air performance measured as per ISO 5801 Installation category A. For detailed information on the measuring set-up, please contact ebmpapst. Suction-side noise levels: L<sub>wA</sub> measured as per ISO 13347 / L<sub>pA</sub> measured with 1m distance to fan axis. The values given are valid under the measuring conditions mentioned above and may vary according to the actual installation situation. With any deviation from the standard set-up, the specific values have to be checked and reviewed with the unit installed.

## Measured values

	U	f	n	P <sub>ed</sub>	I	qv	P <sub>fs</sub>
	V	Hz	min <sup>-1</sup>	W	A	m³/h	Pa
1	115	50	2000	30	0.43	715	0
2	115	50	2000	30	0.43	655	15
3	115	50	2000	30	0.43	575	30
4	115	50	2000	31	0.43	460	45
5	115	50	1500	17	0.28	555	0
6	115	50	1500	18	0.28	510	9
7	115	50	1500	19	0.28	455	19
8	115	50	1500	20	0.28	365	28

U = Supply voltage · f = Frequency · n = Speed · P<sub>ed</sub> = Power input · I = Current draw · qv = Air flow · P<sub>fs</sub> = Pressure increase

