

R4E355-AG01-05

AC centrifugal fan

backward curved, single inlet

ebm-papst Mulfingen GmbH & Co. KG

Bachmühle 2 · D-74673 Mulfingen

Phone +49 7938 81-0

Fax +49 7938 81-110

info1@de.ebmpapst.com

www.ebmpapst.com

Limited partnership · Headquarters Mulfingen

County court Stuttgart · HRA 590344

General partner Elektrobau Mulfingen GmbH · Headquarters Mulfingen

County court Stuttgart · HRB 590142



Nominal data

Type	R4E355-AG01-05		
Motor	M4E074-GA		
Phase		1~	1~
Nominal voltage	VAC	230	230
Frequency	Hz	50	60
Type of data definition		fa	fa
Valid for approval / standard		CE	CE
Speed	min ⁻¹	1400	1630
Power input	W	215	300
Current draw	A	1	1.32
Motor capacitor	µF	7	7
Capacitor voltage	VDB	400	400
Min. back pressure	Pa	0	0
Min. ambient temperature	°C	-25	-25
Max. ambient temperature	°C	40	30

ml = Max. load · me = Max. efficiency · fa = Running at free air · cs = Customer specs · cu = Customer unit
Subject to alterations

Data according to ErP directive

Installation category	A
Efficiency category	Static
Variable speed drive	No
Specific ratio*	1.00

* Specific ratio = $1 + p_s / 100\,000\text{ Pa}$

	Actual	Request 2013	Request 2015
Overall efficiency η_{es}	41.4	41.4	45.4
Efficiency grade N	58	58	62
Power input P_e	kW	0.26	
Air flow q_v	m ³ /h	1670	
Pressure increase p_{fs}	Pa	226	
Speed n	min ⁻¹	1365	

Data definition with optimum efficiency.



R4E355-AG01-05

AC centrifugal fan

backward curved, single inlet

Technical features

Mass	5.4 kg
Size	355 mm
Surface of rotor	Coated in black
Material of impeller	PP plastic
Number of blades	6
Direction of rotation	Clockwise, seen on rotor
Type of protection	IP 44; Depending on installation and position as per EN 60034-5
Insulation class	"F"
Humidity class	F1-2
Max. permissible ambient motor temp. (transp./ storage)	+ 80 °C
Min. permissible ambient motor temp. (transp./storage)	- 40 °C
Mounting position	Shaft horizontal or rotor on bottom; rotor on top on request
Condensate discharge holes	Rotor-side
Operation mode	S1
Motor bearing	Ball bearing
Touch current acc. IEC 60990 (measuring network Fig. 4, TN system)	< 0.75 mA
Motor protection	Thermal overload protector (TOP) wired internally
Cable exit	Variable
Protection class	I (if protective earth is connected by customer)
Product conforming to standard	EN 60335-1; CE

www.ventilatorry.ru

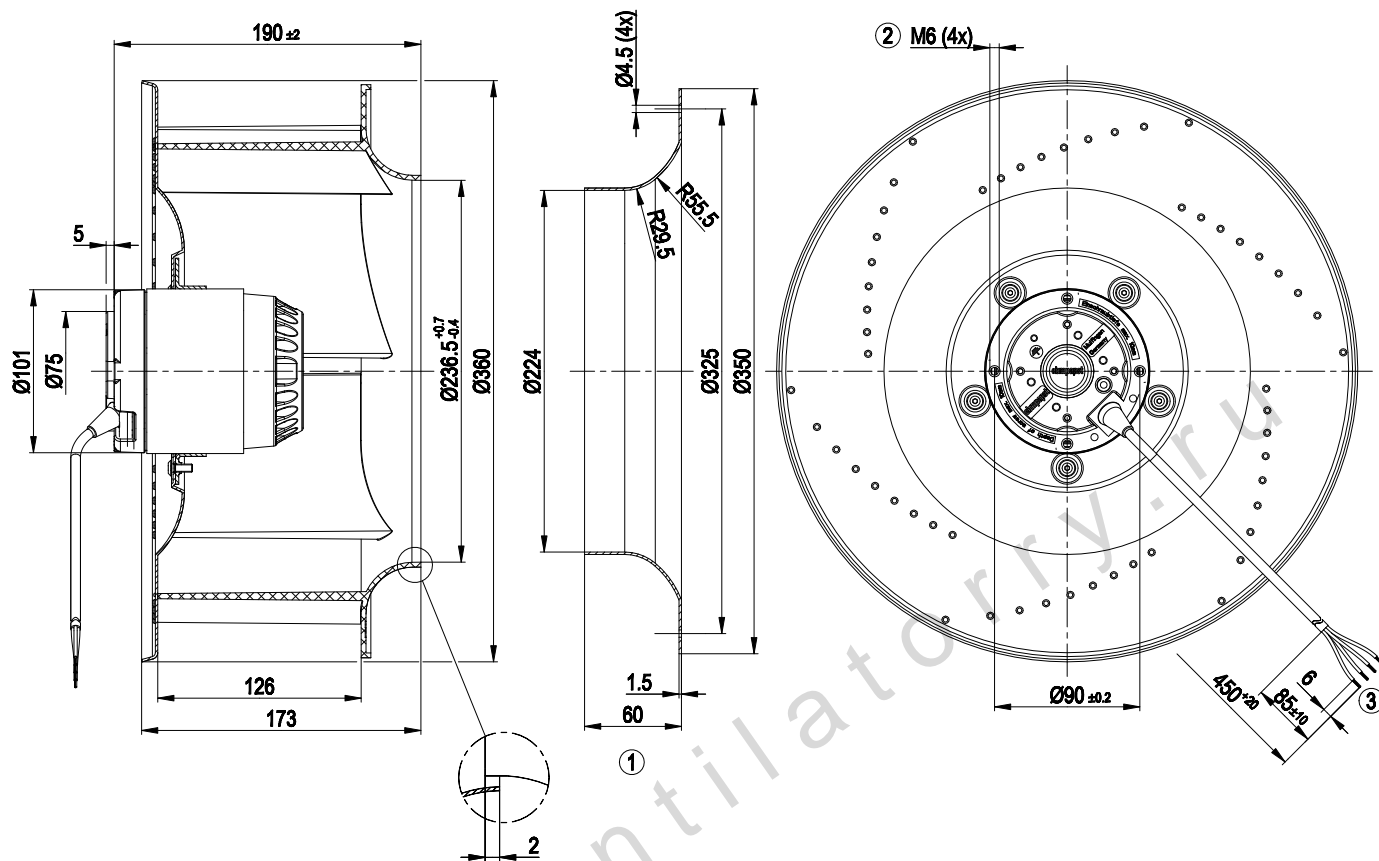


R4E355-AG01-05

AC centrifugal fan

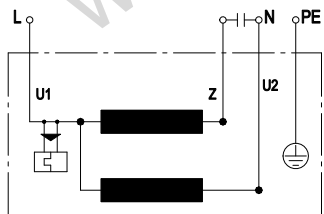
backward curved, single inlet

Product drawing



- 1 Accessory part: Inlet nozzle 51357-2-4013, not included in the standard scope of delivery
- 2 Depth of screw max. 10 mm
- 3 Connection line PVC 4G 0.5 mm², 4x brass lead tips crimped

Connection screen



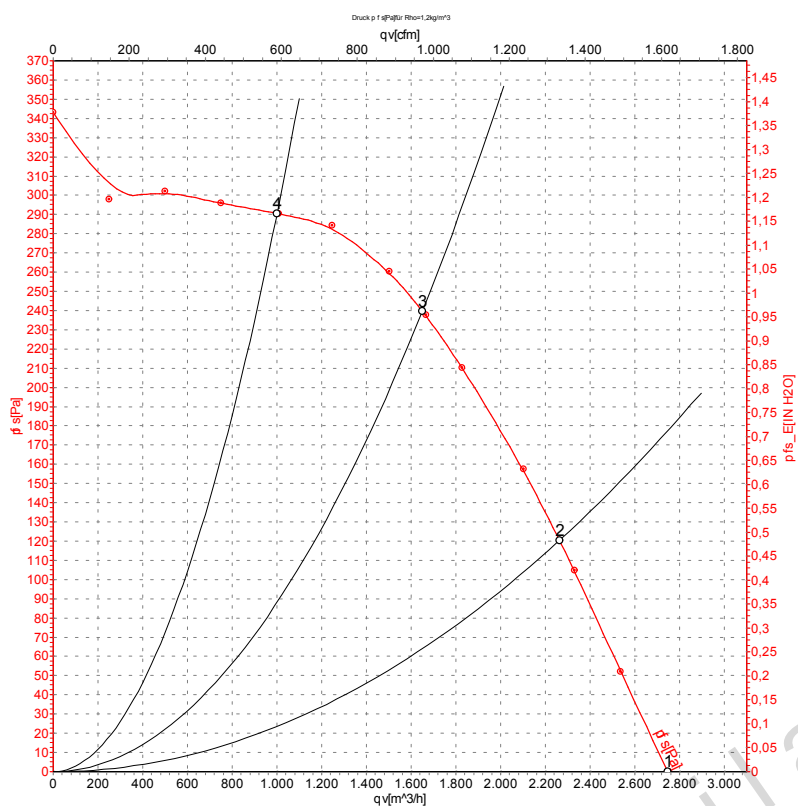
U1	blue	Z	brown	U2	black
PE	green/yellow				

R4E355-AG01-05

AC centrifugal fan

backward curved, single inlet

Charts: Air flow 50 Hz



Measurement: LU-67293

Air performance measured as per ISO 5801 Installation category A. For detailed information on the measuring set-up, please contact ebm-papst. Suction-side noise levels: L_{wA} measured as per ISO 13347 / L_{pA} measured with 1m distance to fan axis. The values given are valid under the measuring conditions mentioned above and may vary according to the actual installation situation. With any deviation from the standard set-up, the specific values have to be checked and reviewed with the unit installed.

Measured values

	U	f	n	P _e	I	qv	p _{fs}
	V	Hz	min ⁻¹	W	A	m ³ /h	Pa
1	230	50	1400	215	1.00	2745	0
2	230	50	1385	239	1.10	2265	120
3	230	50	1365	262	1.19	1650	240
4	230	50	1385	242	1.11	1000	290

U = Supply voltage · f = Frequency · n = Speed · P_e = Power input · I = Current draw · qv = Air flow · p_{fs} = Pressure increase

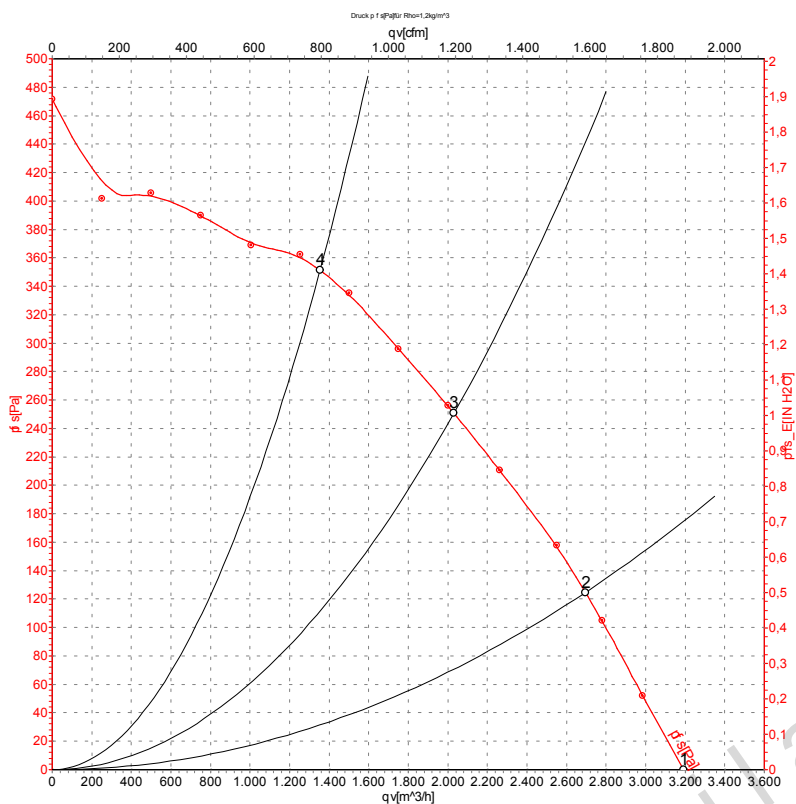


R4E355-AG01-05

AC centrifugal fan

backward curved, single inlet

Charts: Air flow 60 Hz



Measurement: LU-67294

Air performance measured as per ISO 5801 Installation category A. For detailed information on the measuring set-up, please contact ebm-papst. Suction-side noise levels: LwA measured as per ISO 13347 / LpA measured with 1m distance to fan axis. The values given are valid under the measuring conditions mentioned above and may vary according to the actual installation situation. With any deviation from the standard set-up, the specific values have to be checked and reviewed with the unit installed.

Measured values

	U	f	n	P _e	I	qv	P _{fs}
	V	Hz	min ⁻¹	W	A	m ³ /h	Pa
1	230	60	1630	300	1.32	3190	0
2	230	60	1575	332	1.45	2695	125
3	230	60	1500	368	1.60	2030	250
4	230	60	1525	356	1.55	1355	350

U = Supply voltage · f = Frequency · n = Speed · P_e = Power input · I = Current draw · qv = Air flow · P_{fs} = Pressure increase

