

R4E310-AT06-01

AC centrifugal fan

backward curved, single inlet



ebm-papst Mulfingen GmbH & Co. KG

Bachmühle 2

D-74673 Mulfingen

Phone +49 7938 81-0

Fax +49 7938 81-110

info1@de.ebmpapst.com

www.ebmpapst.com

Nominal data

Type	R4E310-AT06-01		
Motor	M4E068-EC		
Phase		1~	1~
Nominal voltage	VAC	230	230
Frequency	Hz	50	60
Type of data definition		rfa	rfa
Valid for approval / standard		CE	CE
Speed	min ⁻¹	1400	1600
Power input	W	105	140
Current draw	A	0.5	0.62
Motor capacitor	µF	4	4
Capacitor voltage	VDB	400	400
Capacitor standard		P0 (CE)	P0 (CE)
Min. back pressure	Pa	0	0
Max. ambient temperature	°C	55	55

ml = max. load · me = max. efficiency · rfa = running at free air · cs = customer specs · cu = customer unit
Subject to alterations

R4E310-AT06-01

AC centrifugal fan

backward curved, single inlet

Technical features

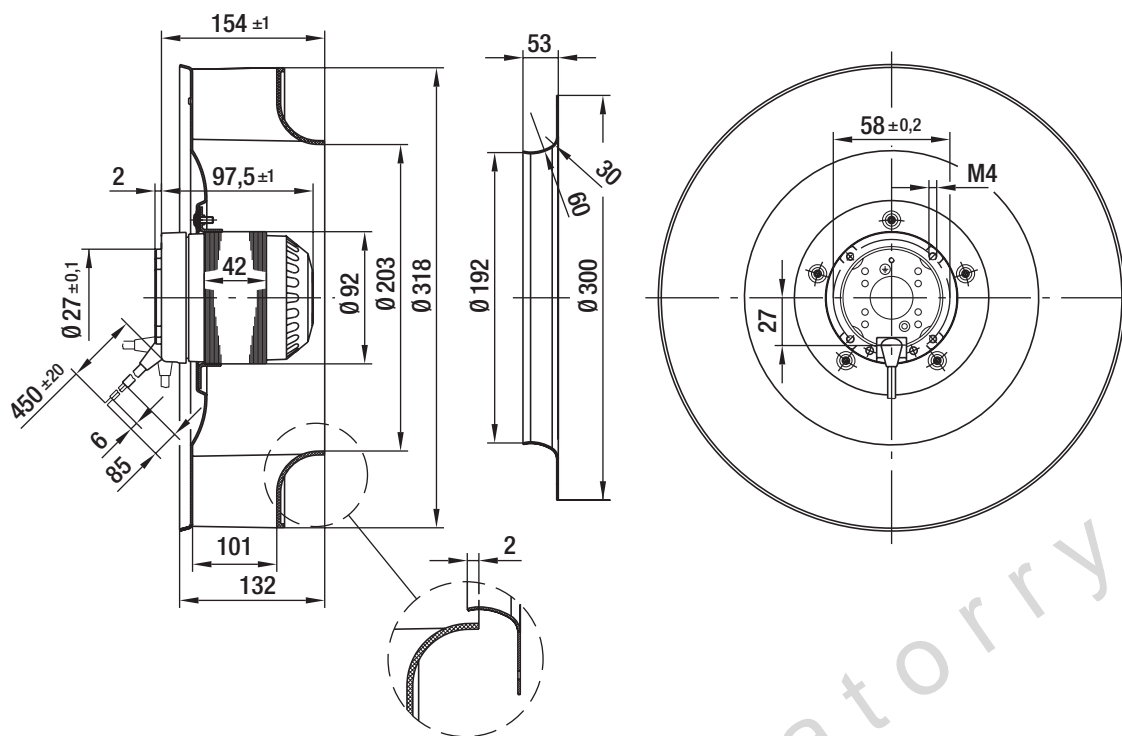
Leakage current	< 0.75 mA
Size	310 mm
Operation mode	Continuous operation (S1)
Direction of rotation	Clockwise, seen on rotor
Humidity class	F1-2
Insulation class	"B"
Cable exit	Axial
Motor bearing	Ball bearing
Mass	3.5 kg
Material of electronics housing	Rotor: Coated in black
Material of impeller	PA plastic 6.6
Motor protection	Thermal overload protector (TOP) wired internally
Product conforming to standard	CE
Number of blades	6
Type of protection	IP 44
Protection class	I
Approval	CCC

R4E310-AT06-01

AC centrifugal fan

backward curved, single inlet

Product drawing



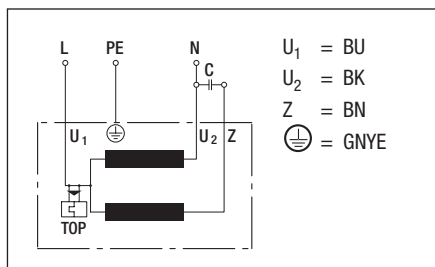
www.ventilatorry.ru

R4E310-AT06-01

AC centrifugal fan

backward curved, single inlet

Connection screen



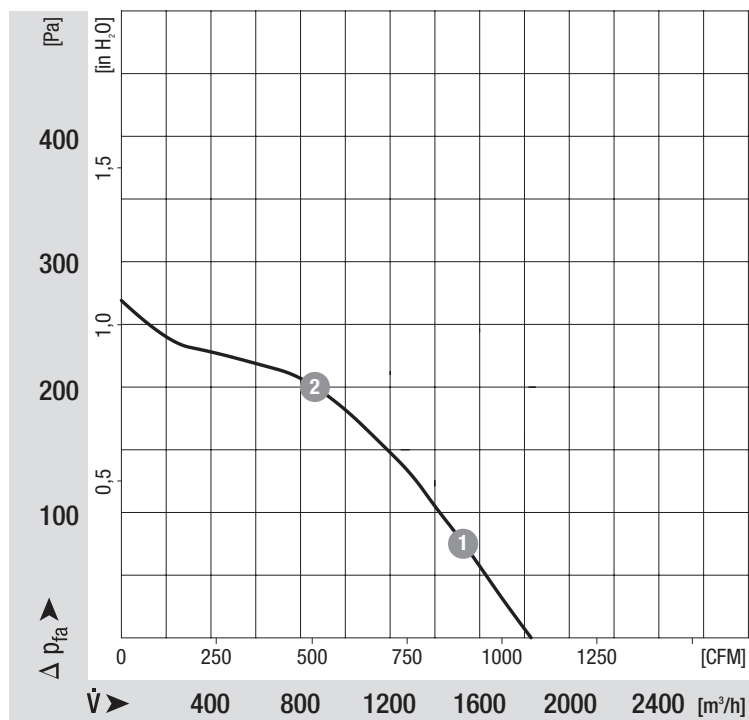
www.ventilatorry.ru

R4E310-AT06-01

AC centrifugal fan

backward curved, single inlet

Charts: Air flow 50 Hz



Measured values

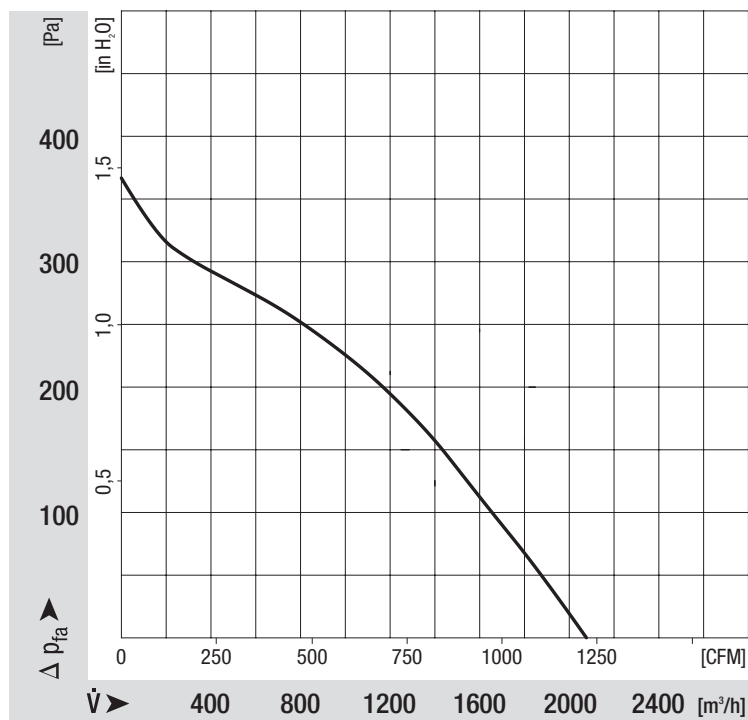
	n	P _e	I
	min ⁻¹	W	A
1	1380	118	0.56
2	1360	127	0.60

R4E310-AT06-01

AC centrifugal fan

backward curved, single inlet

Charts: Air flow 60 Hz



www.ventilatorry.ru