

R4E250-AH01-05

# AC centrifugal fan

backward curved, single inlet



**ebm-papst Mulfingen GmbH & Co. KG**

Bachmühle 2

D-74673 Mulfingen

Phone: +49(0)7938/81-0

Fax: +49(0)7938/81-110

info1@de.ebmpapst.com

www.ebmpapst.com

## Nominal data

<b>Type</b>	<b>R4E250-AH01-05</b>		
<b>Motor</b>	<b>M4E068-CF</b>		
Phase		1~	1~
Nominal voltage	[V]	230	230
Frequency	[Hz]	50	60
Type of data definition		rfa	rfa
Valid for approval / standard		CE	CE
Speed	[min <sup>-1</sup> ]	1400	1600
Power input	[W]	43	43
Current draw	[A]	0.20	0.20
Motor capacitor	[µF]	1.5	1.0
Capacitor voltage	[VDB]	400	400
Capacitor standard		P0 (CE)	P0 (CE)
Min. back pressure	[Pa]	0	0
Max. ambient temperature	[°C]	60	60

ml = max. load · me = max. efficiency · rfa = running at free air · cs = customer specs · cu = customer unit  
Subject to alterations

www.ventilatorry.ru

R4E250-AH01-05

## AC centrifugal fan

backward curved, single inlet

## Technical features

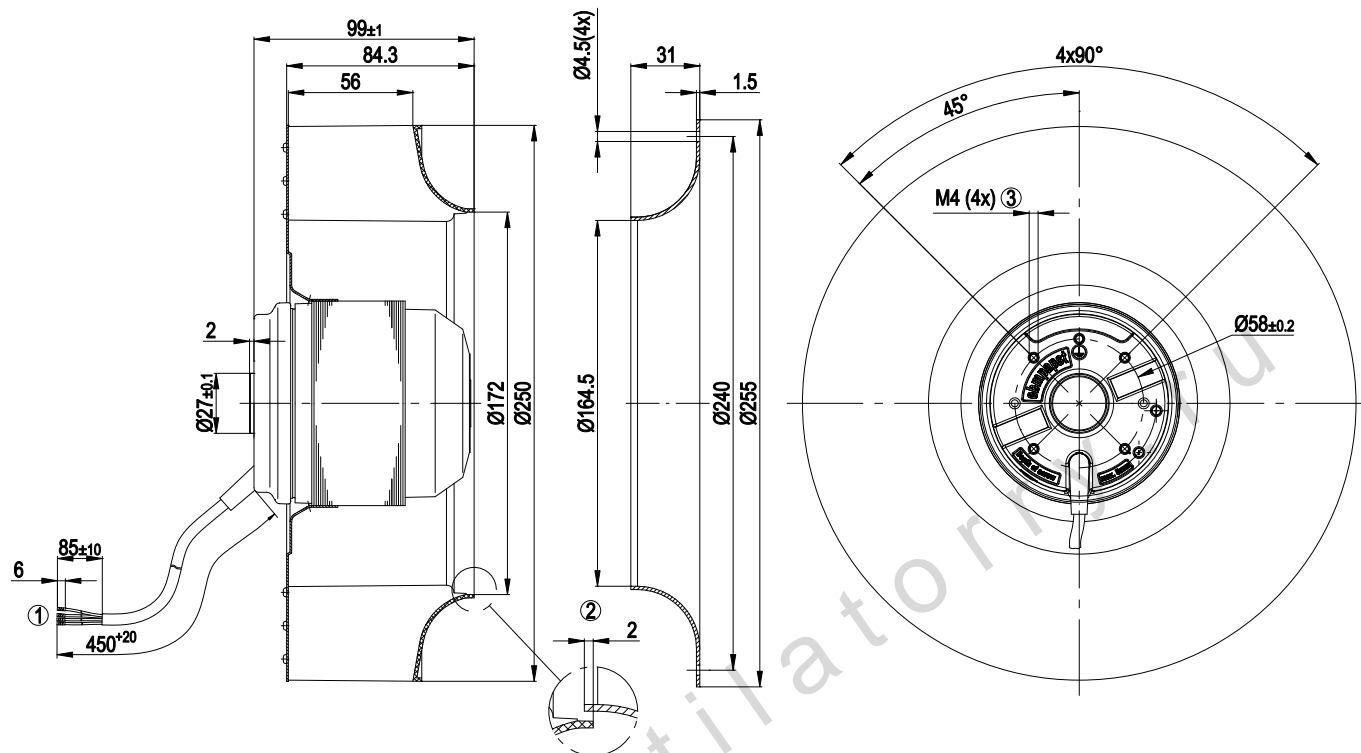
Leakage current	< 0.75 mA
Size	250 mm
Operation mode	S1
Direction of rotation	Clockwise, seen on rotor
Mounting position	Shaft horizontal or rotor on bottom; rotor on top on request
Humidity class	F1-2
Insulation class	"B"
Cable exit	Variable
Condensate discharge holes	Rotor-side
Bearing motor	Ball bearing
Mass	1.96 kg
Material of impeller	PA plastic, black
Motor protection	Thermal overload protector (TOP) wired internally
Product conforming to standard	CE; EN 60335-1
Surface of rotor	Coated in black
Number of blades	11
Type of protection	IP 44; Depending on installation and position as per EN 60034-5
Protection class	I
Max. permissible ambient motor temp. (transp./ storage)	+ 80 °C
Min. permissible ambient motor temp. (transp./storage)	- 40 °C
Approval	CCC; GOST

R4E250-AH01-05

# AC centrifugal fan

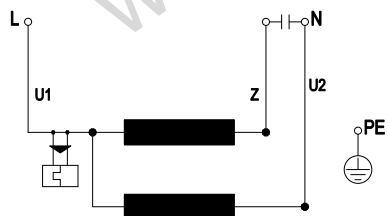
backward curved, single inlet

## Product drawing



- |   |   |
|---|---|
| 1 | Connection line PVC 4 x 0.5 mm <sup>2</sup> ; 4 x brass lead tips crimped                 |
| 2 | Accessory part: Inlet nozzle 96359-2-4013, not included in the standard scope of delivery |
| 3 | Depth of screw max. 5 mm  |

## Connection screen



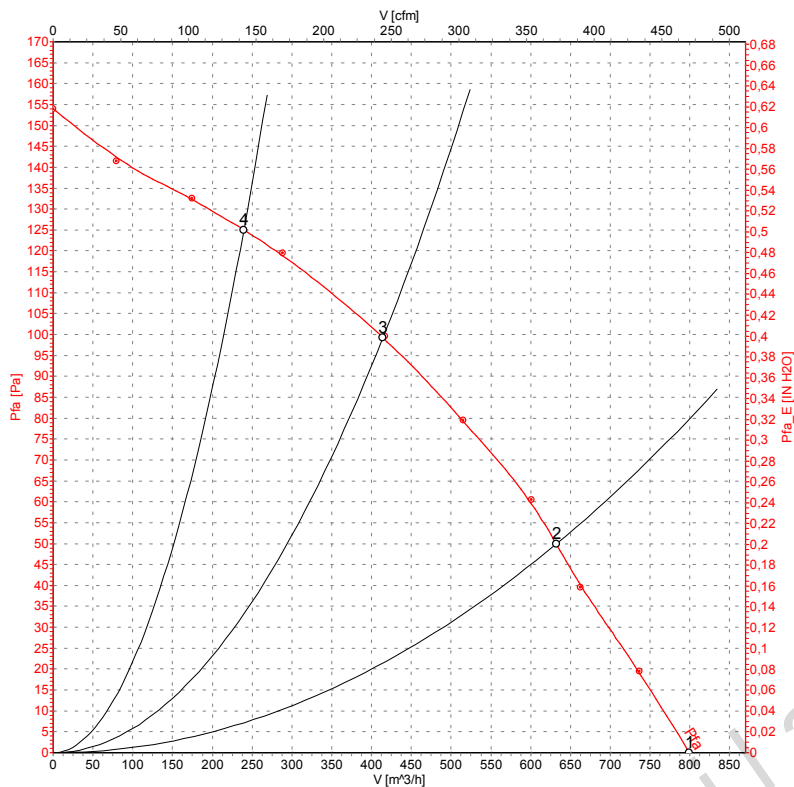
U1	blue	Z	brown	U2	black
PE	green/yellow				

R4E250-AH01-05

# AC centrifugal fan

backward curved, single inlet

## Charts: Air flow 50 Hz



Measurement: LU-57245

### Measured values

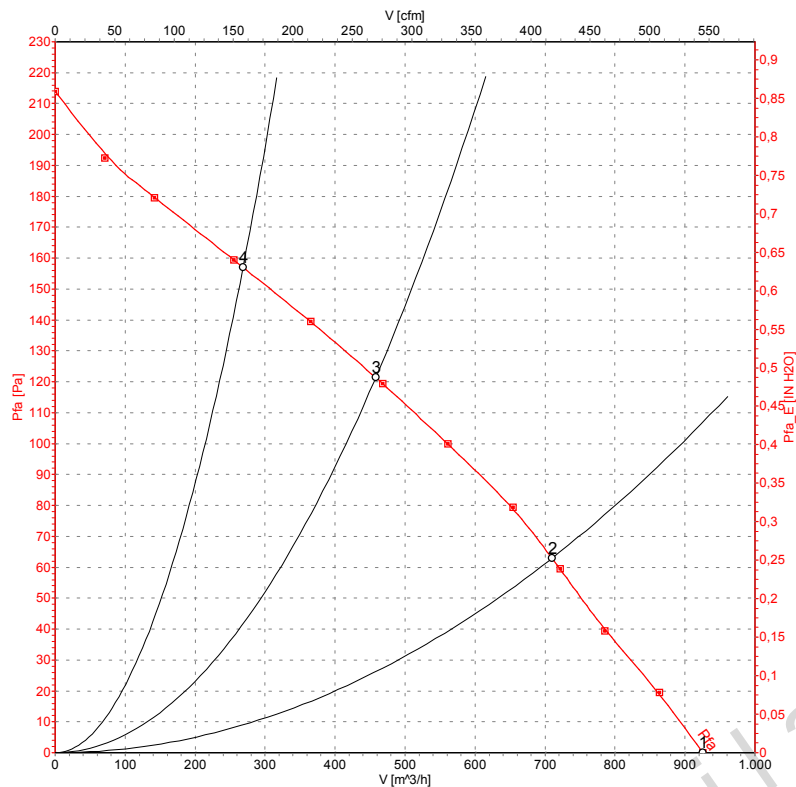
	U	f	n	P <sub>1</sub>	I	Ṃ	P <sub>fa</sub>
	[V]	[Hz]	[min <sup>-1</sup> ]	[W]	[A]	[m³/h]	[Pa]
1	230	50	1400	43	0.20	800	0
2	230	50	1370	45	0.21	630	50
3	230	50	1355	47	0.22	415	100
4	230	50	1370	45	0.21	240	125

R4E250-AH01-05

# AC centrifugal fan

backward curved, single inlet

## Charts: Air flow 60 Hz



Measurement: LU-57246

### Measured values

	U	f	n	$P_1$	I	$\hat{V}$	$P_{fa}$
	[V]	[Hz]	[min <sup>-1</sup> ]	[W]	[A]	[m³/h]	[Pa]
1	230	60	1600	43	0.20	925	0
2	230	60	1525	50	0.23	710	63
3	230	60	1485	53	0.24	460	122
4	230	60	1530	50	0.22	270	157