

R4E225-AT01-05

# AC centrifugal fan

backward curved



**ebm-papst Mulfingen GmbH & Co. KG**

Bachmühle 2

D-74673 Mulfingen

Phone: +49(0)7938/81-0

Fax: +49(0)7938/81-110

info1@de.ebmpapst.com

www.ebmpapst.com

## Nominal data

<b>Type</b>	<b>R4E225-AT01-05</b>		
<b>Motor</b>	<b>M4E068-CF</b>		
Phase		1~	1~
Nominal voltage	[V]	230	230
Frequency	[Hz]	50	60
Type of data definition		rfa	rfa
Valid for approval / standard		CE	CE
Speed	[min <sup>-1</sup> ]	1420	1660
Power input	[W]	40	37
Current draw	[A]	0.20	0.18
Motor capacitor	[µF]	1.5	1.0
Capacitor voltage	[VDB]	400	400
Min. back pressure	[Pa]	0	0
Max. ambient temperature	[°C]	50	55

ml = max. load · me = max. efficiency · rfa = running at free air · cs = customer specs · cu = customer unit  
Subject to alterations

www.ventilatorry.ru

R4E225-AT01-05

## AC centrifugal fan

backward curved

## Technical features

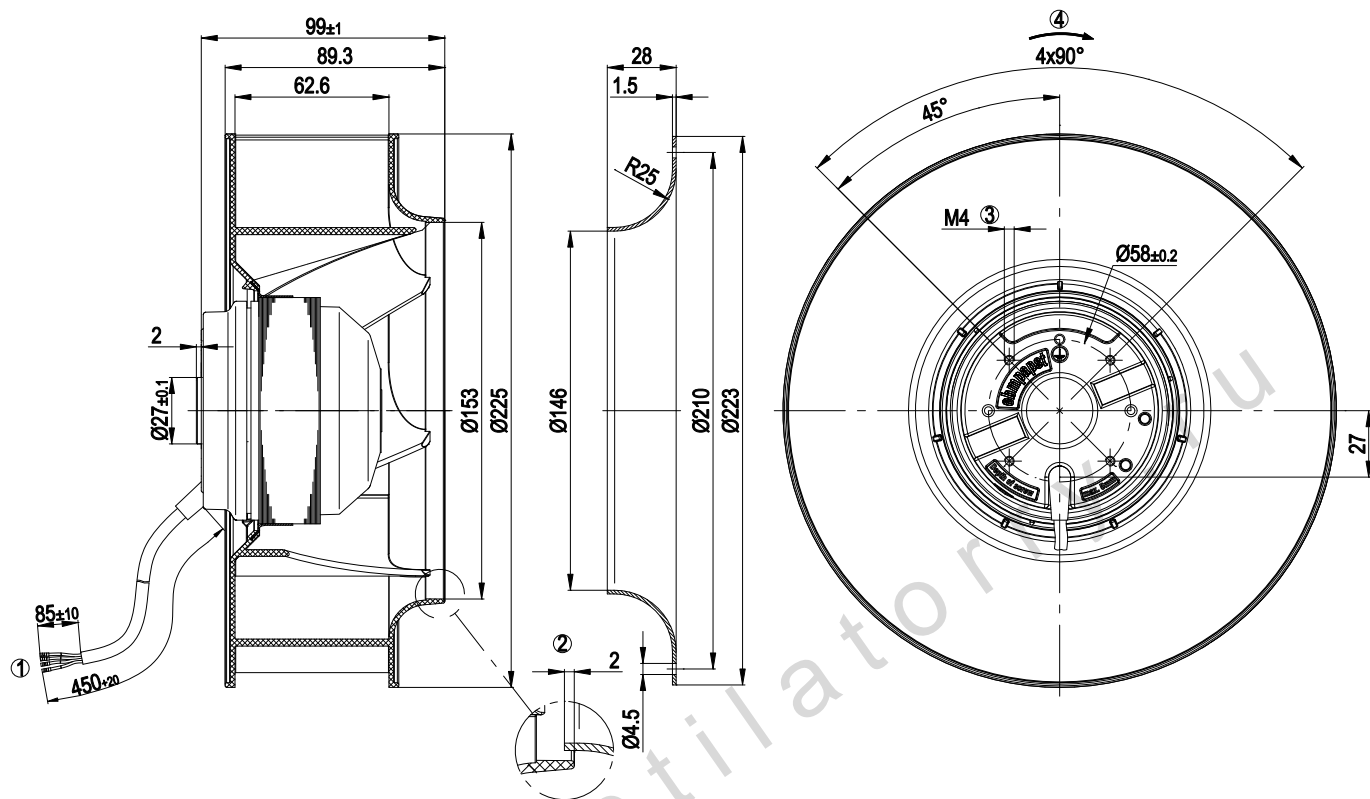
Leakage current	< 0.75 mA
Size	225 mm
Operation mode	S1
Direction of rotation	Clockwise, seen on rotor
Mounting position	Shaft horizontal or rotor on bottom; rotor on top on request
Humidity class	F1-2
Insulation class	"B"
Cable exit	Variable
Condensate discharge holes	Rotor-side
Bearing motor	Ball bearing
Mass	1.8 kg
Material of impeller	PA plastic 6, fibreglass-reinforced
Motor protection	Thermal overload protector (TOP) wired internally
Product conforming to standard	CE; EN 60335-1
Surface of rotor	Coated in black
Number of blades	7
Type of protection	IP 44; Depending on installation and position as per EN 60034-5
Protection class	I
Max. permissible ambient motor temp. (transp./ storage)	+ 80 °C
Min. permissible ambient motor temp. (transp./storage)	- 40 °C
Approval	CCC

R4E225-AT01-05

# AC centrifugal fan

backward curved

## Product drawing



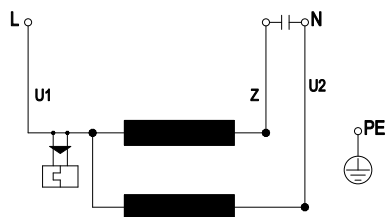
1	Connection line PVC, 4x brass lead tips crimped
2	Accessory part: Inlet nozzle 96358-2-4013, not included in the standard scope of delivery
3	Screw depth max. 5 mm
4	Direction of rotation clockwise, seen on rotor

R4E225-AT01-05

# AC centrifugal fan

backward curved

## Connection screen



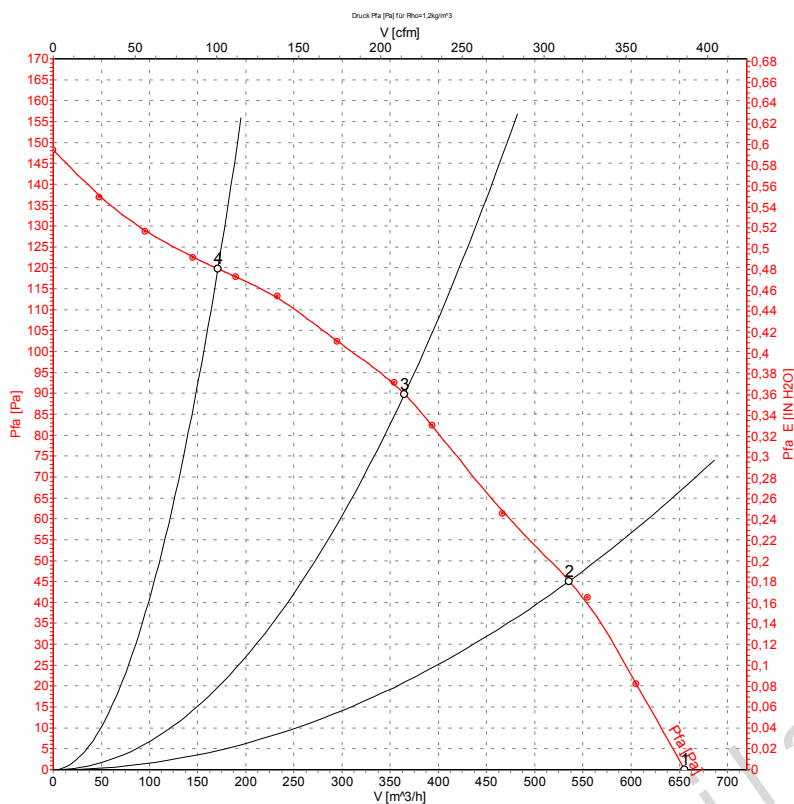
U1	blue	Z	brown	U2	black
PE	green/yellow				

www.ventilatorry.ru

R4E225-AT01-05

AC centrifugal fan  
backward curved

Charts: Air flow 50 Hz



Measurement: LU-55534

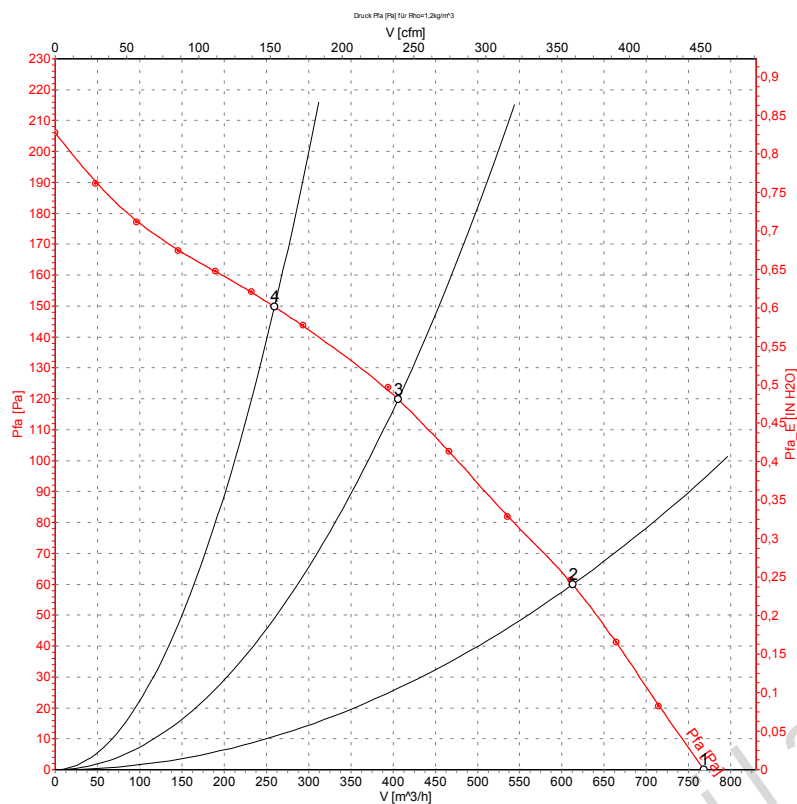
Measured values

	U	f	n	P <sub>1</sub>	I	Ṃ	P <sub>fa</sub>
	[V]	[Hz]	[min <sup>-1</sup> ]	[W]	[A]	[m³/h]	[Pa]
1	230	50	1420	40	0.20	655	0
2	230	50	1405	42	0.21	535	46
3	230	50	1400	42	0.21	365	90
4	230	50	1415	41	0.20	170	120

R4E225-AT01-05

AC centrifugal fan  
backward curved

Charts: Air flow 60 Hz



Measured values

	U	f	n	P <sub>1</sub>	I	Ṃ	P <sub>fa</sub>
	[V]	[Hz]	[min <sup>-1</sup> ]	[W]	[A]	[m <sup>3</sup> /h]	[Pa]
1	230	60	1660	37	0.18	765	0
2	230	60	1605	43	0.20	615	61
3	230	60	1600	44	0.20	405	120
4	230	60	1615	42	0.19	260	150