

R2E250-AV65-01

# AC centrifugal fan

backward curved, single inlet

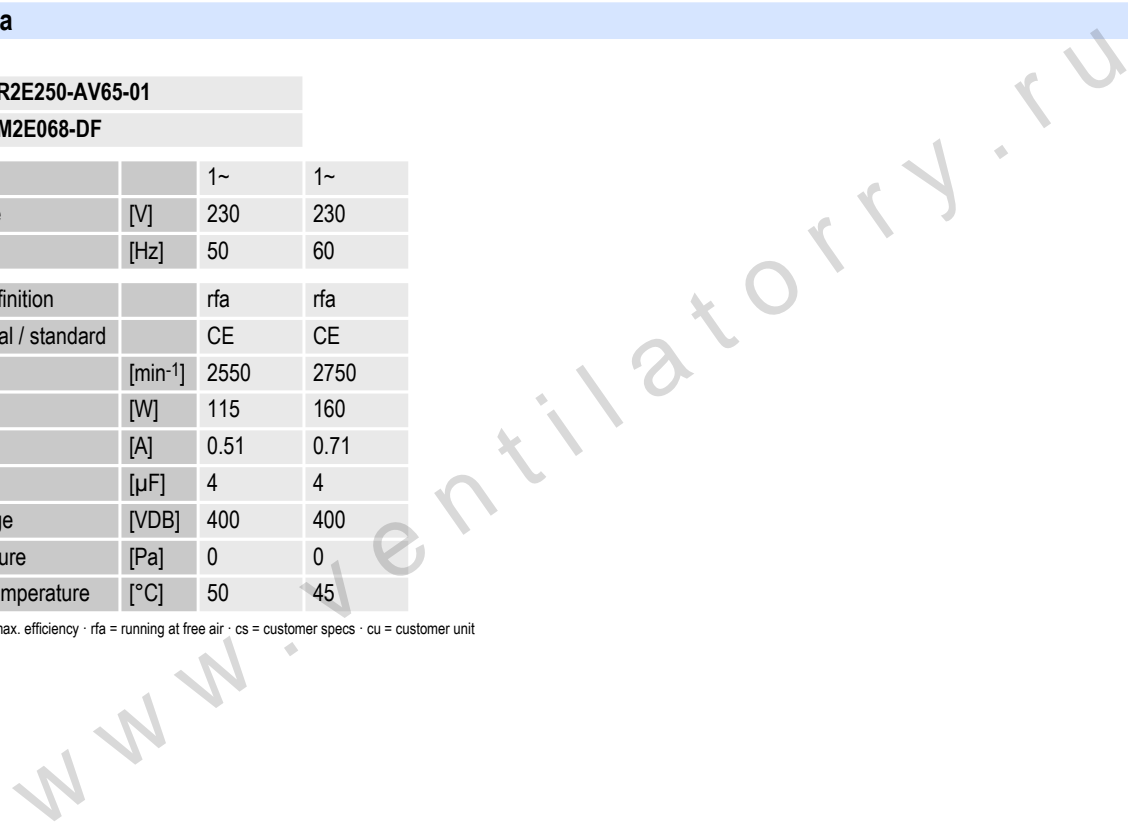
**ebm-papst Mulfingen GmbH & Co. KG**

Bachmühle 2  
 74673 Mulfingen  
 Phone: +49 7938 81-0  
 Fax: +49 7938 81-110  
 www.ebmpapst.com  
 info1@de.ebmpapst.com

**Nominal data**

Type	R2E250-AV65-01		
Motor	M2E068-DF		
Phase		1~	1~
Nominal voltage	[V]	230	230
Frequency	[Hz]	50	60
Type of data definition		rfa	rfa
Valid for approval / standard		CE	CE
Speed	[min <sup>-1</sup> ]	2550	2750
Power input	[W]	115	160
Current draw	[A]	0.51	0.71
Motor capacitor	[µF]	4	4
Capacitor voltage	[VDB]	400	400
Min. back pressure	[Pa]	0	0
Max. ambient temperature	[°C]	50	45

ml = max. load · me = max. efficiency · rfa = running at free air · cs = customer specs · cu = customer unit  
 Subject to alterations



R2E250-AV65-01

# AC centrifugal fan

backward curved, single inlet

## Technical features

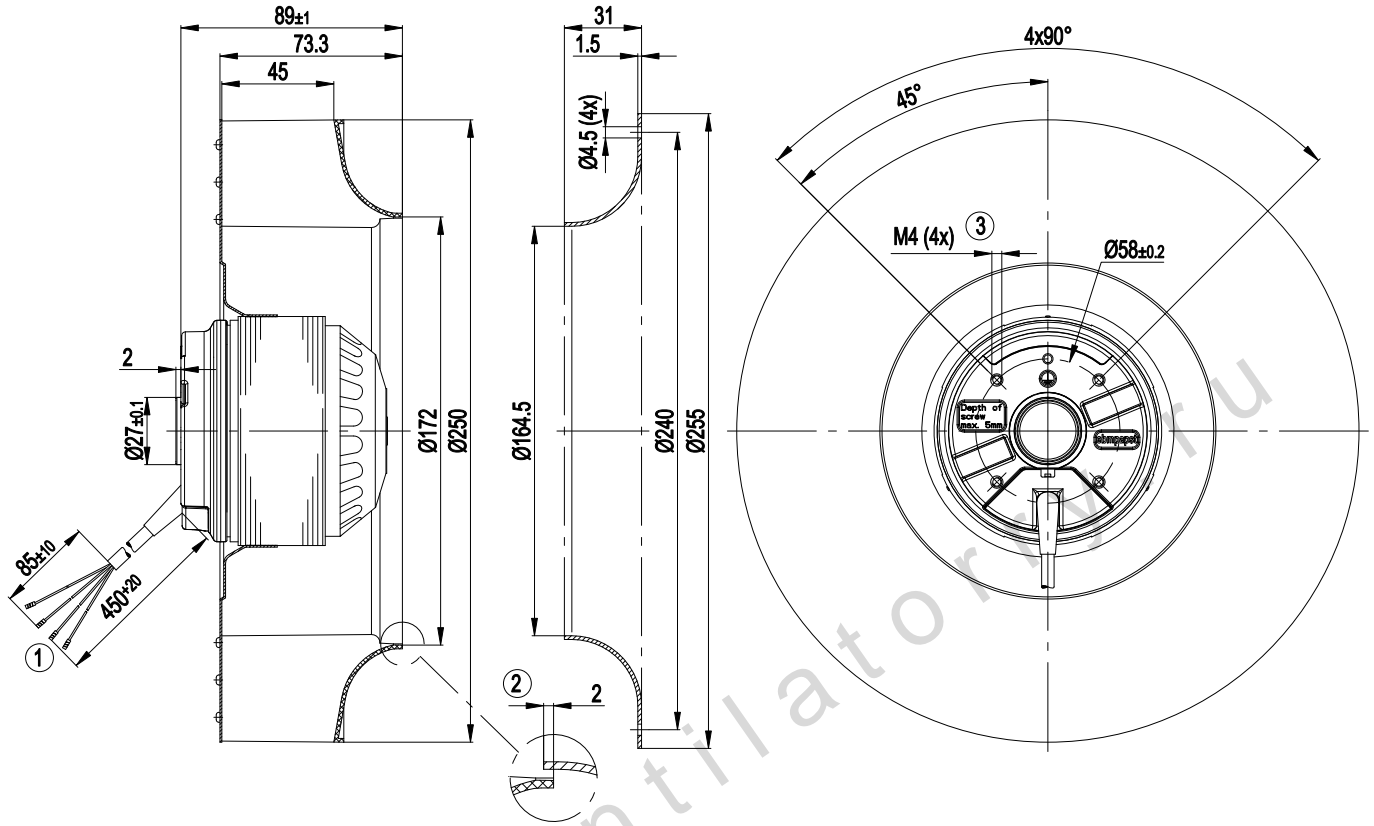
Leakage current	< 0,75 mA
Size	250 mm
Operation mode	S1
Direction of rotation	Clockwise, seen on rotor
Mounting position	Shaft horizontal or rotor on bottom; rotor on top on request
Humidity class	F1-2
Insulation class	"B"
Cable exit	Variable
Condensate discharge holes	Rotor-side
Bearing motor	Ball bearing
Mass	2.5 kg
Material of impeller	PA plastic
Motor protection	Thermal overload protector (TOP) wired internally
Product conforming to standard	CE; EN 60335-1
Surface of rotor	Coated in black
Number of blades	11
Type of protection	IP 44 - depending on position
Protection class	I
Max. permissible ambient motor temp. (transp./ storage)	+ 80 °C
Min. permissible ambient motor temp. (transp./storage)	- 40 °C
Approval	CCC

R2E250-AV65-01

# AC centrifugal fan

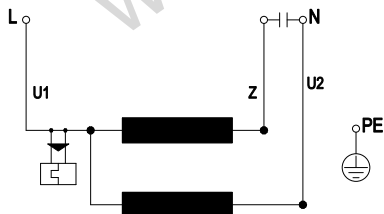
backward curved, single inlet

## Product drawing



1	Connection line PVC, 4x brass lead tips crimped
2	Accessory part: Inlet nozzle 96359-2-4013, not included in the standard scope of delivery
3	Depth of screw max. 5 mm

## Connection screen



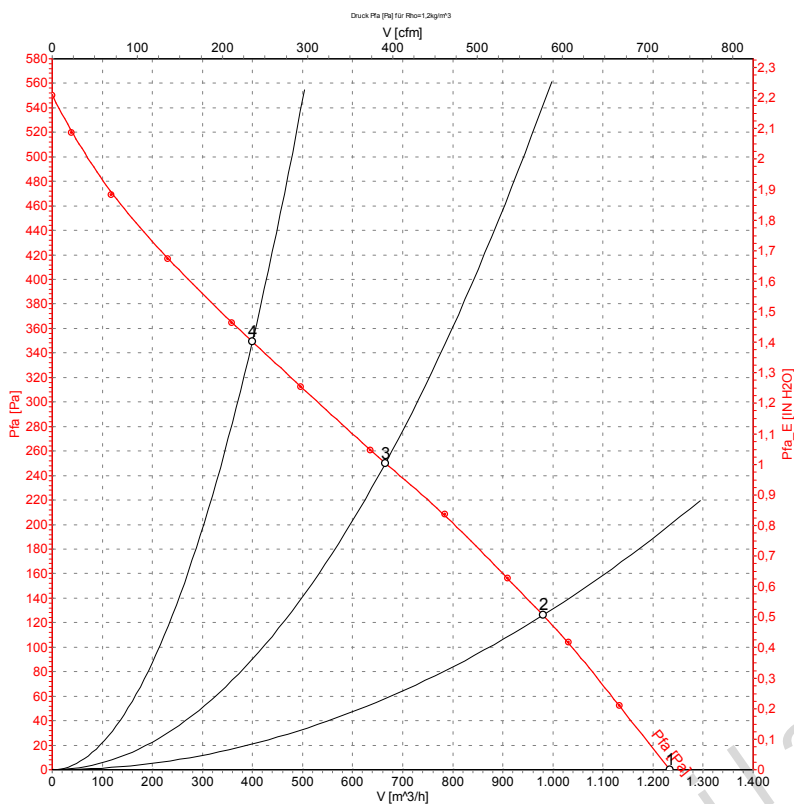
U1	blue	Z	brown	U2	black
PE	green/yellow				

R2E250-AV65-01

# AC centrifugal fan

backward curved, single inlet

## Charts: Air flow 50 Hz



### Measured values

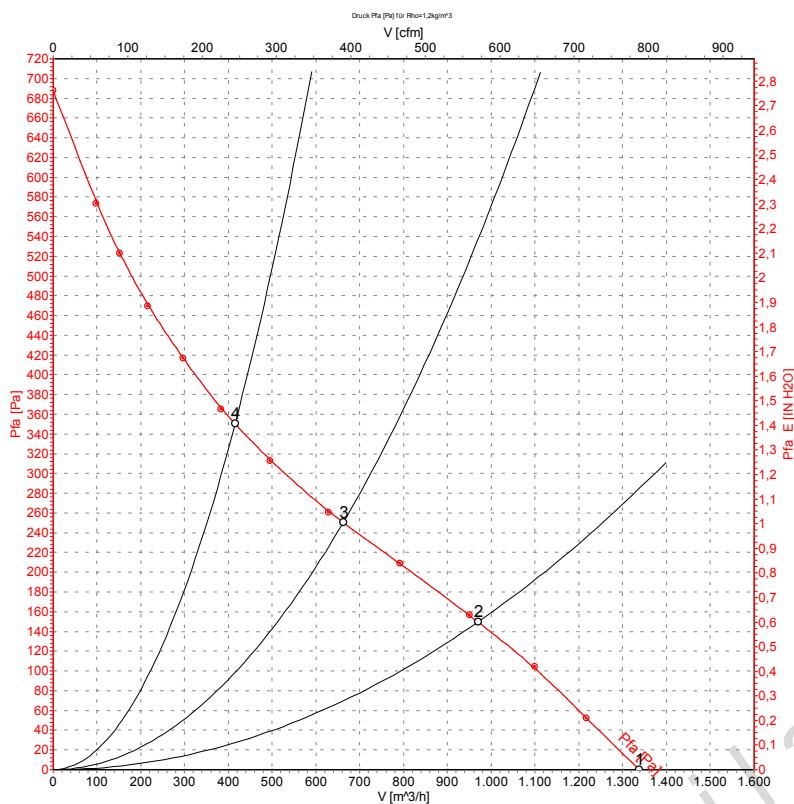
	U	f	n	P <sub>1</sub>	I	Ṃ	P <sub>fa</sub>
	[V]	[Hz]	[min <sup>-1</sup> ]	[W]	[A]	[m <sup>3</sup> /h]	[Pa]
1	230	50	2550	115	0.51	1235	0
2	230	50	2390	132	0.57	980	125
3	230	50	2255	145	0.63	665	250
4	230	50	2310	139	0.60	400	350

R2E250-AV65-01

# AC centrifugal fan

backward curved, single inlet

## Charts: Air flow 60 Hz



Measurement: LU-36766

### Measured values

	U	f	n	P <sub>1</sub>	I	Ŵ	P <sub>fa</sub>
	[V]	[Hz]	[min <sup>-1</sup> ]	[W]	[A]	[m <sup>3</sup> /h]	[Pa]
1	230	60	2750	160	0.71	1340	0
2	230	60	2435	177	0.78	970	150
3	230	60	2250	184	0.80	660	250
4	230	60	2330	180	0.79	415	350